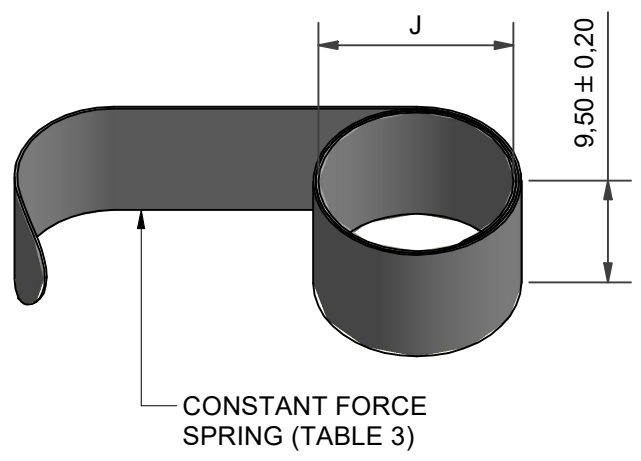
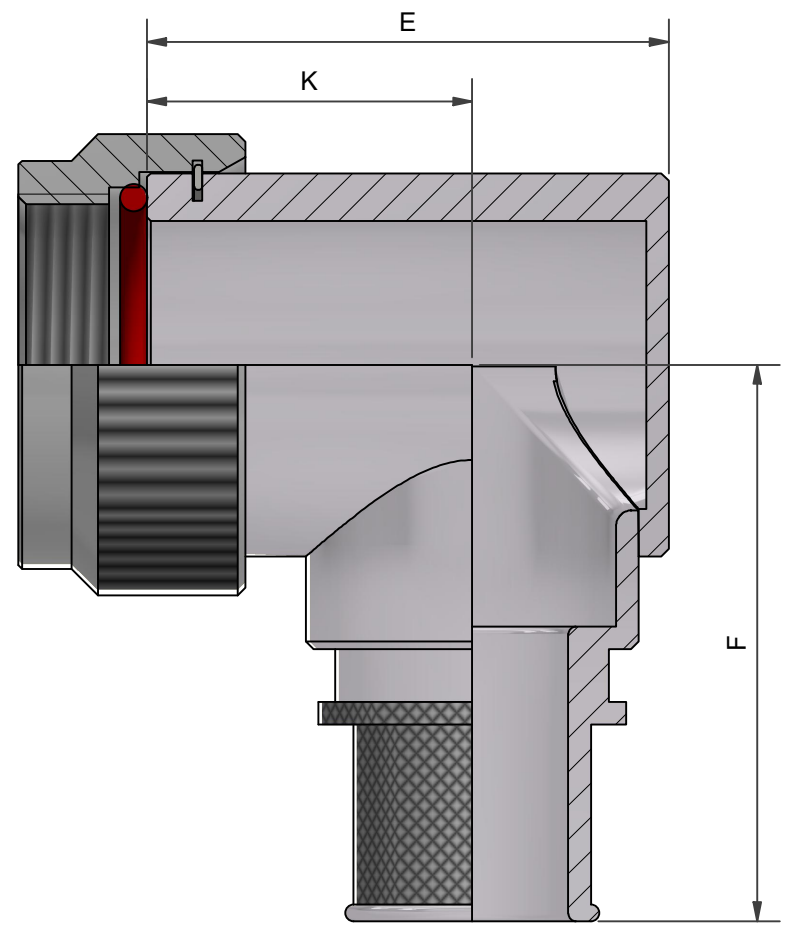
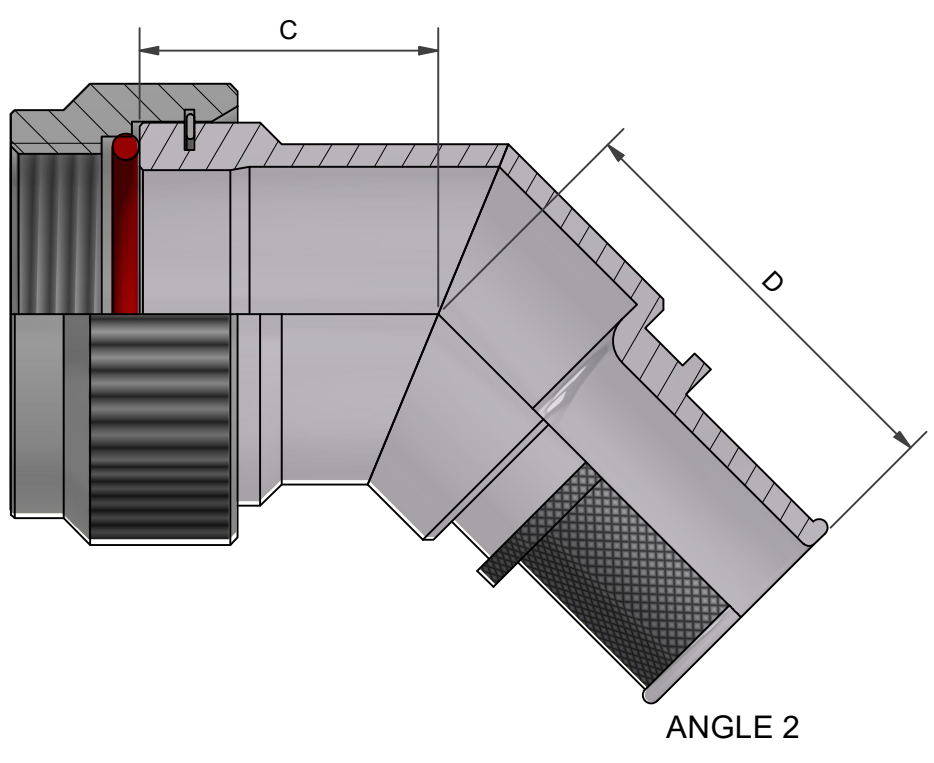
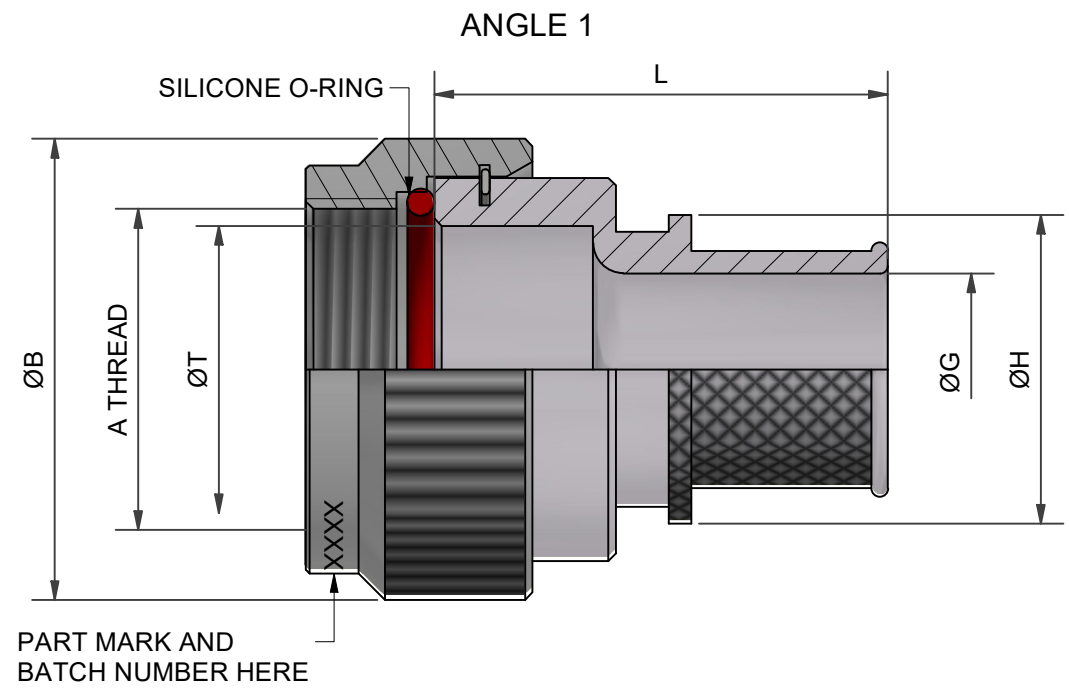


ISS / REV	DESCRIPTION	CHANGED BY	DATE
3	DCR 6180	C.W	03/03/16
AA	RELEASED TO DMTEC	I.D	22/02/19
AB	CRN 26424	N.H	01/03/24



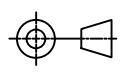

DRAWN	J.CLARK	DATE	12/11/2009	 3RD ANGLE PROJECTION NOT TO SCALE	PART NUMBER:					
SALES APPR	M.PAUL	DATE	12/11/2009		91L SERIES					
DESIGN APPR	K.SHEPPARD	DATE	12/11/2009		TITLE:					
PROD APPR	K.SMITH	DATE	12/11/2009		SPRING TERMINATION BACKSHELL					
QUAL APPR	P.REES	DATE	12/11/2009		POLAMCO					
ISSUE/REV	CRN	UNLESS OTHERWISE SPECIFIED ALL DIMENSIONS IN MILLIMETRES GENERAL TOL LINEAR +/-0,25MM ANGULAR +/- 1°			ASSY USED ON: MIL-DTL-5015		THIS DRAWING IS COPYRIGHT AND THE PROPERTY OF POLAMCO LTD IT MUST NOT BE COPIED, USED FOR MANUFACTURE OR OTHERWISE DISCLOSED WITHOUT PRIOR WRITTEN CONSENT OF THE COMPANY.			
AB	26424				MATERIAL			POLAMCO LTD, WESTON LOCK, LOWER BRISTOL ROAD BATH BA2 1EP	SHT 1	DRAWING NO: P11316
NCAGE CODE	U5792				FINISH					
WEIGHT		SEE PART NUMBER BREAKDOWN								
		SEE PART NUMBER BREAKDOWN								

TABLE 1

SHELL SIZE	A THREAD	ØB MAX	ØT MIN	C ±0,5	D MAX	E MAX	F MAX	K ±0,5	L ±0,5
08S	7/16 - 28UNEF	18,0	7,9	15,0	26,2	22,2	31,5	15,2	30,0
10S	1/2 - 28UNEF	19,5	9,4	15,4	26,9	23,7	32,7	15,7	30,0
10SL/12/12S	5/8 - 24UNEF	23,0	12,7	18,4	27,3	27,7	32,5	17,5	30,0
14/14S	3/4 - 20UNEF	26,0	15,9	19,3	28,2	31,2	35,5	19,5	30,0
16/16S	7/8 - 20UNEF	30,5	18,9	20,0	29,0	34,7	37,4	21,5	30,0
18	1 - 20UNEF	34,0	20,6	20,6	29,3	37,7	39,0	23,0	30,0
20	1 1/8 - 18UNEF	37,0	25,3	21,3	30,1	41,2	41,6	24,5	30,0
22	1 1/4 - 18UNEF	40,0	28,4	21,9	30,5	44,2	42,1	26,0	30,0
24	1 3/8 - 18UNEF	43,5	31,7	22,5	31,4	47,2	43,6	27,5	35,0
28	1 5/8 - 18UNEF	50,0	34,9	23,6	32,3	52,2	46,1	30,0	40,0
32	1 7/8 - 16UN	56,0	41,4	24,9	33,2	58,9	48,6	32,7	40,0
36	2 1/8 - 16UN	64,0	47,9	27,5	34,0	68,2	52,3	38,0	40,0
40	2 3/8 - 16UN	69,5	53,9	30,1	35,1	72,7	54,8	41,1	50,0

TABLE 2

ENTRY SIZE	G MIN	H MAX	SPRING REF:
03	4,7	13,9	HE050
04	6,3	13,9	HE050
05	7,9	15,5	HE100
06	9,5	17,2	HE100
07	11,1	18,7	HE100
08	12,7	20,3	HE200
09	14,2	21,9	HE200
10	15,8	23,5	HE200
11	17,4	25,1	HE200
12	19,0	26,7	HE300
13	20,6	28,3	HE300
14	22,2	29,9	HE300
15	23,8	31,5	HE300
16	25,4	33,1	HE300
17	27,0	34,7	HE400
18	28,6	36,3	HE400
19	30,2	37,9	HE400
20	31,8	39,5	HE400
21	33,3	41,1	HE400
22	35,0	42,7	HE400
23	36,5	44,3	HE400
24	38,1	45,9	HE400

TABLE 3

SPRING REF	J MAX (UNCONSTRAINED)
HE 050	7,5
HE 100	9,1
HE 200	12,8
HE 300	17,9
HE 400	21,8

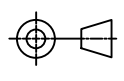

TABLE 4

CODE	FINISH
C	ELECTROLESS NICKEL
B	CADMIUM OLIVE DRAB OVER ELECTROLESS NICKEL
ZB	ZINC COBALT OLIVE DRAB OVER ELECTROLESS NICKEL
ZN	ZINC NICKEL BLACK PASSIVATE OVER ELECTROLESS NICKEL

91L1-16-08-1-C-HE200

SERIES _____
 CONNECTOR INTERFACE _____
 ANGLE _____
 SHELL SIZE (TABLE 1) _____
 ENTRY SIZE (TABLE 2) _____
 MATERIAL _____
 ALUMINIUM ALLOY
 FINISH (TABLE 4) _____
 SPRING REFERENCE (TABLE 2) _____
 SPRING REFERENCE NOT INCLUDED IN PART MARKING
 e.g 91L1-16-08-1-C [BATCH NUMBER]

REDRAWN FROM ISSUE 3

<table border="1"> <tr><td>DRAWN</td><td>J.CLARK</td><td>DATE</td><td>12/11/2009</td></tr> <tr><td>SALES APPR</td><td>M.PAUL</td><td>DATE</td><td>12/11/2009</td></tr> <tr><td>DESIGN APPR</td><td>K.SHEPPARD</td><td>DATE</td><td>12/11/2009</td></tr> <tr><td>PROD APPR</td><td>K.SMITH</td><td>DATE</td><td>12/11/2009</td></tr> <tr><td>QUAL APPR</td><td>P.REES</td><td>DATE</td><td>12/11/2009</td></tr> </table>	DRAWN	J.CLARK	DATE	12/11/2009	SALES APPR	M.PAUL	DATE	12/11/2009	DESIGN APPR	K.SHEPPARD	DATE	12/11/2009	PROD APPR	K.SMITH	DATE	12/11/2009	QUAL APPR	P.REES	DATE	12/11/2009	 <p>3RD ANGLE PROJECTION NOT TO SCALE</p>	<p>PART NUMBER:</p> <p style="text-align: center;">91L SERIES</p>	 <p>POLAMCO</p>
DRAWN	J.CLARK	DATE	12/11/2009																				
SALES APPR	M.PAUL	DATE	12/11/2009																				
DESIGN APPR	K.SHEPPARD	DATE	12/11/2009																				
PROD APPR	K.SMITH	DATE	12/11/2009																				
QUAL APPR	P.REES	DATE	12/11/2009																				
<table border="1"> <tr><td>ISSUE/REV</td><td>CRN</td></tr> <tr><td>AB</td><td>26424</td></tr> </table>	ISSUE/REV	CRN	AB	26424	<p>UNLESS OTHERWISE SPECIFIED ALL DIMENSIONS IN MILLIMETRES</p> <p>GENERAL TOL LINEAR +/-0,25MM ANGULAR +/- 1°</p> <p>MATERIAL SEE PART NUMBER BREAKDOWN</p> <p>FINISH SEE PART NUMBER BREAKDOWN</p>	<p>TITLE:</p> <p style="text-align: center;">SPRING TERMINATION BACKSHELL</p>																	
ISSUE/REV	CRN																						
AB	26424																						
<p>NCAGE CODE U5792</p>	<p>WEIGHT</p>	<p>ASSY USED ON: MIL-DTL-5015</p>	<p>THIS DRAWING IS COPYRIGHT AND THE PROPERTY OF POLAMCO LTD IT MUST NOT BE COPIED, USED FOR MANUFACTURE OR OTHERWISE DISCLOSED WITHOUT PRIOR WRITTEN CONSENT OF THE COMPANY.</p>	<p>POLAMCO LTD, WESTON LOCK, LOWER BRISTOL ROAD BATH BA2 1EP</p>	<p>SHT 2</p>	<p>DRAWING NO: P11316</p>																	