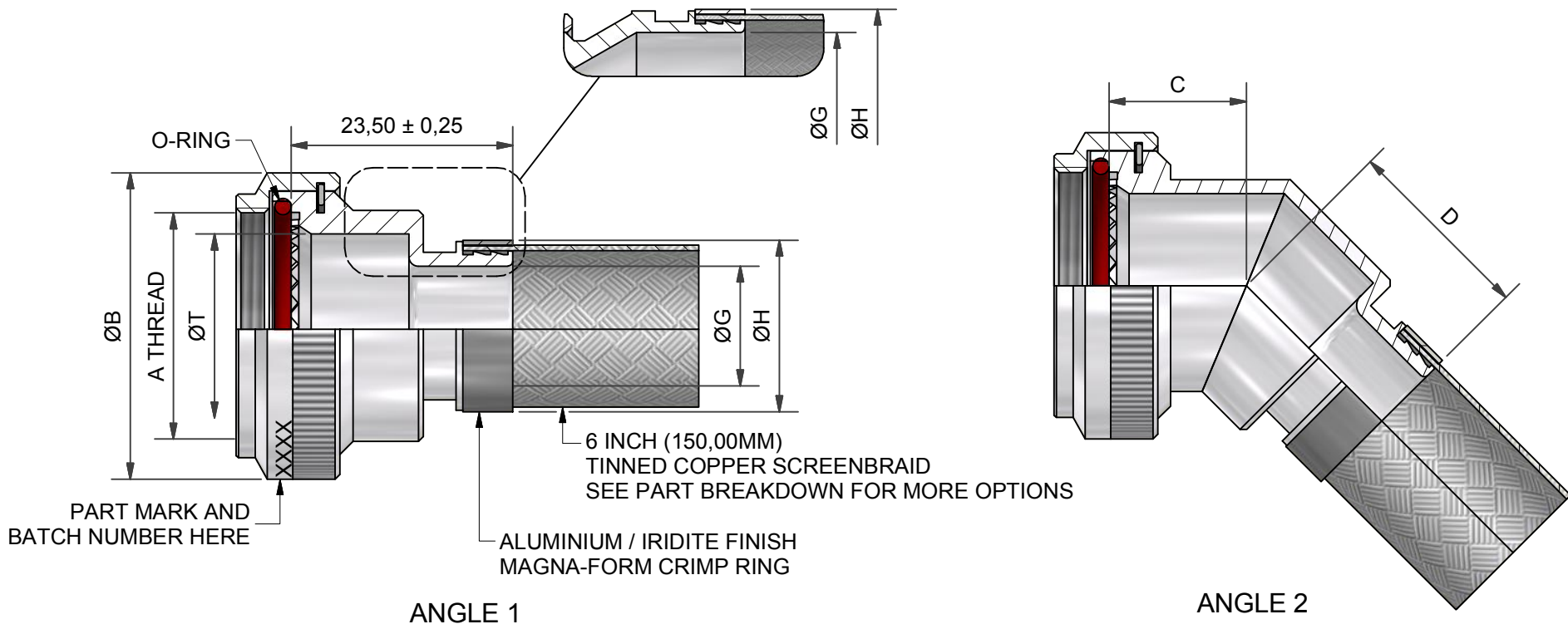
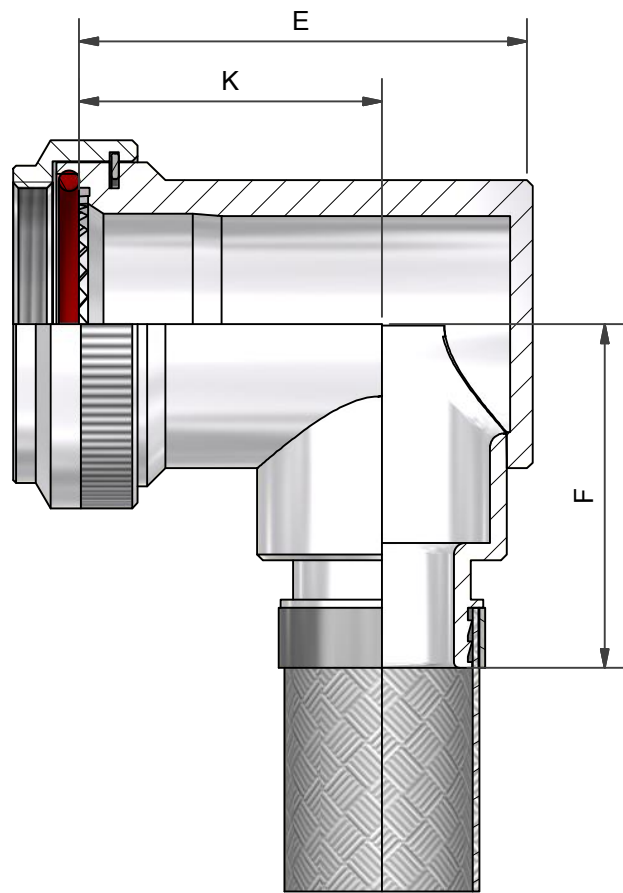


ALTERNATIVE PROFILE
INTERNAL PROFILE MAY VARY

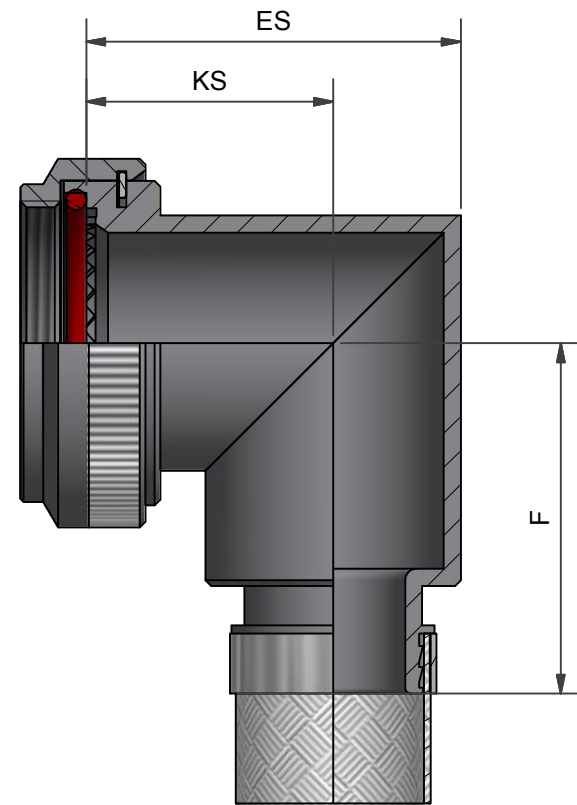


ANGLE 1

ANGLE 2



90° BACKSHELL - ANGLE 3
ALUMINIUM ALLOY



90° BACKSHELL - ANGLE 3
STAINLESS STEEL AND
NICKEL ALUMINIUM BRONZE

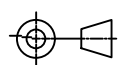


| | | | | | | | | | | | | |
|-----------------|------------------|------------|------|--|---|--|------------------|---|--|-----|---|---|
| DRAWN | | DATE | |  3RD ANGLE PROJECTION NOT TO SCALE | PART NUMBER: | | | <h1 style="text-align: center;">70H SERIES</h1> | | |  Polamco | |
| K.WINCZURA | | 25/04/2018 | | | TITLE: | | | | | | | <h2 style="text-align: center;">BRAID TAIL BACKSHELL</h2> |
| DESIGN APPROVAL | | DATE | | UNLESS OTHERWISE SPECIFIED ALL DIMENSIONS IN MILLIMETRES GENERAL TOL LINEAR +/-0,25MM ANGULAR +/- 1° | ASSY USED ON: MIL-CTL-38999 SERIES III & IV | | |  TE <small>connectivity</small> | | | | |
| K.SHEPPARD | | 18/09/2013 | | | MATERIAL SEE PART NUMBER BREAKDOWN | | | | THIS DRAWING IS COPYRIGHT AND THE PROPERTY OF POLAMCO LTD IT MUST NOT BE COPIED, USED FOR MANUFACTURE OR OTHERWISE DISCLOSED WITHOUT PRIOR WRITTEN CONSENT OF THE COMPANY. | | | POLAMCO LTD, WESTON LOCK, LOWER BRISTOL ROAD BATH BA2 1EP |
| DOC TYPE | Customer Drawing | | | FINISH SEE PART NUMBER BREAKDOWN | | | NCAGE CODE U5792 | | WEIGHT | N/A | | |
| ISSUE/REV | CA | DCR | 6777 | | | | | | | | | |

TABLE 1

| SHELL SIZE | A THREAD | ØB MAX | ØT MIN | C MAX | D ±0,5 | E MAX | F MAX | K ±0,5 | ES MAX | KS ±0,5 |
|------------|-----------|--------|--------|-------|--------|-------|-------|--------|--------|---------|
| 09 | M12 x 1.0 | 18,0 | 6,7 | 13,1 | 17,1 | 25,7 | 24,0 | 17,5 | 21,5 | 16,3 |
| 11 | M15 x 1.0 | 21,0 | 10,2 | 13,9 | 18,2 | 26,7 | 25,7 | 17,5 | 24,6 | 17,2 |
| 13 | M18 x 1.0 | 24,5 | 13,5 | 14,5 | 18,6 | 31,2 | 27,2 | 20,0 | 28,6 | 19,4 |
| 15 | M22 x 1.0 | 29,0 | 16,2 | 15,5 | 19,5 | 37,2 | 28,7 | 24,5 | 31,3 | 21,0 |
| 17 | M25 x 1.0 | 32,5 | 19,4 | 16,1 | 20,3 | 40,2 | 30,4 | 26,7 | 34,5 | 22,8 |
| 19 | M28 x 1.0 | 35,5 | 21,8 | 16,8 | 20,8 | 44,7 | 32,0 | 27,0 | 38,7 | 25,3 |
| 21 | M31 x 1.0 | 37,0 | 25,1 | 17,1 | 21,7 | 49,2 | 33,6 | 30,5 | 41,0 | 26,1 |
| 23 | M34 x 1.0 | 40,0 | 28,2 | 17,7 | 22,0 | 51,7 | 35,1 | 31,5 | 43,9 | 27,6 |
| 25 | M37 x 1.0 | 43,5 | 31,4 | 18,4 | 22,9 | 53,2 | 36,6 | 28,5 | 46,7 | 29,1 |

TABLE 2

| ENTRY SIZE | ØG MIN | ØH MAX |
|------------|--------|--------|
| 03 | 4,77 | 13,60 |
| 04 | 6,35 | 13,60 |
| 05 | 7,92 | 13,60 |
| 06 | 9,52 | 18,40 |
| 07 | 11,12 | 18,40 |
| 08 | 12,70 | 18,40 |
| 09 | 14,27 | 18,40 |
| 10 | 15,87 | 24,70 |
| 11 | 17,47 | 24,70 |
| 12 | 19,05 | 24,70 |
| 13 | 20,62 | 24,70 |
| 14 | 22,23 | 31,10 |
| 15 | 23,82 | 31,10 |
| 16 | 25,40 | 31,10 |
| 17 | 26,98 | 33,70 |
| 18 | 28,60 | 33,70 |
| 19* | 30,20 | 36,90 |
| 20** | 31,80 | 42,50 |
| 21** | 33,34 | 42,50 |
| 22** | 35,00 | 42,50 |
| 24* | 38,10 | 42,50 |

TABLE 3

| CODE | MATERIAL / FINISH |
|------|---|
| 1-C | ALUMINIUM / ELECTROLESS NICKEL |
| 1-B | ALUMINIUM / CADMIUM OLIVE DRAB OVER ELECTROLESS NICKEL |
| 1-ZB | ALUMINIUM / ZINC COBALT OLIVE DRAB OVER ELECTROLESS NICKEL |
| 1-ZK | ALUMINIUM / ZINC COBALT BLACK OVER ELECTROLESS NICKEL |
| 1-ZN | ALUMINIUM / ZINC NICKEL BLACK PASSIVATE OVER ELECTROLESS NICKEL |
| 4-J | STAINLESS STEEL / PASSIVATE |
| 2-Z | NICKEL ALUMINIUM BRONZE / SHOT BLAST |

SEE SS0076 FOR FULL RANGE OF FINISH OPTIONS

TABLE 4

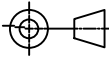

| SUFFIX | MODIFICATION OPTIONS |
|--------|---------------------------------------|
| -DB | DOUBLE BRAID |
| -N | NICKEL PLATED BRAID |
| -12 | NON-STANDARD BRAID LENGTH (IN INCHES) |

* - NOT AVAILABLE IN DB MODIFICATION

** - ADD 2,10 TO F MAX FOR DB MODIFICATION
ADD 0,80 TO ØH FOR DB MODIFICATION

70H1-17-08-1-C

SERIES _____
 CONNECTOR INTERFACE _____
 ANGLE _____
 SHELL SIZE (TABLE 1) _____
 ENTRY SIZE (TABLE 2) _____
 MATERIAL AND FINISH (TABLE 3) _____
 BRAID TAIL MODIFICATION (SEE TABLE 4) _____
 OMIT FOR STANDARD (6 INCH SINGLE LAYER TINNED COPPER)

| | | | | | | | | | | | | |
|------------------|------------------|------------|------|---|--------------|--|--|--|--|--------|--|-----|
| DRAWN | | DATE | |  3RD ANGLE PROJECTION NOT TO SCALE | PART NUMBER: | | | |  70H SERIES | | | |
| K.WINCZURA | | 25/04/2018 | | | TITLE: | | | | | | | |
| DESIGN APPROVAL | | DATE | | UNLESS OTHERWISE SPECIFIED ALL DIMENSIONS IN MILLIMETRES GENERAL TOL LINEAR +/-0,25MM ANGULAR +/- 1° | | | | | ASSY USED ON: MIL-CTL-38999 SERIES III & IV | | | |
| K.SHEPPARD | | 18/09/2013 | | | | | | MATERIAL SEE PART NUMBER BREAKDOWN FINISH SEE PART NUMBER BREAKDOWN | | | | |
| DOC TYPE | Customer Drawing | | | POLAMCO LTD, WESTON LOCK, LOWER BRISTOL ROAD BATH BA2 1EP | | | | | | | | SHT |
| ISSUE/REV | CA | DCR | 6777 | | | | | 2 | | P29235 | | |
| NCAGE CODE U5792 | | WEIGHT N/A | | | | | | | | | | |