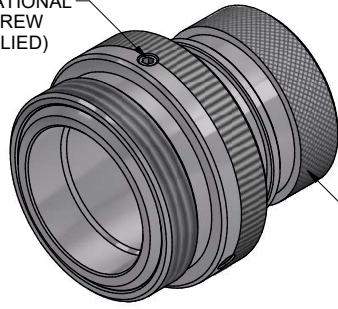


ANTI-ROTATIONAL  
SET SCREW  
(1 SUPPLIED)



MEDIUM DIAMOND  
KNURL

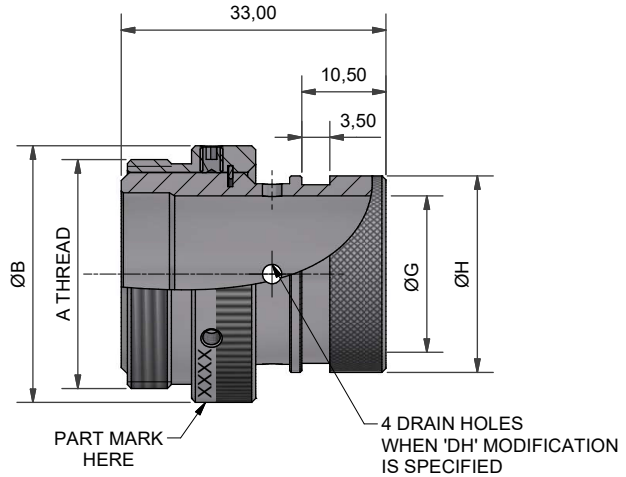


TABLE 1

SHELL SIZE	A THREAD	ØB MAX	ØG	ØH MAX
08	5/8-24UNEF	19,8	7,00	13,50
10	3/4-20UNEF	23,1	10,00	15,40
12	7/8-20UNEF	26,2	13,50	19,70
14	1-20UNEF	29,5	16,50	21,30
16	1 1/8-18UNEF	32,5	19,50	24,50
18	1 1/4-18UNEF	35,8	22,25	27,75
20	1 3/8-18UNEF	38,9	25,00	31,00
22	1 1/2-18UNEF	42,2	28,50	34,40
24	1 5/8-18UNEF	45,2	30,00	36,60

TABLE 2

CODE	MATERIAL
1	ALUMINIUM
2	NICKEL ALUMINIUM BRONZE
4	STAINLESS STEEL

TABLE 3

CODE	DESCRIPTION
B	CADMIUM, OLIVE DRAB OVER ELECTROLESS NICKEL
C	ELECTROLESS NICKEL
J	PASSIVATE
U	UNPLATED CLEAN FINISH NOT SHOT BLASTED
Z	SHOT BLAST FOR NON-REFLECTIVE FINISH
ZB	ZINC COBALT OLIVE DRAB OVER ELECTROLESS NICKEL
ZN	ZINC NICKEL BLACK PASSIVATE OVER ELECTROLESS NICKEL

SEE WEBSITE FOR FULL LIST AND SPECS OF MATERIALS AND FINISHES.

97KJ1-16-1-C-DH

SERIES \_\_\_\_\_  
INTERFACE \_\_\_\_\_  
ANGLE \_\_\_\_\_  
SHELL SIZE (TABLE 1) \_\_\_\_\_  
MATERIAL (TABLE 2) \_\_\_\_\_  
FINISH (TABLE 3) \_\_\_\_\_  
MODIFICATION CODE \_\_\_\_\_  
DH - DRAIN HOLE, OMIT IF NOT REQUIRED

<b>DRAWN</b> K.WINCZURA	<b>DATE</b> 25/04/2016		<b>3RD ANGLE PROJECTION NOT TO SCALE</b>	<b>PART NUMBER:</b>  <b>97KJ1 SERIES</b>		
<b>SALES APPR</b>	25/04/2016					
<b>DESIGN APPR</b> K.SHEPPARD	25/04/2016		<b>UNLESS OTHERWISE SPECIFIED ALL DIMENSIONS IN MILLIMETRES</b>	<b>TITLE:</b>  <b>HEAT SHRINK BOOT BACKSHELL</b>		
<b>PROD APPR</b>						
<b>QUAL APPR</b>		<b>MATERIAL</b> SEE TABLE 2	<b>FINISH</b> SEE TABLE 3	<b>ASSY USED ON: MS3114 AND MS3124 RECEPTACLE CONNECTORS.</b>	<b>DRAWING NO:</b> <b>P37322</b>	
<b>ISSUE</b> 1	<b>REV.</b> ---					<b>DCR</b> ---
<b>NCAGE CODE U5792</b>						