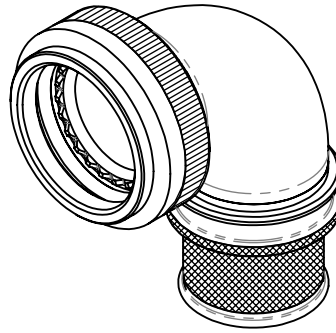


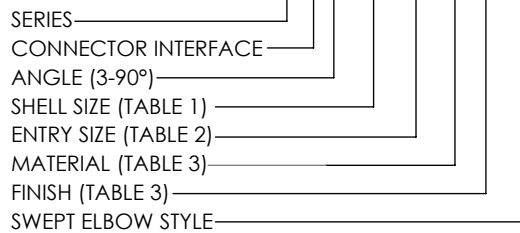
REVISIONS



NOTES:

1. THIS PRODUCT IS DESIGNED TO TERMINATE A BRAIDED CABLE SHIELD BY MEANS OF A BAND STRAP AND A HEAT SHRINKABLE LIPPED BOOT TO A CONNECTOR.
2. SEE DRAWING BND-XXXXX FOR BAND STRAP OPTIONS, DIMENSIONS AND INFORMATION.
3. BACKSHELL TO BE PERMANENTLY MARKED/ BAGGED AND LABELLED WITH PART NUMBER AND BATCH NUMBER. (e.g. BTH3-15-11-1-B-SE P123456)
4. AVAILABLE ENTRY SIZES ARE SHOWN IN TABLE 1. FOR ALTERNATIVE ENTRY SIZES, PLEASE CONTACT DESIGN AUTHORITY.
5. BACKSHELL MATES TO MIL-DTL-38999 SERIES III & IV

BTH3-15-05-1-C-SE



RELEASED FOR PUBLICATION

ALL RIGHTS RESERVED.

THIS DRAWING IS UNPUBLISHED.

© COPYRIGHT 20 BY

DIMENSIONS: MILLIMETERS	DWN: K.KUTA-WINCZURA 24/10/2019	MATERIAL: SEE TABLE 3	FINISH: SEE TABLE 3	
	CHK: DIW 28/10/2019	STE TE Connectivity		
TOLERANCES UNLESS OTHERWISE SPECIFIED:	APVD: M.PAUL 28/10/2019	PART NUMBER: BTH(3E) SERIES		
GENERAL TOL LINEAR ± 0.25 MM ANGULAR $\pm 1^\circ$	PRODUCT SPEC: -	NAME: BANDING BACKSHELL, 90DEG		
	APPLICATION SPEC: -	SIZE: A4	CAGE CODE: U5792	DRAWING NO: C-P42405
	WEIGHT:	RESTRICTED TO		
	CUSTOMER DRAWING	SCALE: 1:1	SHEET: 1 OF 2	REV: AD

REVISIONS

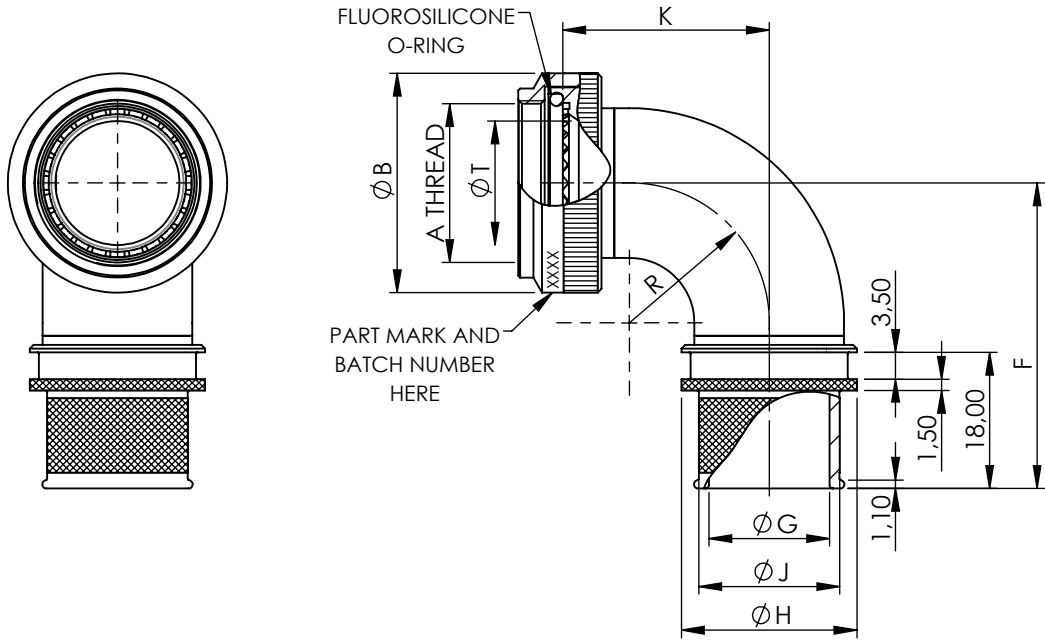


TABLE 1

SHELL SIZE	A THREAD	ØB MAX	K MAX	F MAX	R REF.	ØT MIN	ENTRY SIZES
09	M12 × 1.0	18,0	18,8	31,9	9,0	6,7	04
11	M15 × 1.0	21,0	22,0	35,1	12,2	10,2	04, 05, 06
13	M18 × 1.0	24,5	25,2	38,3	15,4	13,5	06, 08
15	M22 × 1.0	29,0	28,3	41,4	18,5	16,2	07, 09, 10
17	M25 × 1.0	32,5	31,5	44,6	21,7	19,4	09, 11, 12
19	M28 × 1.0	35,5	34,7	47,8	24,9	21,8	10, 12, 13
21	M31 × 1.0	37,0	37,9	51,0	28,1	25,1	11, 14, 15
23	M34 × 1.0	40,0	41,0	54,1	31,2	28,2	13, 16, 17
25	M37 × 1.0	43,5	44,2	57,3	34,4	31,4	15, 18, 19

TABLE 2

ENTRY SIZE	ØG	ØJ	ØH MAX
04	6,35	9,40	13,99
05	7,92	11,00	15,56
06	9,53	12,50	17,16
07	11,12	14,10	18,76
08	12,70	15,70	20,34
09	14,27	17,30	21,91
10	15,87	18,80	23,52
11	17,47	20,50	25,11
12	19,05	22,00	26,69
13	20,62	23,60	28,26
14	22,23	25,20	29,87
15	23,82	26,80	31,46
16	25,40	28,40	33,04
17	26,98	30,00	34,60
18	28,60	31,60	36,30
19	30,20	33,20	37,90

TABLE 3


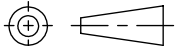
CODE	MATERIAL / PLATING
1-B	ALUMINIUM ALLOY / CADMIUM OLIVE DRAB OVER ELECTROLESS NICKEL
1-C	ALUMINIUM ALLOY / ELECTROLESS NICKEL
1-ZN	ALUMINIUM ALLOY / ZINC NICKEL BLACK PASSIVATE OVER ELECTROLESS NICKEL
4-J	STAINLESS STEEL / PASSIVATE

RELEASED FOR PUBLICATION

ALL RIGHTS RESERVED.

THIS DRAWING IS UNPUBLISHED.

© COPYRIGHT 20 BY

DIMENSIONS: MILLIMETERS	DWN: K.KUTA-WINCZURA 24/10/2019	MATERIAL: SEE TABLE 3	FINISH: SEE TABLE 3
	CHK: DIW 28/10/2019	 TE Connectivity	
TOLERANCES UNLESS OTHERWISE SPECIFIED:	APVD: M.PAUL 28/10/2019		
GENERAL TOL LINEAR ±0,25MM ANGULAR ±1°	PRODUCT SPEC: -	NAME: BANDING BACKSHELL, 90DEG	
	APPLICATION SPEC: -	SIZE: A4	CAGE CODE: U5792
	WEIGHT:	DRAWING NO: C-P42405	RESTRICTED TO
	CUSTOMER DRAWING	SCALE: 1:1	SHEET 2 OF 2 REV AD