

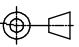

## CODE 76 - TINEL-LOCK BACKSHELL

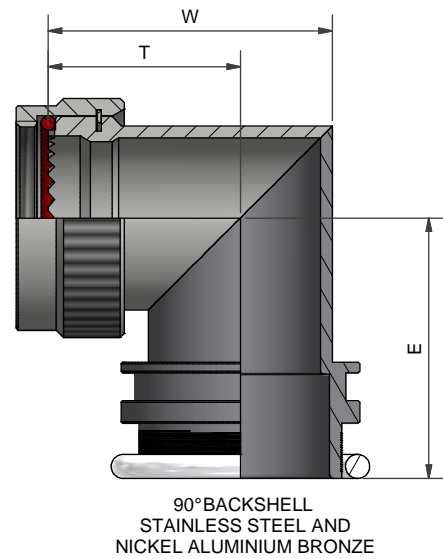
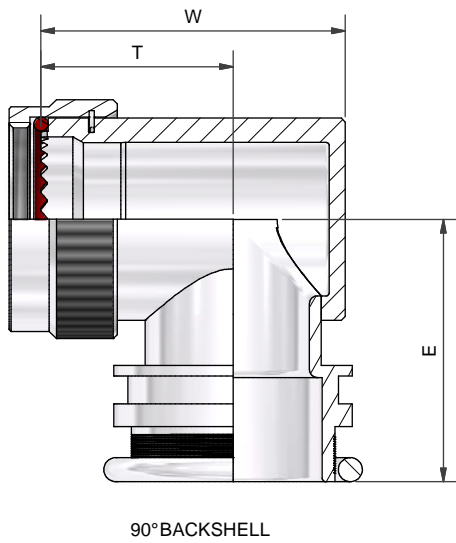
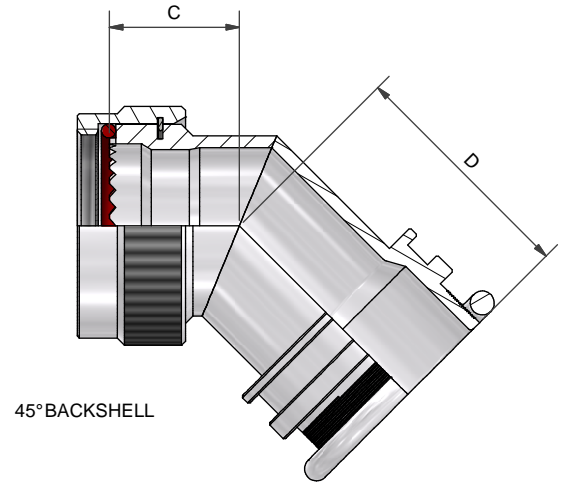
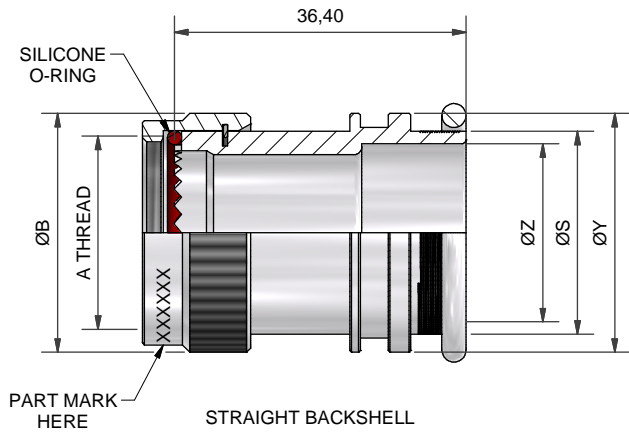
**STXR76AB00-1616AI-S**



SERIES \_\_\_\_\_  
 STXR: RING INCLUDED  
 (SEE RING OPTION)  
 STX: RING NOT INCLUDED  
 CONNECTOR INTERFACE \_\_\_\_\_  
 MATERIAL \_\_\_\_\_  
 REFER TO CH00-0250-008  
 FINISH \_\_\_\_\_  
 REFER TO CH00-0250-008  
 ANGLE \_\_\_\_\_  
 ORDER NUMBER (TABLE 1) \_\_\_\_\_  
 ENTRY SIZE (TABLE 2) \_\_\_\_\_  
 RING OPTION \_\_\_\_\_  
 AI - TO SUIT SINGLE BRAID  
 BI - TO SUIT DOUBLE BRAID  
 FOR STX, LEAVE BLANK  
 MODIFICATION CODE \_\_\_\_\_  
 REFER TO CH00-0250-008 (2)

### NOTES:

1. THIS PRODUCT IS DESIGNED TO TERMINATE A BRAIDED CABLE SHIELD AND A HEAT SHRINKABLE LIPPED BOOT TO A CONNECTOR.
- (2) FOR ADDITIONAL DIMENSIONS, ORDERING INFORMATION AND MODIFICATIONS, SEE CH00-0250-008.
- (3) SEE DRAWING TR FOR DETAIL ON TINEL-LOCK RING, RINGS ARE DESIGNED TO BE HEATED ELECTRICALLY, ALL RINGS ARE MARKED WITH THERMOCHROMIC PAINT WHICH CHANGES COLOUR WHEN INSTALLATION TEMPERATURE IS REACHED.
4. BACKSHELL TO BE PERMANENTLY MARKED/BAGGED AND LABELLED WITH CODE IDENTIFICATION NUMBER AND PART NUMBER LESS RING DESIGNATOR. (e.g. 06090-STXR76AB00-2018). RING SHALL BEAR NO MARKING.
- (5) TINEL-LOCK RING ENTRY SIZE AND BRAID DESIGNATOR IS TO BE SPECIFIED IN PART NUMBER WHEN ORDERING.
6. BACKSHELL MATES TO BS 9522. N0001 PATT 603, BSS 9522, F0017 PATT 105.
- (7) PREFIX ' S' DENOTES THAT THE ADAPTER HAS A LARGER ENTRY THAN THE STANDARD TXR BUT IS STILL OF THE TYPE 1 DESIGN.
- (8) SEE SHEET 3 FOR TABLE OF ENTRY SIZE APPLICABLE TO THE STXR RANGE. FOR ENTRY SIZE LARGER THAN MAX INDICATED, CONTACT TE. MAX ENTRY ONLY APPLIES TO ANGLES 45 & 90.

DRAWN		DATE		 3RD ANGLE PROJECTION NOT TO SCALE	PART NUMBER:			STXR76 SERIES			 Polamco
D. WRIGLEY		13/08/2018			TITLE:			TINEL LOCK BACKSHELL			
DESIGN APPROVAL		DATE		UNLESS OTHERWISE SPECIFIED ALL DIMENSIONS IN MILLIMETRES <b>GENERAL TOL</b> LINEAR +/-0.25MM ANGULAR +/- 1°	ASSY USED ON: BS9522 PATT 105 / PATT 603			RESTRICTED TO:			 STE connectivity
M. PAUL		13/08/2018			THIS DRAWING IS COPYRIGHT AND THE PROPERTY OF POLAMCO LTD IT MUST NOT BE COPIED, USED FOR MANUFACTURE OR OTHERWISE DISCLOSED WITHOUT PRIOR WRITTEN CONSENT OF THE COMPANY.			POLAMCO LTD, WESTON LOCK, LOWER BRISTOL ROAD BATH BA2 1EP			
DOC TYPE	Customer Drawing			MATERIAL	SEE PART NUMBER BREAKDOWN			DRAWING NO:			P43455
ISSUE/REV	AA	DCR	---	FINISH	SEE PART NUMBER BREAKDOWN			DRAWING NO:			
NCAGE CODE U5792		WEIGHT NA									



DRAWN		DATE		3RD ANGLE PROJECTION NOT TO SCALE	PART NUMBER:			STXR76 SERIES	 <b>Polamco</b> 
D. WRIGLEY		13/08/2018			TITLE:				
DESIGN APPROVAL		DATE		UNLESS OTHERWISE SPECIFIED ALL DIMENSIONS IN MILLIMETRES GENERAL TOL LINEAR +/-0.25MM ANGULAR +/- 1°	ASSY USED ON: BS9522 PATT 105 / PATT			RESTRICTED TO:	
M. PAUL		13/08/2018			603				
DOC TYPE	Customer Drawing			MATERIAL			SHT	DRAWING NO:	
ISSUE/REV	DCR		SEE PART NUMBER BREAKDOWN			2			P43455
AA		---		FINISH			THIS DRAWING IS COPYRIGHT AND THE PROPERTY OF POLAMCO LTD IT MUST NOT BE COPIED, USED FOR MANUFACTURE OR OTHERWISE DISCLOSED WITHOUT PRIOR WRITTEN CONSENT OF THE COMPANY.		
NCAGE CODE U5792		WEIGHT NA		SEE PART NUMBER BREAKDOWN					

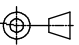


THESE DIMENSIONS APPLY IF  
BACKSHELL IS STAINLESS  
STEEL OR NICKEL ALUMINIUM  
BRONZE

TABLE 1

ORDER NUMBER	SHELL SIZE ⊕	A THREAD	ØB MAX	ENTRY SIZE		C +/-0,5	D +/-0,5	W +/-0,5	T +/-0,5	E +/-0,5	W +/-0,5	T +/-0,5	E +/-0,5
				MIN	MAX⊕								
08	8	7/16-28 UNEF	17,3	05	06	13,90	26,8	25,0	17,5	26,20	22,4	17,5	26,4
10	10	9/16-24 UNEF	20,3	07	10	14,40	27,5	28,0	18,6	27,95	24,8	18,6	28,2
12	12	11/16-24 UNEF	23,8	10	12	15,20	28,0	31,5	20,5	29,45	29,5	20,5	29,7
14	14	13/16-20 UNEF	26,8	12	16	16,04	29,0	35,0	22,5	31,00	32,6	22,5	31,2
16	16	15/16-20 UNEF	29,8	14	18	16,29	29,7	38,0	24,0	32,70	35,4	24,0	32,9
18	18	1 1/16-18 UNEF	33,3	16	20	17,34	30,5	41,5	26,0	34,25	39,2	26,0	34,5
20	20	1 3/16-18 UNEF	36,3	18	22	17,68	30,9	45,0	28,0	35,80	42,6	28,0	36,1
22	22	1 5/16-18 UNEF	39,8	20	24	18,02	31,1	48,0	29,5	37,40	45,8	29,5	37,6
24	24	1 7/16-18 UNEF	42,8	20	24	19,17	32,1	51,0	31,0	38,90	48,3	31,0	39,1

TABLE 2

ENTRY SIZE	ØZ MIN	ØS	ØY +/-0,3
05	7,92	11,06 +/-0,04	15,50
06	9,53	12,66 +/-0,04	17,10
07	11,10	14,21 +/-0,07	18,70
08	12,70	15,81 +/-0,07	20,30
10	15,88	18,96 +/-0,08	23,50
12	19,05	22,14 +/-0,08	26,70
14	22,23	25,30 +/-0,08	29,80
16	25,40	28,48 +/-0,08	33,00
18	28,58	31,65 +/-0,08	36,20
20	31,75	34,83 +/-0,08	39,40
22	34,93	37,98 +/-0,08	42,50
24	38,10	41,15 +/-0,08	45,70

<b>DRAWN</b> D. WRIGLEY		<b>DATE</b> 13/08/2018			<b>PART NUMBER:</b> <b>STXR76 SERIES</b>				
<b>DESIGN APPROVAL</b> M. PAUL		<b>DATE</b> 13/08/2018			<b>TITLE:</b> <b>TINEL LOCK BACKSHELL</b>				
<b>DOC TYPE</b> Customer Drawing		UNLESS OTHERWISE SPECIFIED ALL DIMENSIONS IN MILLIMETRES <b>GENERAL TOL</b> LINEAR +/-0,25MM ANGULAR +/- 1°		<b>ASSY USED ON:</b> BS9522 PATT 105 / PATT 603					
<b>ISSUE/REV</b> AA		<b>MATERIAL</b> SEE PART NUMBER BREAKDOWN		<b>RESTRICTED TO:</b> POLAMCO LTD, WESTON LOCK, LOWER BRISTOL ROAD BATH BA2 1EP					
<b>NCAGE CODE</b> U5792		<b>FINISH</b> SEE PART NUMBER BREAKDOWN		THIS DRAWING IS COPYRIGHT AND THE PROPERTY OF POLAMCO LTD IT MUST NOT BE COPIED, USED FOR MANUFACTURE OR OTHERWISE DISCLOSED WITHOUT PRIOR WRITTEN CONSENT OF THE COMPANY.		<b>SHT</b> 3		<b>DRAWING NO:</b> P43455	