


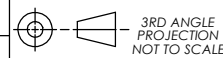

CODE 40 - TINEL-LOCK BACKSHELL J MODIFICATION CHAIN ATTACHMENT

TXR40AB00-1608AJ

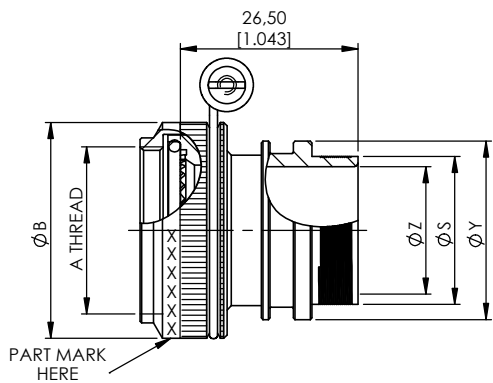
SERIES _____
 TXR: RING INCLUDED
 (SEE RING OPTION)
 TX: RING NOT INCLUDED
 CONNECTOR INTERFACE _____
 MATERIAL _____
 FINISH _____
 ANGLE _____
 DASH NUMBER (TABLE 1) _____
 ENTRY SIZE (TABLE 2) _____
 RING OPTION _____
 AI - TO SUIT SINGLE BRAID
 BI - TO SUIT DOUBLE BRAID
 FOR TX, LEAVE BLANK
 MODIFICATION CODE _____
 J MODIFICATION CHAIN ATTACHMENT

NOTES:

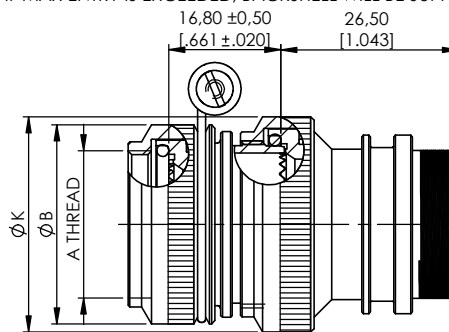
1. THIS PRODUCT IS DESIGNED TO TERMINATE A BRAIDED CABLE SHIELD AND A HEAT SHRINKABLE LIPPED BOOT TO A CONNECTOR.
2. THE INFORMATION CONTAINED ON THIS DRAWING SUPERSEDES THAT SHOWN IN SS-CH00-0250-008.
3. SEE DRAWING TR FOR DETAIL ON TINEL-LOCK RING, RINGS ARE DESIGNED TO BE HEATED ELECTRICALLY, ALL RINGS ARE MARKED WITH THERMOCHROMIC PAINT WHICH CHANGES COLOUR WHEN INSTALLATION TEMPERATURE IS REACHED.
4. BACKSHELL TO BE PERMANENTLY MARKED/BAGGED AND LABELLED WITH CODE IDENTIFICATION NUMBER AND PART NUMBER LESS RING DESIGNATOR. (e.g. 06090-TXR40AB00-1206J). RING SHALL BEAR NO MARKING.
5. FOR LARGER ENTRY SIZES, A 2 PIECE BACKSHELL ASSEMBLY (TYPE 2) IS SUPPLIED.
6. BACKSHELL MATES TO MIL-DTL-38999 SERIES III AND IV, CLASS C, F, K AND W, D38999/20, /24, /26, /40, /46 AND /47 CONNECTORS, AND WHEN SO MATED SHALL PROVIDE A WATER-TIGHT SEAL MEETING THE REQUIREMENTS OF MIL-C-85049, PARA. 3.5.7.

DRAWN D. WRIGLEY 05/02/2019		DATE 05/02/2019		BS 8888		PART NUMBER TXR40, J MODIFICATION SERIES		 Polamco		
APPROVED BY M. PAUL 05/02/2019		CHECKED BY R. STYLES 07/02/2019		 3RD ANGLE PROJECTION NOT TO SCALE UNLESS OTHERWISE SPECIFIED: ALL DIMENSIONS IN MILLIMETRES INCHES IN PARENTHESES GENERAL TOLERANCES LINEAR ± 0.25mm ANGULAR ± 1°		TITLE TINEL-LOCK BACKSHELL, J MODIFICATION			 STE connectivity	
DOC TYPE Customer Drawing		MATERIAL SEE PART NUMBER BREAKDOWN		HEAT TREATMENT & FINISH SEE PART NUMBER BREAKDOWN		ASSY USED ON: MIL-DTL-38999 SERIES III AND IV		RESTRICTED TO:		DRAWING NO: P43608
ISSUE/REV AB		CHANGE NOTICE DCR		NCAGE CODE U5792		WEIGHT/g -		THIS INFORMATION IS CONFIDENTIAL AND PROPRIETARY TO TYCO ELECTRONICS CORPORATION AND ITS WORLDWIDE SUBSIDIARIES AND AFFILIATES (TE). IT MAY NOT BE DISCLOSED TO ANYONE OTHER THAN TE PERSONNEL WITHOUT AUTHORIZATION FROM TE (www.TE.com).	WESTON LOCK, LOWER BRISTOL RD, BATH, BA2 1EP TEL. +44 (0)1225 322500	

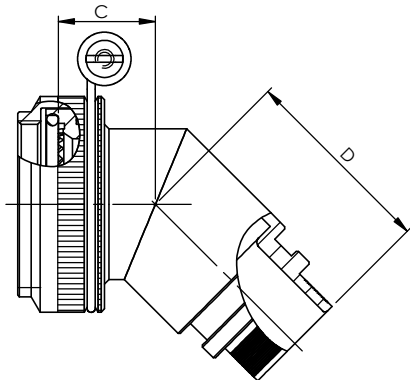
IF MAX ENTRY IS EXCEEDED, BACKSHELL WILL BE SUPPLIED AS TYPE 2



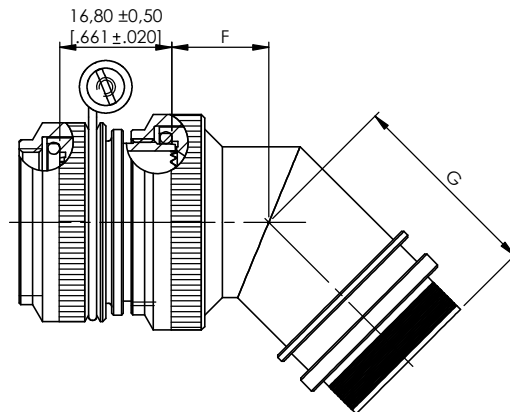
STRAIGHT BACKSHELL - TYPE 1



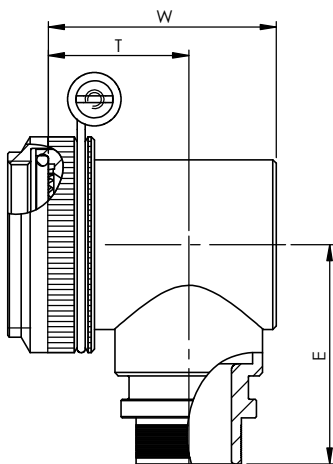
STRAIGHT BACKSHELL - TYPE 2



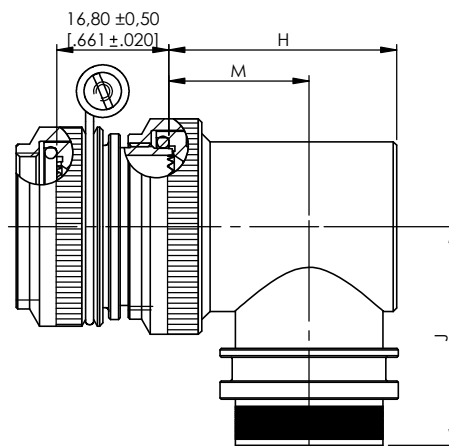
45° BACKSHELL - TYPE 1



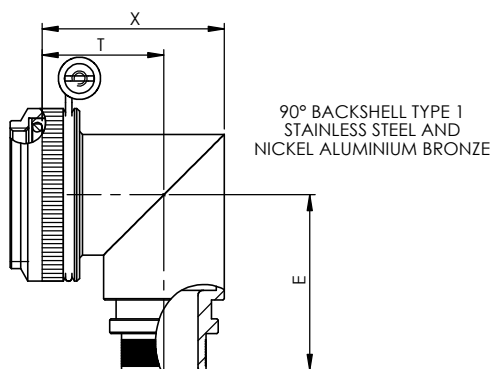
45° BACKSHELL - TYPE 2



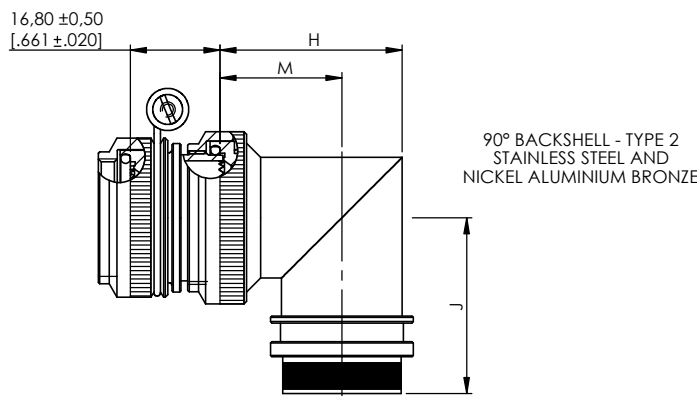
90° BACKSHELL - TYPE 1



90° BACKSHELL - TYPE 2



90° BACKSHELL TYPE 1
STAINLESS STEEL AND
NICKEL ALUMINIUM BRONZE



90° BACKSHELL - TYPE 2
STAINLESS STEEL AND
NICKEL ALUMINIUM BRONZE

DRAWN		DATE
D. WRIGLEY		05/02/2019
APPROVED BY		
M. PAUL		05/02/2019
CHECKED BY		
R. STYLES		07/02/2019
DOC TYPE	Customer Drawing	
ISSUE/REV	CHANGE NOTICE	
AB	DCR	
NCAGE CODE U5792	WEIGHT/g	-

BS 8888
3RD ANGLE PROJECTION NOT TO SCALE
UNLESS OTHERWISE SPECIFIED: ALL DIMENSIONS IN MILLIMETRES INCHES IN PARENTHESES GENERAL TOLERANCES LINEAR ± 0.25mm ANGULAR ± 1°
MATERIAL
SEE PART NUMBER BREAKDOWN
HEAT TREATMENT & FINISH
SEE PART NUMBER BREAKDOWN

PART NUMBER	TXR40, J MODIFICATION SERIES
TITLE	TINEL-LOCK BACKSHELL, J MODIFICATION
ASSY USED ON:	MIL-DTL-38999 SERIES III AND IV
RESTRICTED TO:	
THIS INFORMATION IS CONFIDENTIAL AND PROPRIETARY TO TYCO ELECTRONICS CORPORATION AND ITS WORLDWIDE SUBSIDIARIES AND AFFILIATES (TE). IT MAY NOT BE DISCLOSED TO ANYONE OTHER THAN TE PERSONNEL WITHOUT AUTHORIZATION FROM TE (www.TE.com).	
WESTON LOCK, LOWER BRISTOL RD, BATH, BA2 1EP TEL. +44 (0)1225 322500	SHT. 2 OF 3

Polamco
connectivity

DRAWING NO:
P43608

TABLE 1

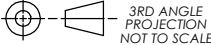


DIMENSIONS APPLY FOR STAINLESS STEEL AND NICKEL ALUMINIUM BRONZE BACKSHELLS

ORDER NO.	SHELL SIZE COM'L / MIL	A THREAD	B MAX	MAX ENTRY	C +/-0,5 [+/-0.020]	D +/-0,5 [+/-0.020]	W +/-0,5 [+/-0.020]	T +/-0,5 [+/-0.020]	E +/-0,5 [+/-0.020]	W +/-0,5 [+/-0.020]	T +/-0,5 [+/-0.020]	E +/-0,5 [+/-0.020]
08	9 / A	M12 x 1.0	18,00 [.709]	04	12,0 [.472]	26,8 [1.055]	21,0 [.827]	14,0 [.551]	26,20 [1.031]	21,2 [.835]	16,3 [.642]	26,4 [1.039]
10	11 / B	M15 x 1.0	21,00 [.827]	07	12,5 [.492]	27,5 [1.083]	24,0 [.945]	15,5 [.610]	27,95 [1.100]	24,3 [.957]	17,2 [.677]	28,2 [1.110]
12	13 / C	M18 x 1.0	24,50 [.965]	08	13,1 [.516]	28,0 [1.102]	27,0 [1.063]	17,0 [.669]	29,45 [1.159]	28,3 [1.114]	19,4 [.764]	29,7 [1.169]
14	15 / D	M22 x 1.0	30,00 [1.181]	10	13,5 [.531]	29,0 [1.142]	31,0 [1.220]	19,5 [.768]	31,00 [1.220]	31,1 [1.224]	21,0 [.827]	31,2 [1.228]
16	17 / E	M25 x 1.0	32,50 [1.280]	12	14,5 [.571]	29,7 [1.169]	34,0 [1.339]	21,0 [.827]	32,70 [1.287]	34,2 [1.346]	22,8 [.898]	32,9 [1.295]
18	19 / F	M28 x 1.0	35,50 [1.398]	14	15,5 [.610]	30,5 [1.201]	35,0 [1.378]	20,0 [.787]	34,25 [1.348]	38,5 [1.516]	25,3 [.996]	34,5 [1.358]
20	21 / G	M31 x 1.0	37,50 [1.476]	16	16,1 [.634]	30,9 [1.217]	38,0 [1.496]	21,5 [.846]	35,80 [1.409]	40,7 [1.602]	26,1 [1.028]	36,1 [1.421]
22	23 / H	M34 x 1.0	41,00 [1.614]	18	16,5 [.650]	31,1 [1.224]	42,0 [1.654]	24,0 [.945]	37,40 [1.472]	43,7 [1.720]	27,6 [1.087]	37,6 [1.480]
24	25 / J	M37 x 1.0	44,45 [1.750]	20	17,0 [.669]	32,1 [1.264]	45,0 [1.772]	25,5 [1.004]	38,90 [1.531]	46,4 [1.827]	29,1 [1.146]	39,1 [1.539]

TABLE 2

DIMENSIONS APPLY FOR STAINLESS STEEL AND NICKEL ALUMINIUM BRONZE BACKSHELLS

ENTRY SIZE	Z MIN	S	Y +/-0,3 [+/-0.012]	K MAX	F +/-0,5 [+/-0.020]	G +/-0,5 [+/-0.020]	H +/-0,5 [+/-0.020]	M +/-0,5 [+/-0.020]	J +/-0,5 [+/-0.020]	H +/-0,5 [+/-0.020]	M +/-0,5 [+/-0.020]	J +/-0,5 [+/-0.020]
04	6,35 [.250]	9,49 +/-0,04 [.374 +/-0.002]	14,00 [.551]	NA	NA	NA	NA	NA	NA	NA	NA	NA
05	7,92 [.312]	11,06 +/-0,04 [.435 +/-0.002]	15,50 [.610]	21,0 [.827]	12,5 [.492]	27,5 [1.083]	24,0 [.945]	15,5 [.610]	27,95 [1.100]	24,3 [.957]	17,2 [.677]	28,2 [1.110]
06	9,53 [.375]	12,66 +/-0,04 [.498 +/-0.002]	17,10 [.673]	21,0 [.827]	12,5 [.492]	27,5 [1.083]	24,0 [.945]	15,5 [.610]	27,95 [1.100]	24,3 [.957]	17,2 [.677]	28,2 [1.110]
07	11,10 [.437]	14,21 +/-0,07 [.559 +/-0.003]	18,70 [.736]	21,0 [.827]	12,5 [.492]	27,5 [1.083]	24,0 [.945]	15,5 [.610]	27,95 [1.100]	24,3 [.957]	17,2 [.677]	28,2 [1.110]
08	12,70 [.500]	15,81 +/-0,07 [.622 +/-0.003]	20,30 [.799]	24,5 [.965]	13,1 [.516]	28,0 [1.102]	27,0 [1.063]	17,0 [.669]	29,45 [1.159]	28,3 [1.114]	19,4 [.764]	29,7 [1.169]
10	15,88 [.625]	18,96 +/-0,08 [.746 +/-0.003]	23,50 [.925]	29,0 [1.142]	13,5 [.531]	29,0 [1.142]	31,0 [1.220]	19,5 [.771]	31,00 [1.220]	31,1 [1.224]	21,0 [.827]	31,2 [1.228]
12	19,05 [.750]	22,14 +/-0,08 [.872 +/-0.003]	26,70 [1.051]	32,5 [1.280]	14,5 [.571]	29,7 [1.169]	34,0 [1.339]	21,0 [.827]	32,70 [1.287]	34,2 [1.346]	22,8 [.898]	32,9 [1.295]
14	22,23 [.875]	25,30 +/-0,08 [.996 +/-0.003]	29,80 [1.173]	35,5 [1.398]	15,5 [.610]	30,5 [1.201]	35,0 [1.378]	20,0 [.787]	34,25 [1.348]	38,5 [1.516]	25,3 [.996]	34,5 [1.358]
16	25,40 [1.000]	28,48 +/-0,08 [1.121 +/-0.003]	33,00 [1.299]	37,0 [1.457]	16,1 [.634]	30,9 [1.217]	38,0 [1.496]	21,5 [.846]	35,80 [1.409]	40,7 [1.602]	26,1 [1.028]	36,1 [1.421]
18	28,58 [1.125]	31,65 +/-0,08 [1.246 +/-0.003]	36,20 [1.425]	40,0 [1.575]	16,5 [.650]	31,1 [1.224]	42,0 [1.654]	24,0 [.945]	37,40 [1.472]	43,7 [1.720]	27,6 [1.087]	37,6 [1.480]
20	31,75 [1.250]	34,83 +/-0,08 [1.371 +/-0.003]	39,40 [1.551]	43,5 [1.713]	17,0 [.669]	32,1 [1.264]	45,0 [1.772]	25,5 [1.004]	38,90 [1.531]	46,4 [1.827]	29,1 [1.146]	39,1 [1.539]
22	34,93 [1.375]	37,98 +/-0,08 [1.495 +/-0.003]	42,50 [1.673]	48,5 [1.909]	18,5 [.728]	35,3 [1.390]	54,5 [2.146]	31,0 [1.220]	42,00 [1.654]	50,0 [1.969]	31,0 [1.220]	42,0 [1.654]
24	38,10 [1.500]	41,15 +/-0,08 [1.620 +/-0.003]	45,70 [1.799]	52,1 [2.051]	21,9 [.862]	38,1 [1.500]	58,0 [2.283]	33,0 [1.299]	46,00 [1.811]	53,5 [2.106]	33,0 [1.299]	46,0 [1.811]

DRAWN D. WRIGLEY 05/02/2019		 <p>BS 8888</p> <p>UNLESS OTHERWISE SPECIFIED: ALL DIMENSIONS IN MILLIMETRES INCHES IN PARENTHESES GENERAL TOLERANCES LINEAR ± 0.25mm ANGULAR ± 1°</p>	PART NUMBER TXR40, J MODIFICATION SERIES		 <p>Polanco</p>
APPROVED BY M. PAUL 05/02/2019			TITLE TINEL-LOCK BACKSHELL, J MODIFICATION		
CHECKED BY R. STYLES 07/02/2019		MATERIAL SEE PART NUMBER BREAKDOWN HEAT TREATMENT & FINISH SEE PART NUMBER BREAKDOWN	ASSY USED ON: MIL-DTL-38999 SERIES III AND IV		 <p>STE connectivity</p>
DOC TYPE Customer Drawing	ISSUE/REV AB		CHANGE NOTICE DCR	RESTRICTED TO: WESTON LOCK, LOWER BRISTOL RD, BATH, BA2 1EP TEL. +44 (0) 1225 322500	
NCAGE CODE U5792		WEIGHT/g -	DRAWING NO: P43608		SHT. 3 OF 3
<p>THIS INFORMATION IS CONFIDENTIAL AND PROPRIETARY TO TYCO ELECTRONICS CORPORATION AND ITS WORLDWIDE SUBSIDIARIES AND AFFILIATES (TE). IT MAY NOT BE DISCLOSED TO ANYONE OTHER THAN TE PERSONNEL WITHOUT AUTHORIZATION FROM TE (www.TE.com).</p>					