

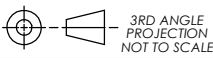
CODE 32 - TINEL-LOCK BACKSHELL J MODIFICATION CHAIN ATTACHMENT

TXR32AB00-1608AJ

SERIES _____
 TXR: RING INCLUDED
 (SEE RING OPTION)
 TX: RING NOT INCLUDED
 CONNECTOR INTERFACE _____
 MATERIAL _____
 FINISH _____
 ANGLE _____
 DASH NUMBER (TABLE 1) _____
 ENTRY SIZE (TABLE 2) _____
 RING OPTION _____
 AI - TO SUIT SINGLE BRAID
 BI - TO SUIT DOUBLE BRAID
 FOR TX, LEAVE BLANK
 MODIFICATION CODE _____
 J MODIFICATION CHAIN ATTACHMENT

NOTES:

1. THIS PRODUCT IS DESIGNED TO TERMINATE A BRAIDED CABLE SHIELD AND A HEAT SHRINKABLE LIPPED BOOT TO A CONNECTOR.
2. THE INFORMATION CONTAINED ON THIS DRAWING SUPERSEDES THAT SHOWN IN SS-CH00-0250-008.
3. SEE DRAWING TR FOR DETAIL ON TINEL-LOCK RING, RINGS ARE DESIGNED TO BE HEATED ELECTRICALLY, ALL RINGS ARE MARKED WITH THERMOCHROMIC PAINT WHICH CHANGES COLOUR WHEN INSTALLATION TEMPERATURE IS REACHED.
4. BACKSHELL TO BE PERMANENTLY MARKED/BAGGED AND LABELLED WITH CODE IDENTIFICATION NUMBER AND PART NUMBER LESS RING DESIGNATOR. (e.g. 06090-TXR32AB00-1606J). RING SHALL BEAR NO MARKING.
5. FOR LARGER ENTRY SIZES, A 2 PIECE BACKSHELL ASSEMBLY (TYPE 2) IS SUPPLIED.
6. BACKSHELL MATES TO MIL-DTL-22992, CLASS C AND R, MS17343, 44, 45 AND 47 CONNECTORS.
7. ANTI-ROTATIONAL SET SCREW, 3 THREADED HOLES 120° +/-5° APART, SINGLE MATING SET SCREW SUPPLIED.

DRAWN D. WRIGLEY		DATE 05/02/2019	BS 8888	PART NUMBER TXR32, J MODIFICATION SERIES	
APPROVED BY M. PAUL		05/02/2019	 3RD ANGLE PROJECTION NOT TO SCALE UNLESS OTHERWISE SPECIFIED: ALL DIMENSIONS IN MILLIMETRES INCHES IN PARENTHESES GENERAL TOLERANCES LINEAR ± 0.25mm ANGULAR ± 1°	TITLE TINEL-LOCK BACKSHELL, J MODIFICATION	
CHECKED BY R. STYLES		07/02/2019		ASSY USED ON: MIL-DTL-22992	
DOC TYPE Customer Drawing	MATERIAL SEE PART NUMBER BREAKDOWN		RESTRICTED TO:		
ISSUE/REV AB	CHANGE NOTICE DCR		THIS INFORMATION IS CONFIDENTIAL AND PROPRIETARY TO TYCO ELECTRONICS CORPORATION AND ITS WORLDWIDE SUBSIDIARIES AND AFFILIATES (TE). IT MAY NOT BE DISCLOSED TO ANYONE OTHER THAN TE PERSONNEL WITHOUT AUTHORIZATION FROM TE (www.TE.com).		
NCAGE CODE U5792	WEIGHT/g -	SEE PART NUMBER BREAKDOWN		WESTON LOCK, LOWER BRISTOL RD, BATH, BA2 1EP TEL. +44 (0)1225 322500	SHT. 1 OF 3

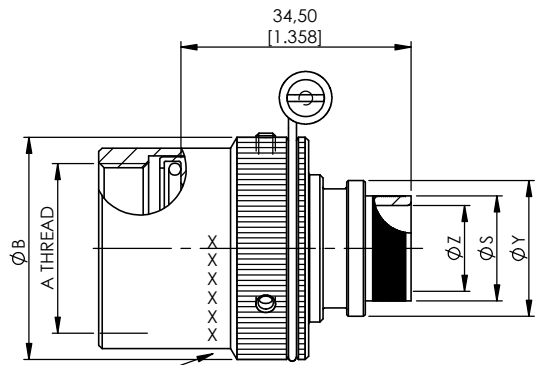


Polamco

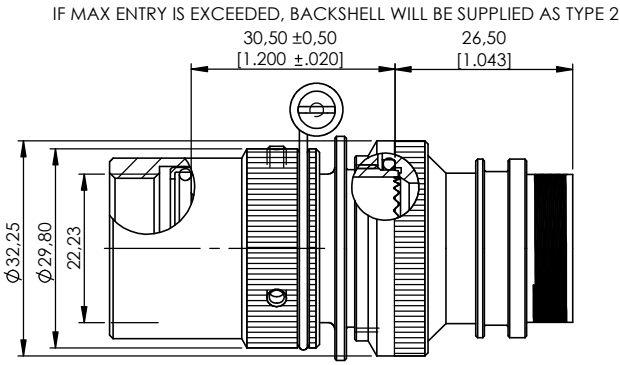


STE
connectivity

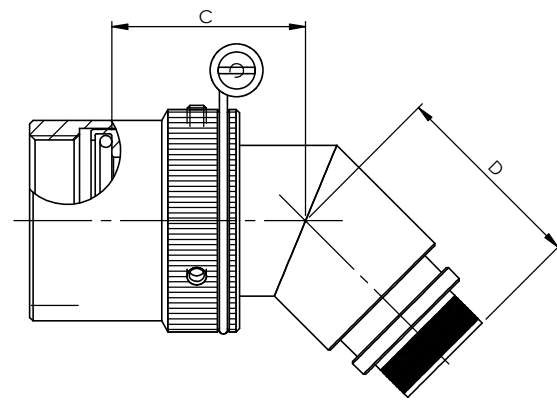
DRAWING NO:
P43609



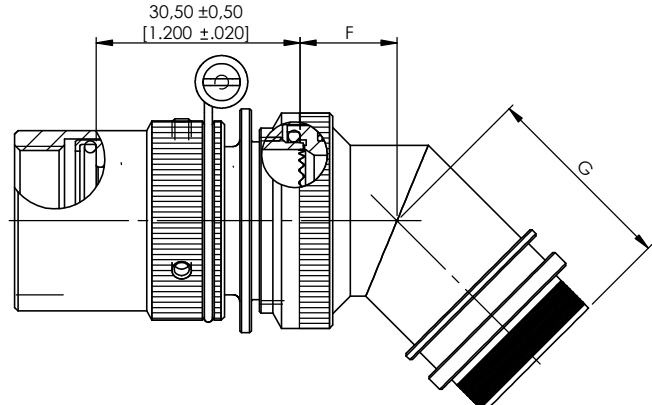
STRAIGHT BACKSHELL - TYPE 1



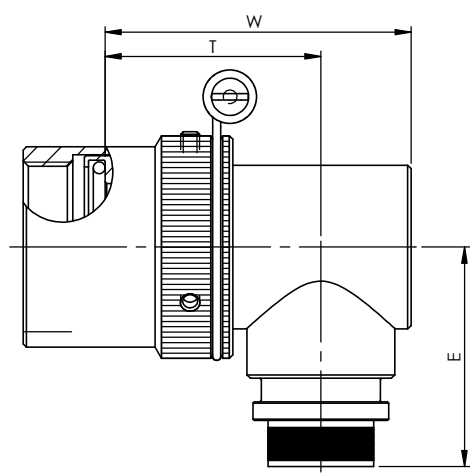
STRAIGHT BACKSHELL - TYPE 2



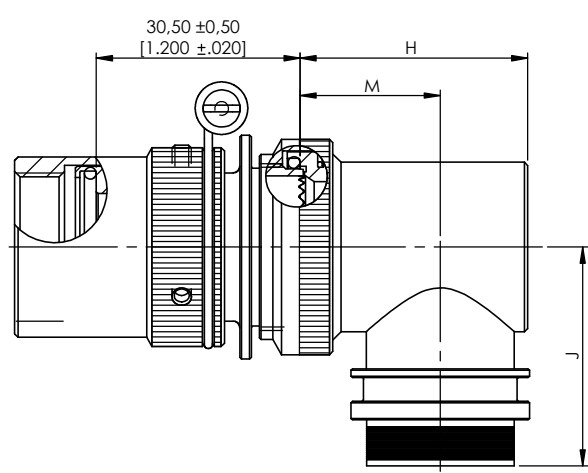
45° BACKSHELL - TYPE 1



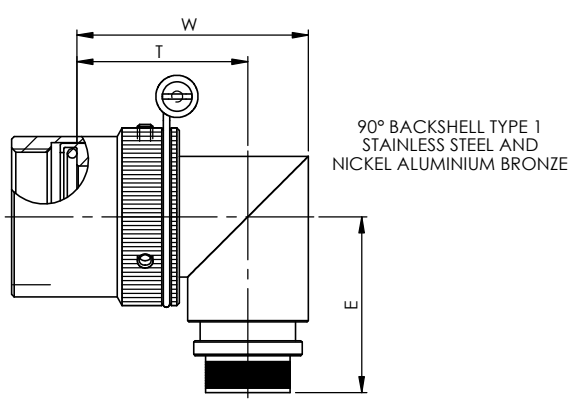
45° BACKSHELL - TYPE 2



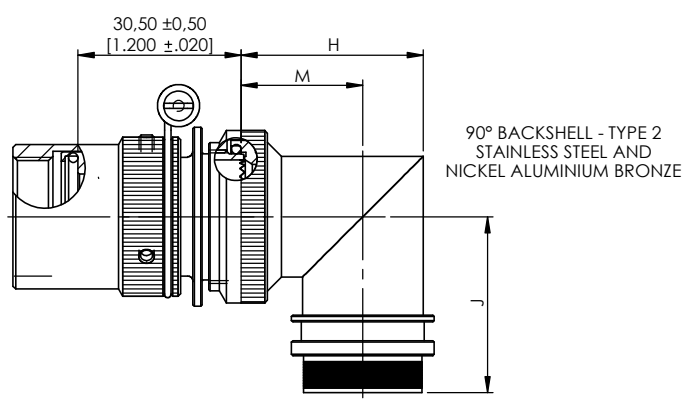
90° BACKSHELL - TYPE 1



90° BACKSHELL - TYPE 2



90° BACKSHELL TYPE 1
STAINLESS STEEL AND
NICKEL ALUMINIUM BRONZE



90° BACKSHELL - TYPE 2
STAINLESS STEEL AND
NICKEL ALUMINIUM BRONZE

IF MAX ENTRY IS EXCEEDED, BACKSHELL WILL BE SUPPLIED AS TYPE 2

DRAWN		DATE
D. WRIGLEY		05/02/2019
APPROVED BY		
M. PAUL		05/02/2019
CHECKED BY		
R. STYLES		07/02/2019
DOC TYPE	Customer Drawing	
ISSUE/REV	CHANGE NOTICE	
AB	DCR	
NCAGE CODE U5792	WEIGHT/g	-

BS 8888
3RD ANGLE PROJECTION NOT TO SCALE
UNLESS OTHERWISE SPECIFIED: ALL DIMENSIONS IN MILLIMETRES INCHES IN PARENTHESES GENERAL TOLERANCES LINEAR ± 0.25mm ANGULAR ± 1°
MATERIAL
SEE PART NUMBER BREAKDOWN
HEAT TREATMENT & FINISH
SEE PART NUMBER BREAKDOWN

PART NUMBER	TXR32, J MODIFICATION SERIES	
TITLE	TINEL-LOCK BACKSHELL, J MODIFICATION	
ASSY USED ON:	MIL-DTL-22992	
RESTRICTED TO:	WESTON LOCK, LOWER BRISTOL RD, BATH, BA2 1EP TEL. +44 (0) 1225 322500	
SHT.	2 OF 3	DRAWING NO: P43609

Polanco

STE
connectivity

DRAWING NO:
P43609

TABLE 1

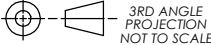


DIMENSIONS APPLY FOR STAINLESS STEEL AND NICKEL ALUMINIUM BRONZE BACKSHELLS

SHELL SIZE	A THREAD LEFT HAND	B MAX	MAX ENTRY	C MAX	D MAX	W +/-0,5 [+/-0.020]	T +/-0,5 [+/-0.020]	E +/-0,5 [+/-0.020]	W MAX	T +/-0,5 [+/-0.020]	E +/-0,5 [+/-0.020]
12	3/4-20 UNEF	27,2 [1.071]	08	29,0 [1.142]	28,5 [1.122]	41,0 [1.614]	30,0 [1.181]	29,5 [1.161]	41,0 [1.614]	30,0 [1.181]	29,7 [1.169]
14	7/8-20 UNEF	30,2 [1.189]	10	29,7 [1.169]	29,5 [1.161]	44,0 [1.732]	31,5 [1.240]	31,0 [1.220]	44,0 [1.732]	31,5 [1.240]	31,2 [1.228]
16	1-20 UNEF	33,5 [1.319]	12	30,0 [1.181]	30,2 [1.189]	45,8 [1.803]	32,3 [1.272]	32,7 [1.287]	45,8 [1.803]	32,3 [1.272]	32,9 [1.295]
18	1 1/8-18 UNEF	36,6 [1.441]	14	30,7 [1.209]	31,0 [1.220]	51,5 [2.028]	36,0 [1.417]	34,3 [1.350]	51,5 [2.028]	36,0 [1.417]	34,5 [1.358]
20	1 1/4-18 UNEF	39,9 [1.571]	16	31,2 [1.228]	31,4 [1.236]	54,7 [2.154]	37,2 [1.465]	35,8 [1.409]	54,7 [2.154]	37,2 [1.465]	36,1 [1.421]
22	1 3/8-18 UNEF	42,9 [1.689]	18	32,0 [1.260]	31,6 [1.244]	56,9 [2.240]	38,5 [1.516]	37,4 [1.472]	56,9 [2.240]	38,5 [1.516]	37,6 [1.480]
24	1 5/8-18 UNEF	52,6 [2.071]	22	33,5 [1.319]	32,6 [1.283]	67,0 [2.638]	43,9 [1.728]	41,9 [1.650]	64,2 [2.528]	42,8 [1.685]	41,9 [1.650]
28	1 7/8-16UN	58,9 [2.319]	24	34,8 [1.370]	33,0 [1.299]	71,3 [2.807]	46,3 [1.823]	45,3 [1.783]	70,8 [2.787]	46,0 [1.811]	45,3 [1.783]
32	2 1/16-16 UNS	65,3 [2.571]	24	36,3 [1.429]	32,5 [1.280]	81,5 [3.209]	52,0 [2.047]	48,4 [1.906]	81,5 [3.209]	52,0 [2.047]	48,4 [1.906]
36	2 5/16-16 UNS	71,6 [2.819]	24	37,6 [1.480]	33,8 [1.331]	84,8 [3.339]	52,8 [2.079]	51,4 [2.024]	84,0 [3.307]	52,8 [2.079]	51,4 [2.024]
40	2 5/8-16 UN	78,0 [3.071]	24	38,9 [1.531]	35,3 [1.390]	90,0 [3.543]	55,6 [2.189]	54,6 [2.150]	90,0 [3.543]	55,6 [2.189]	54,6 [2.150]
44	2 7/8-16 UN	83,0 [3.268]	28	40,5 [1.594]	37,0 [1.457]	93,0 [3.661]	57,0 [2.244]	57,7 [2.272]	93,0 [3.661]	57,0 [2.244]	57,7 [2.272]

TABLE 2

DIMENSIONS APPLY FOR STAINLESS STEEL AND NICKEL ALUMINIUM BRONZE BACKSHELLS

ENTRY SIZE	Z MIN	S	Y +/-0,3 [+/-0.012]	K MAX	F +/-0,5 [+/-0.020]	G +/-0,5 [+/-0.020]	H +/-0,5 [+/-0.020]	M +/-0,5 [+/-0.020]	J +/-0,5 [+/-0.020]	H +/-0,5 [+/-0.020]	M +/-0,5 [+/-0.020]	J +/-0,5 [+/-0.020]
04	6,35 [.250]	9,49 +/-0,04 [.374 +/-0.002]	14,00 [.551]	NA	NA	NA	NA	NA	NA	NA	NA	NA
05	7,92 [.312]	11,06 +/-0,04 [.435 +/-0.002]	15,50 [.610]	NA	NA	NA	NA	NA	NA	NA	NA	NA
06	9,53 [.375]	12,66 +/-0,04 [.498 +/-0.002]	17,10 [.673]	NA	NA	NA	NA	NA	NA	NA	NA	NA
07	11,10 [.437]	14,21 +/-0,07 [.559 +/-0.003]	18,70 [.736]	NA	NA	NA	NA	NA	NA	NA	NA	NA
08	12,70 [.500]	15,81 +/-0,07 [.622 +/-0.003]	20,30 [.799]	NA	NA	NA	NA	NA	NA	NA	NA	NA
10	15,88 [.625]	18,96 +/-0,08 [.746 +/-0.003]	23,50 [.925]	29,0 [1.142]	13,5 [.531]	29,0 [1.142]	31,0 [1.220]	19,5 [.771]	31,00 [1.220]	31,1 [1.224]	21,0 [.827]	31,2 [1.228]
12	19,05 [.750]	22,14 +/-0,08 [.872 +/-0.003]	26,70 [1.051]	32,5 [1.280]	14,5 [.571]	29,7 [1.169]	34,0 [1.339]	21,0 [.827]	32,70 [1.287]	34,2 [1.346]	22,8 [.898]	32,9 [1.295]
14	22,23 [.875]	25,30 +/-0,08 [.996 +/-0.003]	29,80 [1.173]	35,5 [1.398]	15,5 [.610]	30,5 [1.201]	35,0 [1.378]	20,0 [.787]	34,25 [1.348]	38,5 [1.516]	25,3 [.996]	34,5 [1.358]
16	25,40 [1.000]	28,48 +/-0,08 [1.121 +/-0.003]	33,00 [1.299]	37,0 [1.457]	16,1 [.634]	30,9 [1.217]	38,0 [1.496]	21,5 [.846]	35,80 [1.409]	40,7 [1.602]	26,1 [1.028]	36,1 [1.421]
18	28,58 [1.125]	31,65 +/-0,08 [1.246 +/-0.003]	36,20 [1.425]	40,0 [1.575]	16,5 [.650]	31,1 [1.224]	42,0 [1.654]	24,0 [.945]	37,40 [1.472]	43,7 [1.720]	27,6 [1.087]	37,6 [1.480]
20	31,75 [1.250]	34,83 +/-0,08 [1.371 +/-0.003]	39,40 [1.551]	43,5 [1.713]	17,0 [.669]	32,1 [1.264]	45,0 [1.772]	25,5 [1.004]	38,90 [1.531]	46,4 [1.827]	29,1 [1.146]	39,1 [1.539]
22	34,93 [1.375]	37,98 +/-0,08 [1.495 +/-0.003]	42,50 [1.673]	48,5 [1.909]	18,5 [.728]	35,3 [1.390]	54,5 [2.146]	31,0 [1.220]	42,00 [1.654]	50,0 [1.969]	31,0 [1.220]	42,0 [1.654]
24	38,10 [1.500]	41,15 +/-0,08 [1.620 +/-0.003]	45,70 [1.799]	52,1 [2.051]	21,9 [.862]	38,1 [1.500]	58,0 [2.283]	33,0 [1.299]	46,00 [1.811]	53,5 [2.106]	33,0 [1.299]	46,0 [1.811]
28	44,45 [1.750]	47,50 +/-0,08 [1.870 +/-0.003]	52,00 [2.047]	58,5 [2.303]	26,9 [1.059]	44,4 [1.748]	65,5 [2.579]	36,5 [1.437]	51,1 [2.019]	60,3 [2.374]	36,5 [1.437]	51,1 [2.019]

DRAWN D. WRIGLEY 05/02/2019		 <p>BS 8888</p> <p>UNLESS OTHERWISE SPECIFIED: ALL DIMENSIONS IN MILLIMETRES INCHES IN PARENTHESES GENERAL TOLERANCES LINEAR ± 0.25mm ANGULAR ± 1°</p>	PART NUMBER TXR32, J MODIFICATION SERIES		 <p>Polanco</p>  <p>STE connectivity</p>
APPROVED BY M. PAUL 05/02/2019			TITLE TINEL-LOCK BACKSHELL, J MODIFICATION		
CHECKED BY R. STYLES 07/02/2019			ASSY USED ON: MIL-DTL-22992		
DOC TYPE Customer Drawing			RESTRICTED TO:		
ISSUE/REV AB		CHANGE NOTICE DCR		DRAWING NO: P43609	
NCAGE CODE U5792		WEIGHT/g -		SHT. 3 OF 3	
<p>THIS INFORMATION IS CONFIDENTIAL AND PROPRIETARY TO TYCO ELECTRONICS CORPORATION AND ITS WORLDWIDE SUBSIDIARIES AND AFFILIATES (TE). IT MAY NOT BE DISCLOSED TO ANYONE OTHER THAN TE PERSONNEL WITHOUT AUTHORIZATION FROM TE (www.TE.com).</p> <p>WESTON LOCK, LOWER BRISTOL RD, BATH, BA2 1EP TEL. +44 (0)1225 322500</p>					