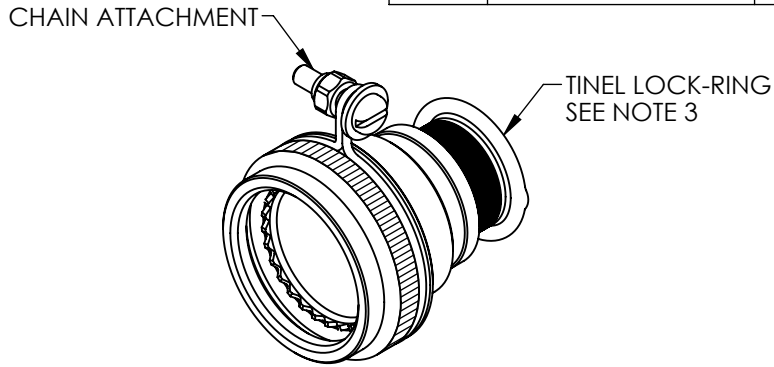


REV	DESCRIPTION	DATE	DWN	APVD
AA	INITIAL RELEASE	07/05/19	DW	MP
AB	ECR 7952	09/09/20	KKW	MP



CODE 41 - TINEL-LOCK BACKSHELL, J MODIFICATION CHAIN ATTACHMENT

TXR41AB00-1608AIJ

SERIES	_____
TXR: RING INCLUDED (SEE RING OPTION)	_____
TX: RING NOT INCLUDED	_____
CONNECTOR INTERFACE	_____
MATERIAL	_____
FINISH	_____
ANGLE	_____
SHELL SIZE (TABLE 1)	_____
ODD NUMBERS - MIL-DTL-38999 SERIES I	
EVEN NUMBERS - MIL-DTL-38999 SERIES II	
ENTRY SIZE (TABLE 2)	_____
RING OPTION	_____
AI - TO SUIT SINGLE BRAID	
BI - TO SUIT DOUBLE BRAID	
FOR TX, LEAVE BLANK	
MODIFICATION CODE	_____
J MODIFICATION CHAIN ATTACHMENT	

NOTES:


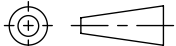
- THIS PRODUCT IS DESIGNED TO TERMINATE A BRAIDED CABLE SHIELD AND A HEAT SHRINKABLE LIPPED BOOT TO A CONNECTOR.
- THE INFORMATION CONTAINED ON THIS DRAWING SUPERSEDES THAT SHOWN IN SS-CH00-0250-008.
- SEE DRAWING TR FOR DETAIL ON TINEL-LOCK RING, RINGS ARE DESIGNED TO BE HEATED ELECTRICALLY, ALL RINGS ARE MARKED WITH THERMOCHROMIC PAINT WHICH CHANGES COLOUR WHEN INSTALLATION TEMPERATURE IS REACHED.
- BACKSHELL TO BE PERMANENTLY MARKED/BAGGED AND LABELLED WITH CODE IDENTIFICATION NUMBER AND PART NUMBER LESS RING DESIGNATOR. (e.g. 06090-TXR41AB00-1206J). RING SHALL BEAR NO MARKING.
- FOR LARGER ENTRY SIZES, A 2 PIECE BACKSHELL ASSEMBLY (TYPE 2) IS SUPPLIED.
- BACKSHELL MATES TO MIL-DTL-38999 SERIES I AND II, CLASS E AND T, MS27466, MS27467, MS27468, MS27472, MS27473, MS27474, MS37479, MS27480, MS27481, MS27484, MS27497, MS27652, MS27653, MS27656 CONNECTORS

RELEASED FOR PUBLICATION

ALL RIGHTS RESERVED.

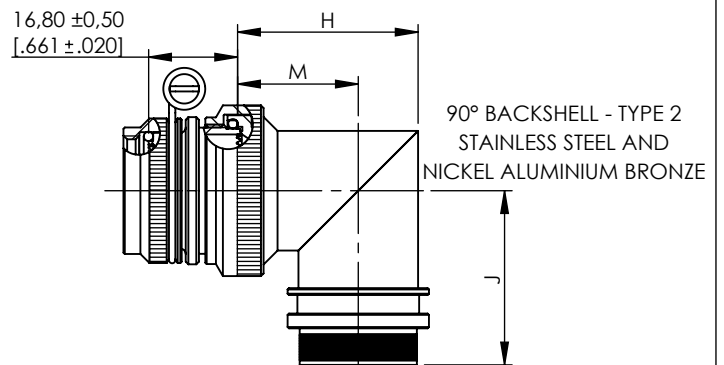
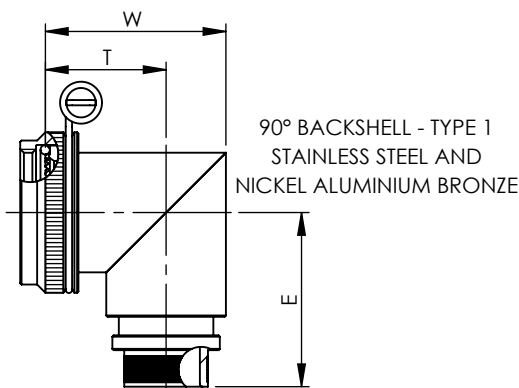
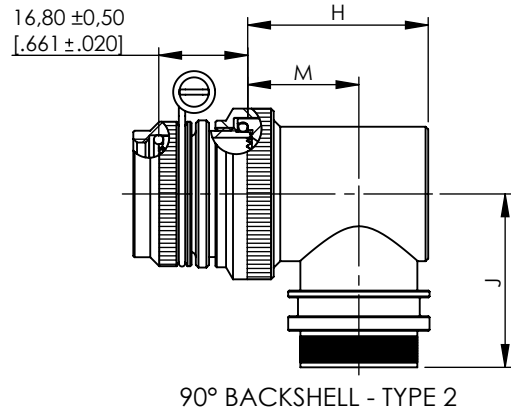
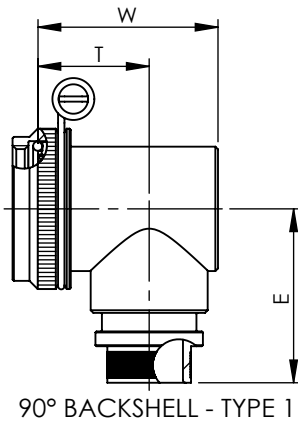
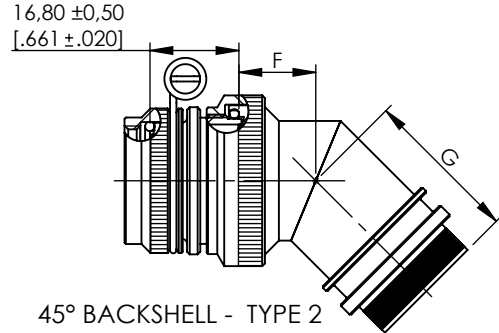
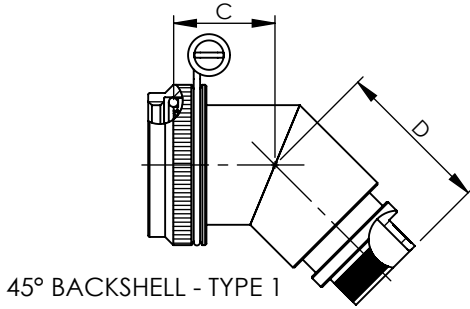
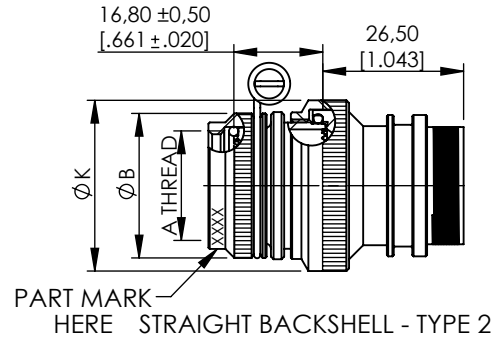
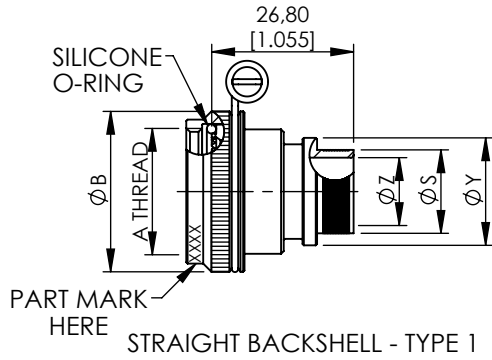
THIS DRAWING IS UNPUBLISHED.

COPYRIGHT 20 BY



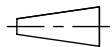
DIMENSIONS: MILLIMETERS	DWN: D.WRIGLEY	25/04/2019	MATERIAL: SEE PART NUMBER BREAKDOWN	FINISH: SEE PART NUMBER BREAKDOWN		
	CHK: R.STYLES	07/05/2019	 TE Connectivity			
TOLERANCES UNLESS OTHERWISE SPECIFIED:	APVD: M.PAUL	07/05/2019			PART NUMBER:	TXR41, J MODIFICATION SERIES
GENERAL TOL LINEAR ± 0.25 MM ANGULAR $\pm 1^\circ$	PRODUCT SPEC:	MIL-DTL-38999 SERIES I & II	NAME:			
	APPLICATION SPEC:	-	TINEL-LOCK BACKSHELL, J MODIFICATION			
	WEIGHT:	-	SIZE	CAGE CODE	DRAWING NO	RESTRICTED TO
	CUSTOMER DRAWING	-	A4	U5792	C-P43680	
			SCALE	1:1	SHEET	1 OF 3
					REV	AB

REVISION: AB - ECR7952

IF MAX ENTRY IS EXCEEDED, BACKSHELL WILL BE SUPPLIED AS TYPE 2



THIS DRAWING IS UNPUBLISHED. ALL RIGHTS RESERVED. © COPYRIGHT 20 BY

DIMENSIONS: MILLIMETERS	DWN: D.WRIGLEY	25/04/2019	MATERIAL: SEE PART NUMBER BREAKDOWN	FINISH: SEE PART NUMBER BREAKDOWN
	CHK: R.STYLES	07/05/2019	 TE Connectivity	
TOLERANCES UNLESS OTHERWISE SPECIFIED:	APVD: M.PAUL	07/05/2019		
GENERAL TOL LINEAR ±0.04" ANGULAR ±1°	PRODUCT SPEC: MIL-DTL-38999 SERIES I & II		NAME: TINEL-LOCK BACKSHELL, J MODIFICATION	
	APPLICATION SPEC: -		SIZE: A4	CAGE CODE: 06090
 	WEIGHT:		RESTRICTED TO	
	Customer Drawing		SCALE: 1:1	SHEET: 2 OF 3

REVISION: AB - ECR7952

TABLE 1

SHELL SIZE SERIES II		SHELL SIZE SERIES I	A THREAD	B MAX	MAX ENTRY	C +/-0.5 [+/-0.20]	D +/-0.5 [+/-0.20]	W +/-0.5 [+/-0.20]	T +/-0.5 [+/-0.20]	E +/-0.5 [+/-0.20]	W +/-0.5 [+/-0.20]	T +/-0.5 [+/-0.20]	E +/-0.5 [+/-0.20]
08		09	7/16-28 UNEF	18,3 [.720]	04	16,4 [.646]	26,8 [1.055]	21,0 [.827]	14,0 [.551]	26,20 [1.031]	21,3 [.839]	16,4 [.646]	26,4 [1.039]
10		11	9/16-24 UNEF	21,5 [.846]	07	17,2 [.677]	27,5 [1.083]	24,0 [.945]	15,5 [.610]	27,95 [1.100]	24,4 [.961]	17,3 [.681]	28,2 [1.110]
12		13	11/16-24 UNEF	24,5 [.965]	08	17,6 [.693]	28,0 [1.102]	27,0 [1.063]	17,0 [.669]	29,45 [1.159]	28,4 [1.118]	19,5 [.768]	29,7 [1.169]
14		15	13/16-20 UNEF	27,8 [1.094]	10	18,5 [.728]	29,0 [1.142]	31,0 [1.220]	19,5 [.768]	31,00 [1.220]	31,2 [1.228]	21,0 [.827]	31,2 [1.228]
16		17	15/16-20 UNEF	30,8 [1.213]	12	19,2 [.756]	29,7 [1.169]	34,0 [1.339]	21,0 [.827]	32,70 [1.287]	34,3 [1.35]	22,8 [.898]	32,9 [1.295]
18		19	1 1/16-18 UNEF	34,1 [1.343]	14	19,6 [.772]	30,5 [1.201]	35,0 [1.378]	20,0 [.787]	34,25 [1.348]	38,6 [1.52]	25,3 [.996]	34,5 [1.358]
20		21	1 3/16-18 UNEF	37,3 [1.469]	16	20,4 [.803]	30,9 [1.217]	38,0 [1.496]	21,5 [.846]	35,80 [1.409]	40,8 [1.606]	26,1 [1.028]	36,1 [1.421]
22		23	1 5/16-18 UNEF	40,5 [1.594]	18	20,8 [.819]	31,1 [1.224]	42,0 [1.654]	24,0 [.945]	37,40 [1.472]	43,8 [1.724]	27,6 [1.087]	37,6 [1.480]
				41,0 [1.614]									
24		25	1 7/16-18 UNEF	43,7 [1.720]	20	21,7 [.854]	32,1 [1.264]	45,0 [1.772]	25,5 [1.004]	38,90 [1.531]	46,5 [1.831]	29,1 [1.146]	39,1 [1.539]

DIMENSIONS APPLY FOR STAINLESS STEEL AND NICKEL ALUMINIUM BRONZE BACKSHELLS

TABLE 2

ENTRY SIZE	Z MIN	S	Y +/-0.3 [+/-0.12]	K MAX	F +/-0.5 [+/-0.20]	G +/-0.5 [+/-0.20]	H +/-0.5 [+/-0.20]	M +/-0.5 [+/-0.20]	J +/-0.5 [+/-0.20]	H +/-0.5 [+/-0.20]	M +/-0.5 [+/-0.20]	J +/-0.5 [+/-0.20]
04	6.35 [.250]	9.49 +/-0.04 [.374 +/-0.002]	14.00 [.551]	NA	NA	NA	NA	NA	NA	NA	NA	NA
05	7.92 [.312]	11.06 +/-0.04 [.435 +/-0.002]	15.50 [.610]	21.0 [.827]	12.5 [.492]	27.5 [1.083]	24.0 [.945]	15.5 [.610]	27.95 [1.100]	24.3 [.957]	17.2 [.677]	28.2 [1.110]
06	9.53 [.375]	12.66 +/-0.04 [.498 +/-0.002]	17.10 [.673]	21.0 [.827]	12.5 [.492]	27.5 [1.083]	24.0 [.945]	15.5 [.610]	27.95 [1.100]	24.3 [.957]	17.2 [.677]	28.2 [1.110]
07	11.10 [.437]	14.21 +/-0.07 [.559 +/-0.003]	18.70 [.736]	21.0 [.827]	12.5 [.492]	27.5 [1.083]	24.0 [.945]	15.5 [.610]	27.95 [1.100]	24.3 [.957]	17.2 [.677]	28.2 [1.110]
08	12.70 [.500]	15.81 +/-0.07 [.622 +/-0.003]	20.30 [.799]	24.5 [.965]	13.1 [.516]	28.0 [1.102]	27.0 [1.063]	17.0 [.669]	29.45 [1.159]	28.3 [1.114]	19.4 [.764]	29.7 [1.169]
10	15.88 [.625]	18.96 +/-0.08 [.746 +/-0.003]	23.50 [.925]	29.0 [1.142]	13.5 [.531]	29.0 [1.142]	31.0 [1.220]	19.5 [.771]	31.00 [1.220]	31.1 [1.224]	21.0 [.827]	31.2 [1.228]
12	19.05 [.750]	22.14 +/-0.08 [.872 +/-0.003]	26.70 [1.051]	32.5 [1.280]	14.5 [.571]	29.7 [1.169]	34.0 [1.339]	21.0 [.827]	32.70 [1.287]	34.2 [1.346]	22.8 [.898]	32.9 [1.295]
14	22.23 [.875]	25.30 +/-0.08 [.996 +/-0.003]	29.80 [1.173]	35.5 [1.398]	15.5 [.610]	30.5 [1.201]	35.0 [1.378]	20.0 [.787]	34.25 [1.348]	38.5 [1.516]	25.3 [.996]	34.5 [1.358]
16	25.40 [1.000]	28.48 +/-0.08 [1.121 +/-0.003]	33.00 [1.299]	37.0 [1.457]	16.1 [.634]	30.9 [1.217]	38.0 [1.496]	21.5 [.846]	35.80 [1.409]	40.7 [1.602]	26.1 [1.028]	36.1 [1.421]
18	28.58 [1.125]	31.65 +/-0.08 [1.246 +/-0.003]	36.20 [1.425]	40.0 [1.575]	16.5 [.650]	31.1 [1.224]	42.0 [1.654]	24.0 [.945]	37.40 [1.472]	43.7 [1.720]	27.6 [1.087]	37.6 [1.480]
20	31.75 [1.250]	34.83 +/-0.08 [1.371 +/-0.003]	39.40 [1.551]	43.5 [1.713]	17.0 [.669]	32.1 [1.264]	45.0 [1.772]	25.5 [1.004]	38.90 [1.531]	46.4 [1.827]	29.1 [1.146]	39.1 [1.539]
22	34.93 [1.375]	37.98 +/-0.08 [1.495 +/-0.003]	42.50 [1.673]	48.5 [1.909]	18.5 [.728]	35.3 [1.390]	54.5 [2.146]	31.0 [1.220]	42.00 [1.654]	50.0 [1.969]	31.0 [1.220]	42.0 [1.654]
24	38.10 [1.500]	41.15 +/-0.08 [1.620 +/-0.003]	45.70 [1.799]	52.1 [2.051]	21.9 [.862]	38.1 [1.500]	58.0 [2.283]	33.0 [1.299]	46.00 [1.811]	53.5 [2.106]	33.0 [1.299]	46.0 [1.811]

DIMENSIONS APPLY FOR STAINLESS STEEL AND NICKEL ALUMINIUM BRONZE BACKSHELLS

RELEASED FOR PUBLICATION

ALL RIGHTS RESERVED.

THIS DRAWING IS UNPUBLISHED.

COPYRIGHT © 20 BY

DIMENSIONS: MILLIMETERS

DWN: D.WRIGLEY 25/04/2019

07/05/2019

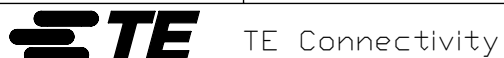
MATERIAL: SEE PART NUMBER BREAKDOWN

FINISH: SEE PART NUMBER BREAKDOWN

TOLERANCES UNLESS OTHERWISE SPECIFIED:

CHK: R.STYLES

07/05/2019



APVD: M.PAUL

07/05/2019

PART NUMBER:

TXR41, J MODIFICATION SERIES

GENERAL TOL LINEAR ±0.04° ANGULAR ±1°

PRODUCT SPEC: MIL-DTL-38999 SERIES I & II

NAME:

TINEL-LOCK BACKSHELL, J MODIFICATION

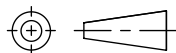
APPLICATION SPEC:

SIZE

CAGE CODE

DRAWING NO

RESTRICTED TO



WEIGHT:

A4

06090

C=P43680

Customer Drawing

SCALE

1:1

SHEET

3

OF

3

REV

AB