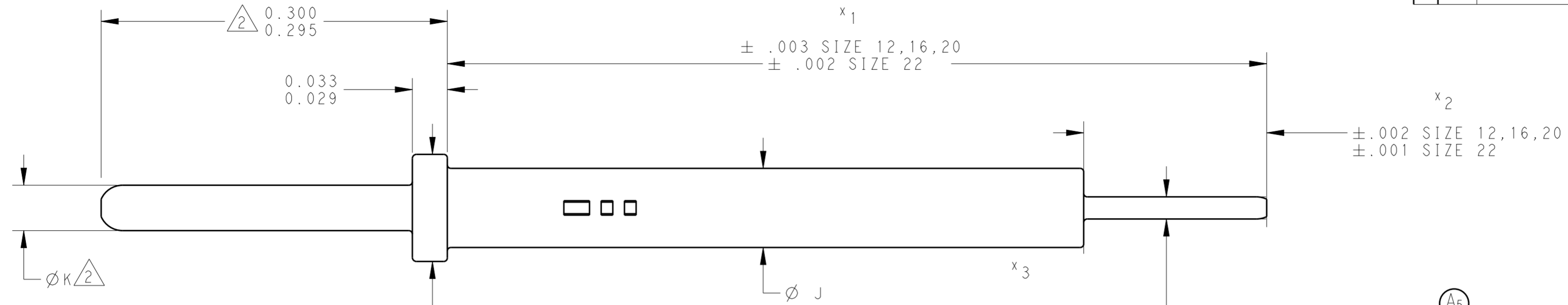
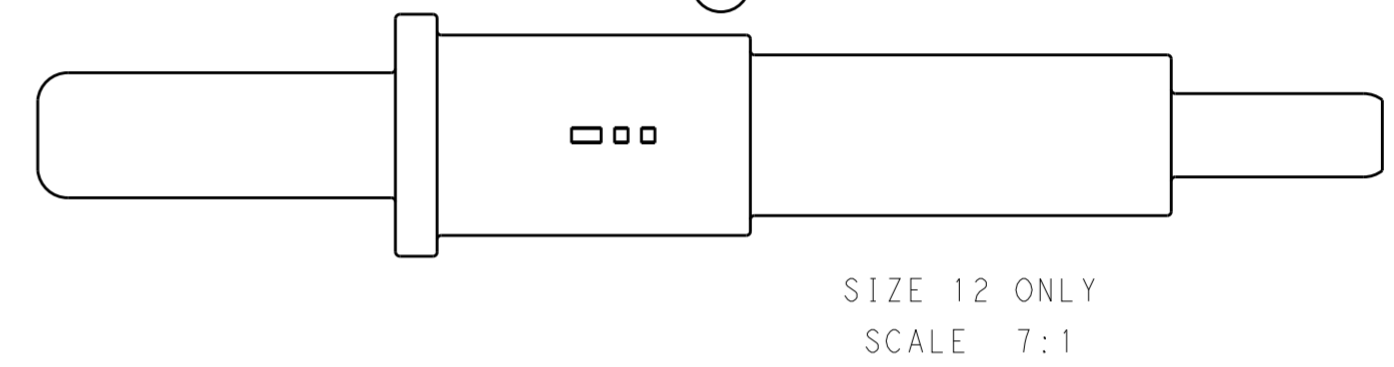


THIS DRAWING IS UNPUBLISHED. RELEASED FOR PUBLICATION 2016
 © COPYRIGHT 2016 BY - TE OCEANSIDE ALL RIGHTS RESERVED.

LOC		DIST		REVISIONS			
P	LTR	DESCRIPTION	DATE	DWN	APVD		
	A	NEW RELEASE PER ECO-18-019710	181217	JCC	AR		



PCB31 x₁ x₂ x₃ - x₄ x₅
 FINISH
 CONTACT SIZE, 12,16,20,22
 TAIL DIAMETER
 TAIL LENGTH
 EXTENSION LENGTH
 BASIC IDENTIFIER: PCB PIN CONTACT FOR 38999 SERIES I, III, IV



OPTION	x ₁ EXTENSION LENGTH	EXTENSION BEYOND THE GROMMET OF A STANDARD TE D38999/20, OR /24 ±.025
M	.487	N/A
J	.510	N/A
A	.703	.163
B	.750	.210
C	.770	.230
D	.806	.266
E	.854	.314
F	.905	.365
K	.948	.408
G	.970	.430

OPTION	x ₂ TAIL LENGTH
F	.142
G	.157
K	.200
P	.267
R	.300
M	.340
N	NO VISIBLE STAND OFF WHEN USING A STANDARD TE D38999/20, OR /24

OPTION	x ₃ TAIL DIAMETER			
	SIZE 22	SIZE 20	SIZE 16	SIZE 12
A	.019	.019	.044	.062
C	.025	.040	N/A	.094
B	.028	.028	.0615	.080
△4 P	.030	.040	.0620	.094
N	.040	.060	.080	.120

OPTION	xx ₄ CONTACT SIZE		
	∅J	∅H	∅K △2
22	.048/.046	.062/.060	.0305/.0295
20	.070/.068	.094/.091	.041/.039
16	.103/.101	.130/.127	.0635/.0615
12	.122/.118	.182/.179	.095/.093

OPTION	xx ₅ FINISH △1
90	GOLD OVERALL
31	GOLD OVERALL
31L	SELECTIVE GOLD
31SD	SOLDER DIP OVER GOLD
31SDR	ROHS SOLDER DIP, GOLD
31SDL	LEADED SOLDER DIP, GOLD

△4 PIN DIAMETER PER AS39029/58

3. NOT ALL COMBINATIONS ARE AVAILABLE. CONTACT MANUFACTURER FOR CONFIRMATION.

△2 ENGAGEMENT END PER AS39029/58

△1 FINISH: GOLD PLATED

THIS DRAWING IS A CONTROLLED DOCUMENT.

DIMENSIONS: INCHES	TOLERANCES UNLESS OTHERWISE SPECIFIED: 0 PLC ±-. 1 PLC ±.01 2 PLC ±.01 3 PLC ±.005 4 PLC ±.0005 ANGLES ±. FINISH △1	DWN: EHAB ALAWNEH 160930 CHK: ALEX TEUNISSEN 160930 APVD: ALEX TEUNISSEN 160930 PRODUCT SPEC: NA APPLICATION SPEC: NA WEIGHT: - CUSTOMER DRAWING	TE Connectivity NAME: PCB PIN CONTACT USED ON D38999 SERIES I, III, IV MATING END PER AS39029/58 SIZE: A2 CAGE CODE: 111139 DRAWING NO: PCB31xxx-xxxx RESTRICTED TO: - SCALE: 4:1 SHEET 1 OF 1 REV A
--------------------	------------------------------------------------------------------------------------------------------------------------------------------	--------------------------------------------------------------------------------------------------------------------------------------------------------------------	------------------------------------------------------------------------------------------------------------------------------------------------------------------------------------------------------------------