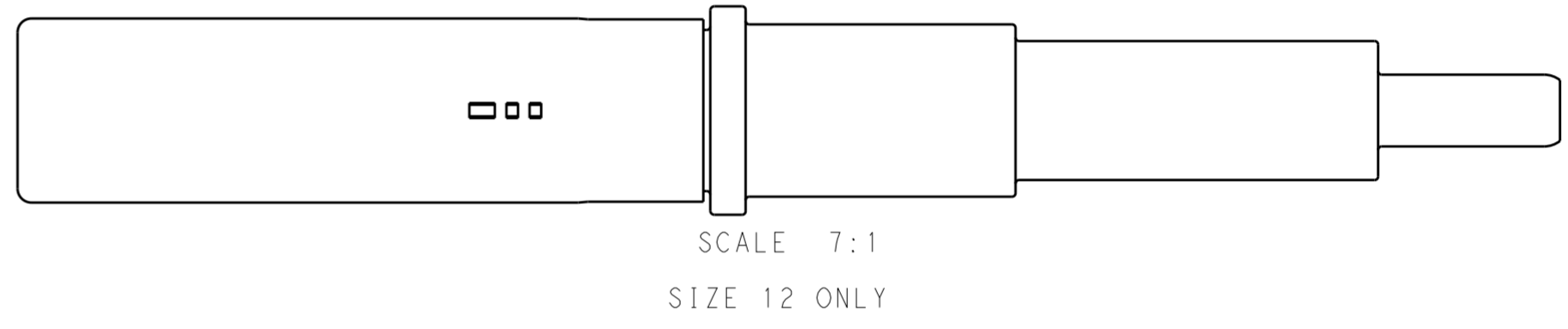
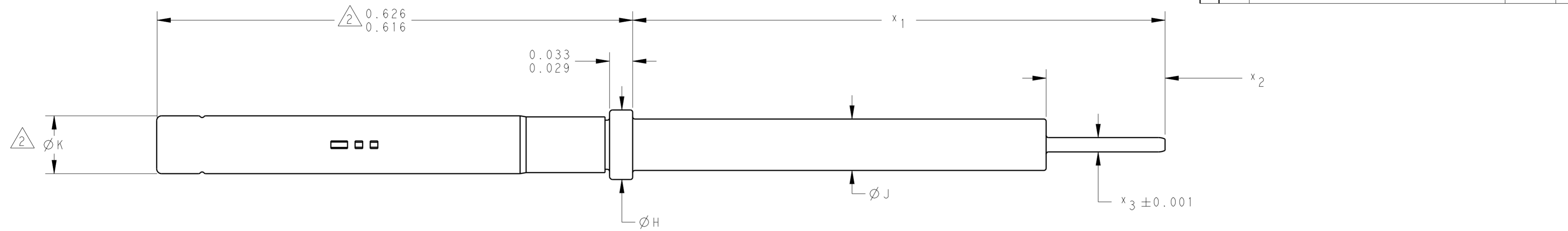


THIS DRAWING IS UNPUBLISHED. RELEASED FOR PUBLICATION 2016
 © COPYRIGHT 2016 BY - TE OCEANSIDE ALL RIGHTS RESERVED.

REVISIONS							
LOC	DIST	P	LTR	DESCRIPTION	DATE	DWN	APVD
-	-		A	REVISED PER ECO-17-000748	170118	SS	AT
			B	REDRAWN AND REVISED PER ECO-18-019712	181217	JCC	AR

T. E. PROPRIETARY AND CONFIDENTIAL
 This drawing contains proprietary information that shall not be disclosed, duplicated nor used in whole or in part for any purpose other than to evaluate this drawing.



B₁

OPTION	x ₁ EXTENSION LENGTH	EXTENSION BEYOND THE GROMMET OF A STANDARD TE D38999/20, OR /24 ±.025
M	0.487	N/A
J	0.510	N/A
A	0.703	0.163
B	0.750	.210
C	0.770	.230
D	0.806	.266
E	0.854	.314
F	0.905	.365
K	0.948	.408
G	0.970	.430

B₂

OPTION	x ₂ TAIL LENGTH
F	0.142
G	0.157
K	0.200
P	0.267
R	0.300
M	0.340
N	NO VISIBLE STAND OFF WHEN USING A STANDARD TE D38999/20, OR /24

B₃

OPTION	x ₃ TAIL DIAMETER			
	SIZE 22	SIZE 20	SIZE 16	SIZE 12
A	.019	.019	.044	.062
C	.025	.040	N/A	.094
B	.028	.028	.0615	.080
⁴ P	.030	.040	.062	.094
N	.040	.060	.080	.120

OPTION	xx ₄ CONTACT SIZE		
	∅J	∅H	∅K/2
22	.048/.046	.062/.060	.062
20	.070/.068	.094/.091	.078
16	.103/.101	.130/.127	.113
12	.122/.118	.182/.179	.161

B₃

OPTION	xx ₅ FINISH ¹
90	GOLD OVERALL
31	GOLD OVERALL
31L	SELECTIVE GOLD
31SD	SOLDER DIP, GOLD
31SDR	ROHS SOLDER DIP, GOLD
31SDL	LEADED SOLDER DIP, GOLD

⁴ PIN DIAMETER PER AS39029/58.

3. NOT ALL COMBINATIONS ARE AVAILABLE. CONTACT MANUFACTURER FOR CONFIRMATION.

² ENGAGEMENT END PER AS39029/56

¹ FINISH: GOLD PLATED

THIS DRAWING IS A CONTROLLED DOCUMENT.		DWN 160930 EHAB ALAWNEH	TE Connectivity
DIMENSIONS: INCH		CHK 160930 ALEX TEUNISSEN	
TOLERANCES UNLESS OTHERWISE SPECIFIED:		APVD 160930 ALEX TEUNISSEN	
0 PLC ±- 1 PLC ±.1 2 PLC ±.01 3 PLC ±.005 4 PLC ±.0005 ANGLES ±- FINISH ¹		NAME PCB SOCKET CONTACT USED ON D38999 SERIES I, III, IV MATING END PER AS39029/56 PRODUCT SPEC NA APPLICATION SPEC NA WEIGHT - CUSTOMER DRAWING	
MATERIAL: COPPER ALLOY	SCALE: 3:1	SIZE: A2	DRAWING NO: C-PCB33xxx-xxxx SHEET 1 OF 1 REV B