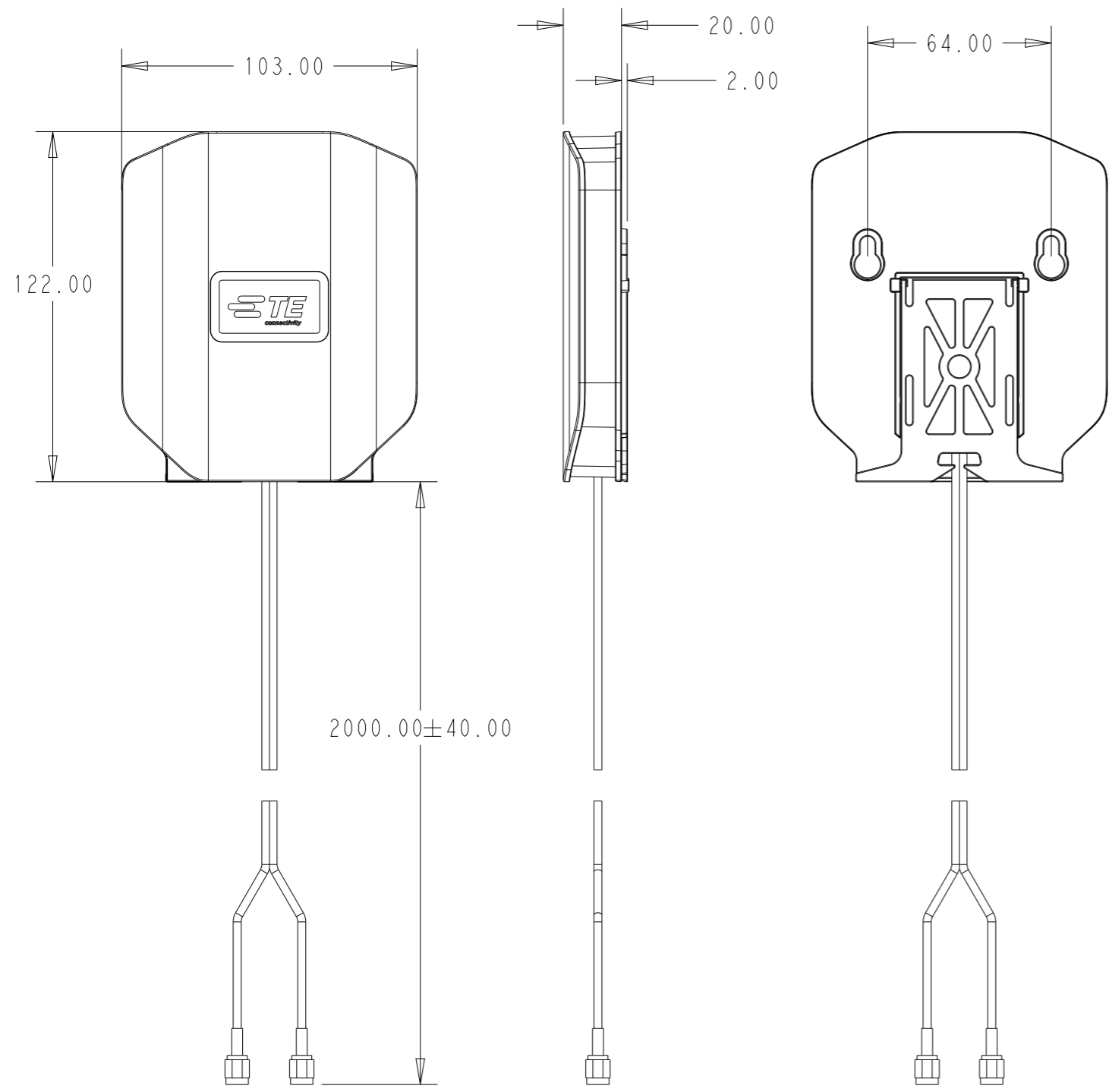



© 2022 TE Connectivity. All Rights Reserved.

REVISIONS

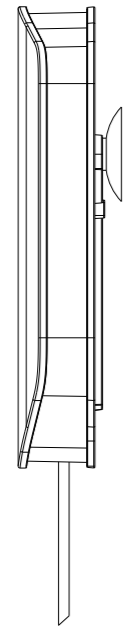
P	LTR	DESCRIPTION	DATE	DWN	APVD
	A	ECO-22-00113	14 JUNE 2022	CHEE	WTNG
	A2	ECN-22-181198	22 JULY 2022	CHEE	WTNG



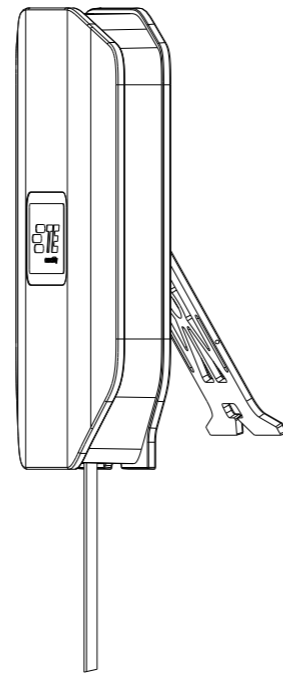
Parameter	Performance					
Part Number	PDD61606C-200SMAM					
No. of Ports	2					
Operating Frequency, MHz	617-698	698-960	1452-1496	1559-1606	1690-4200	4200-6000
VSWR (Max)*	<3:0	<2:0	<2:0	<2:0	<2:0	<3:0
Isolation (Max), dB	>10	>10	>15	>15	>15	>15
Polarization	Linear Vertical					
Impedance, ohm	50					
Azimuth Beam Width	360 , Omnidirectional					
Power Rating, W	5					
Weight, g	132.0					
Color	Black					
Cable Length, mm	2000 ± 40.0					
Cable type	RG174, Twin Cable					
Operating Temperature	-40 °C ~ +85 °C					
Storage Temperature	-40 °C ~ +85 °C					
RoHS Compliance	Yes					
Connector	SMA Male					

THIS DRAWING IS A CONTROLLED DOCUMENT.		DWN	TP CHEE	25-Oct-22	 TE Connectivity											
DIMENSIONS: mm		CHK	TP CHEE	12-APR-22												
TOLERANCES UNLESS OTHERWISE SPECIFIED:		APVD	WT NG	12-APR-22												
<table border="0"> <tr><td>0 PLC</td><td>±-</td></tr> <tr><td>1 PLC</td><td>±0.1</td></tr> <tr><td>2 PLC</td><td>±0.01</td></tr> <tr><td>3 PLC</td><td>±0.001</td></tr> <tr><td>4 PLC</td><td>±0.0001</td></tr> <tr><td>ANGLES</td><td>±-</td></tr> </table>		0 PLC	±-	1 PLC		±0.1	2 PLC	±0.01	3 PLC	±0.001	4 PLC	±0.0001	ANGLES	±-	PRODUCT SPEC	
0 PLC	±-															
1 PLC	±0.1															
2 PLC	±0.01															
3 PLC	±0.001															
4 PLC	±0.0001															
ANGLES	±-															
MATERIAL N/A		APPLICATION SPEC		-	NAME	RP20 LITE, MiMo 5G, 4G/LTE GAIN ANTENNA										
FINISH N/A		WEIGHT		-	SIZE	A3										
		CUSTOMER DRAWING		-	CAGE CODE	00779										
				-	DRAWING NO	©-PDD61606C-200MAM										
				-	RESTRICTED TO	-										
				-	SCALE	1:2										
				-	SHEET	1 OF 2										
				-	REV	A2										

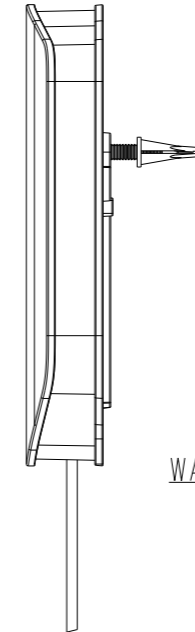
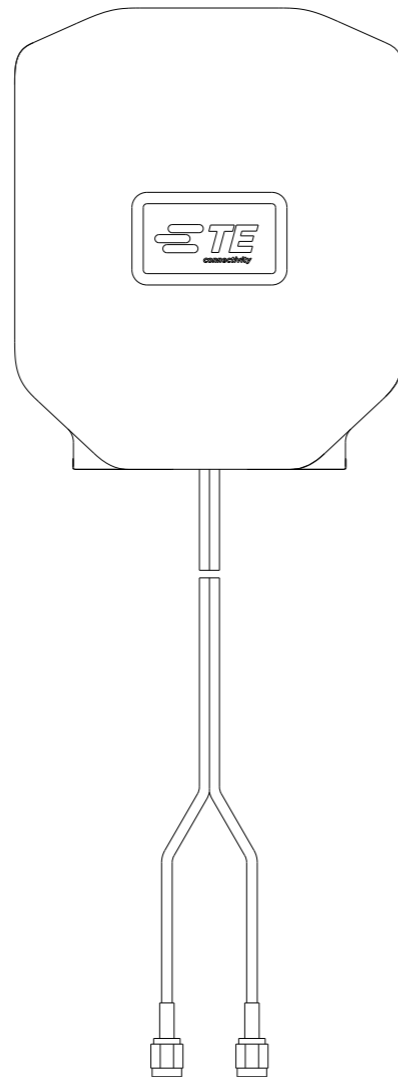
P	LTR	DESCRIPTION	DATE	DWN	APVD
-	-	SEE SHEET 1	-	-	-




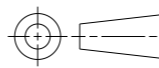
SUCTION CUP MODE



DESK STAND MODE



WALL MOUNT MODE

THIS DRAWING IS A CONTROLLED DOCUMENT.		DWN TP CHEE	12-APR-22	 TE Connectivity	
DIMENSIONS: mm		CHK TP CHEE	12-APR-22		
		APVD WT NG	12-APR-22	NAME RP20 LITE, MiMo 5G, 4G/LTE GAIN ANTENNA	
TOLERANCES UNLESS OTHERWISE SPECIFIED:		PRODUCT SPEC	-	RESTRICTED TO	
0 PLC ±-		APPLICATION SPEC	-	SIZE A3	CAGE CODE 00779
1 PLC ±0.1		WEIGHT	-	DRAWING NO C-PDD61606C-200MAM	SCALE 1:2
2 PLC ±0.01		CUSTOMER DRAWING	-	SHEET 2 OF 2	REV A2
3 PLC ±0.001					
4 PLC ±0.0001					
ANGLES ±-					
MATERIAL N/A					
FINISH N/A					