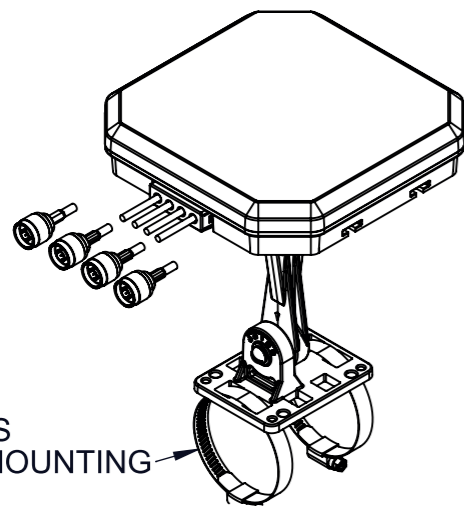
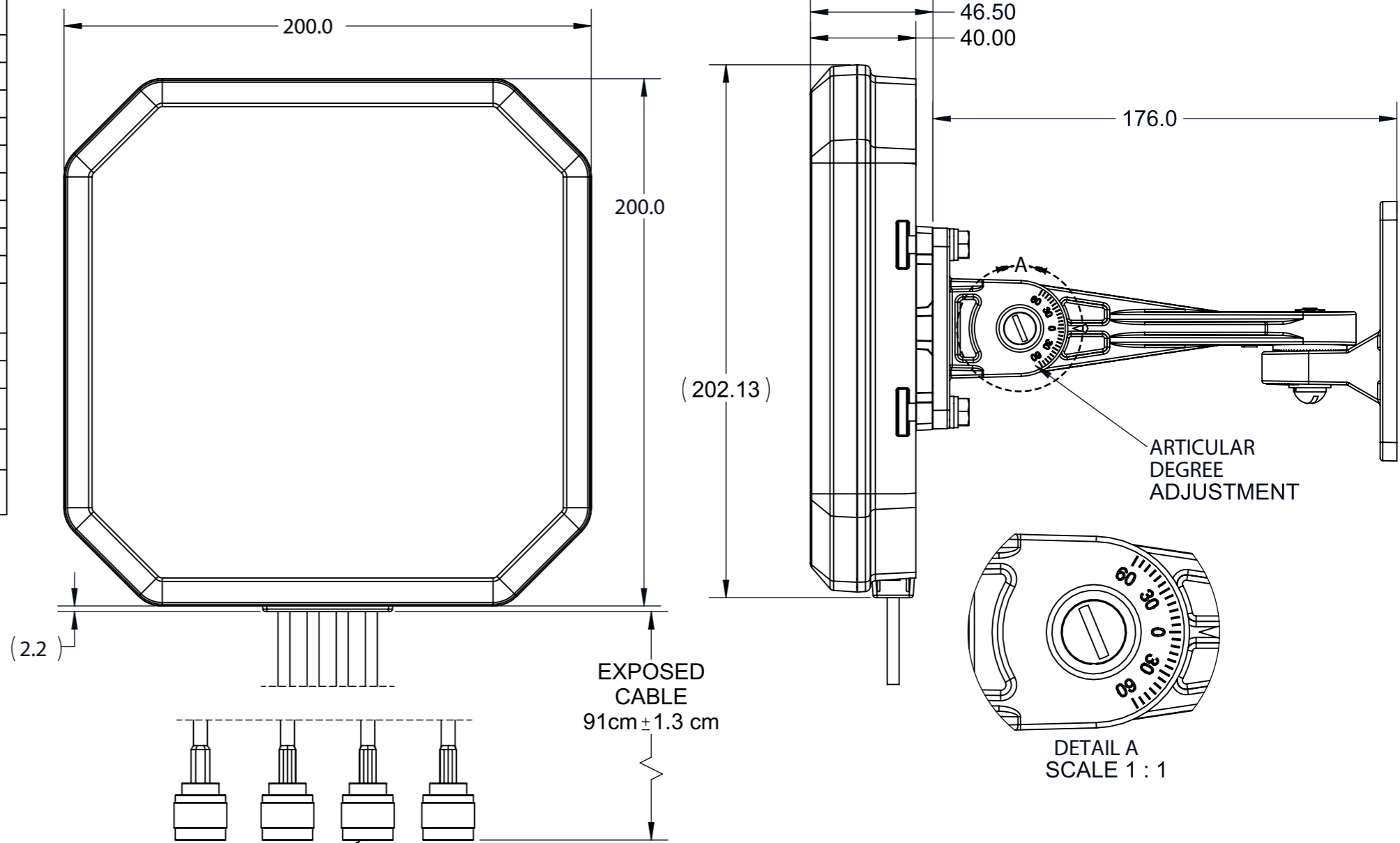


| PARAMETER | PERFORMANCE | |
|-------------------------------------|--|--|
| Model Number | PSQ24495-91NM | |
| Antenna Type | Directional | |
| RF Connector | N TYPE Male pigtail | |
| Cable Type | Lo -Temp Plenum | |
| Cable Length cm (in) | 91 cm (35.8 in) | |
| Frequencies MHz | 2400-2500 | 4900-6000 |
| Gain (dBi) MAX | 5.5 | 6.0 |
| Azimuth Co-Polar Beam Width (DEG) | 85° TYP | 90° TYP |
| Elevation Co-Polar Beam Width (DEG) | 110° TYP | 85° TYP |
| VSWR MAX | <2.0:1 | <2.0:1 |
| Port to Port Isolation | >15dB | >20dB |
| Front to Side | >8 dB | >10 dB |
| Front to Back | >13 dB | >20 dB |
| Polarization | Slant Linear ±45° | |
| Weight | .70 kg (1.54 LBS) | |
| Storage Temperature | -40°C to +85°C | |
| Operational Temperature | -30°C to +70°C | |
| Outdoor Rated | IP67 | |
| Radome Material | ASA LURAN S778T, UV Stable White, UL94-V0 | |
| RoHS Compliant | Yes | |
| Max Power (Watts) | 10 W | |
| Wind Surface Area | @0.062m ² (0.66ft ²) | @09, 0.008m ² (0.09ft ²) |
| Wind Survival | 200 km/h (125 MPH) | |
| Wind Operational | 160 km/h (100 MPH) | |

| REVISIONS | | | | | |
|-----------|---------------|---------------|---|-----------------|------------------|
| REV. | ECN# | ZONE | DESCRIPTION | CHANGED BY/DATE | APPROVED BY/DATE |
| F01 | ECN-IAS-04990 | | ORIGINATED AND RELEASED PER ECN | M.L. 04DEC15 | T.P. 23FEB16 |
| F02 | ECN-IAS-05606 | | CHANGED BASE MOUNTING PANEL TO ARTICULAR MOUNT. | M.L. 25JAN17 | T.P. 25JAN17 |
| F03 | ECN-IAS-06076 | | ADD TO PERFORMANCE CHART WIND INFORMATION | M.L. 10MAR17 | R.C. 10MAR17 |
| F04 | ECN-IAS-06094 | PERFORM CHART | CHANGE GAIN FOR FREQ 4.90-6.00 GHz from 5.5 to 6.0. CHANGE FREQ 2.49 TO 2.50 | M.L. 17MAR17 | T.P. 17MAR17 |



Connector Type
N-Male 4X

| MATERIAL: N/A | THIRD ANGLE PROJECTION | | | | | | | | | | | |
|---|------------------------|---------------------------------|------|------------------------|---------|----------------------------|---------|----------------------|---------|------------------------|---------|----------------------|
| FINISH: N/A | DO NOT SCALE DRAWING | | | | | | | | | | | |
| <table border="1"> <thead> <tr> <th>APPROVALS</th> <th>DATE</th> </tr> </thead> <tbody> <tr> <td>DRAWN BY: M.LABONVILLE</td> <td>13JAN15</td> </tr> <tr> <td>ELEC. ENG.: T. PETROPOULOS</td> <td>13JAN15</td> </tr> <tr> <td>MECH. ENG.: S. SAFVI</td> <td>13JAN15</td> </tr> <tr> <td>MFG./OPS.: B. THATCHER</td> <td>13JAN15</td> </tr> </tbody> </table> | | APPROVALS | DATE | DRAWN BY: M.LABONVILLE | 13JAN15 | ELEC. ENG.: T. PETROPOULOS | 13JAN15 | MECH. ENG.: S. SAFVI | 13JAN15 | MFG./OPS.: B. THATCHER | 13JAN15 | <p>PSQ24495-91NM</p> |
| APPROVALS | DATE | | | | | | | | | | | |
| DRAWN BY: M.LABONVILLE | 13JAN15 | | | | | | | | | | | |
| ELEC. ENG.: T. PETROPOULOS | 13JAN15 | | | | | | | | | | | |
| MECH. ENG.: S. SAFVI | 13JAN15 | | | | | | | | | | | |
| MFG./OPS.: B. THATCHER | 13JAN15 | | | | | | | | | | | |
| <p>INTERPRET DIMENSIONING AND TOLERANCING IN ACCORDANCE WITH ASME Y14.5M-2009</p> <p>TOLERANCES UNLESS OTHERWISE SPECIFIED</p> <p>DIMENSIONS ARE IN MILLIMETERS</p> <p>ANGLE: ±30' 0 PLACE DECIMAL: ±0.5 1 PLACE DECIMAL: ±0.25 2 PLACE DECIMAL: ±0.13</p> <p>SURFACE ROUGHNESS 1.6/√</p> | | | | | | | | | | | | |
| <p>SIZE A3</p> | | <p>DWG. NO. PSQ24495-91NMMO</p> | | | | | | | | | | |
| <p>SCALE: 1:2</p> | | <p>REV F04</p> | | | | | | | | | | |
| <p>PREVIOUS#</p> | | <p>SHEET 1 OF 2</p> | | | | | | | | | | |

THIS DRAWING IS UNPUBLISHED. RELEASED FOR PUBLICATION
© Copyright 2022 TE Connectivity Ltd. ALL RIGHTS RESERVED.

6

5

4

3

2

1

D

D

C

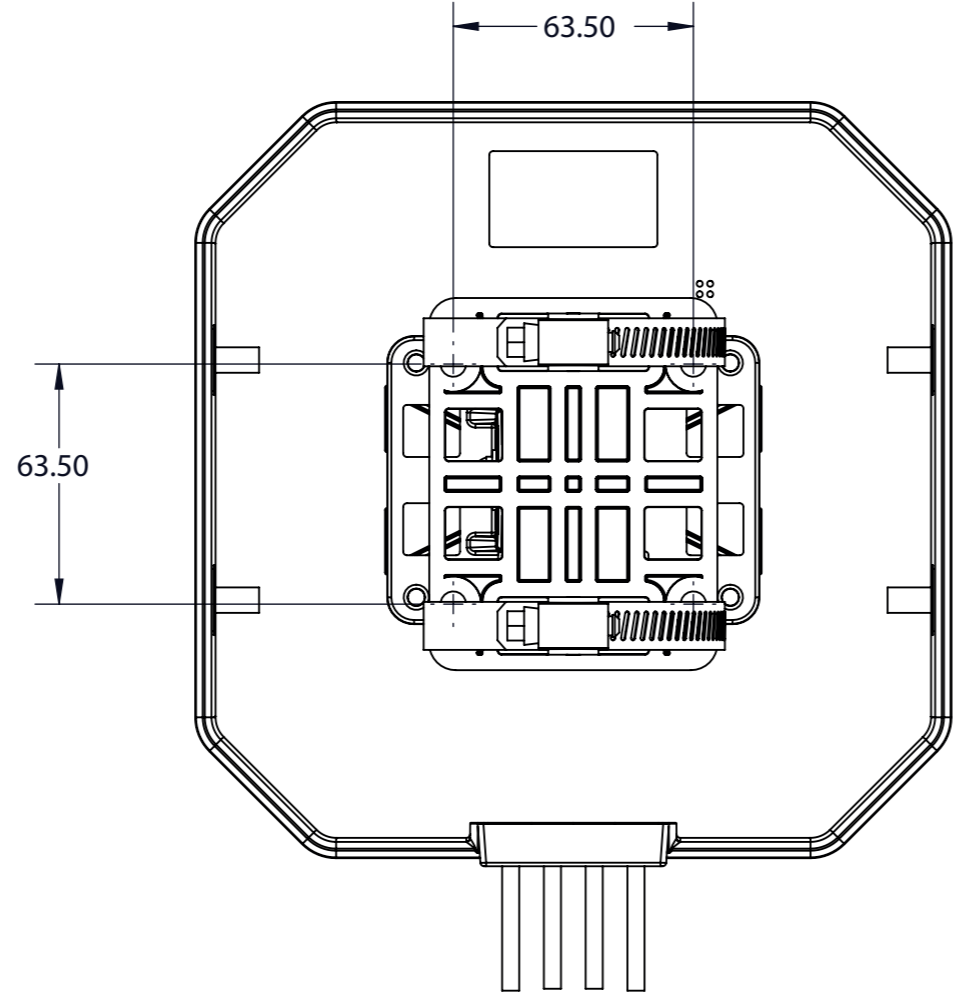
C

B

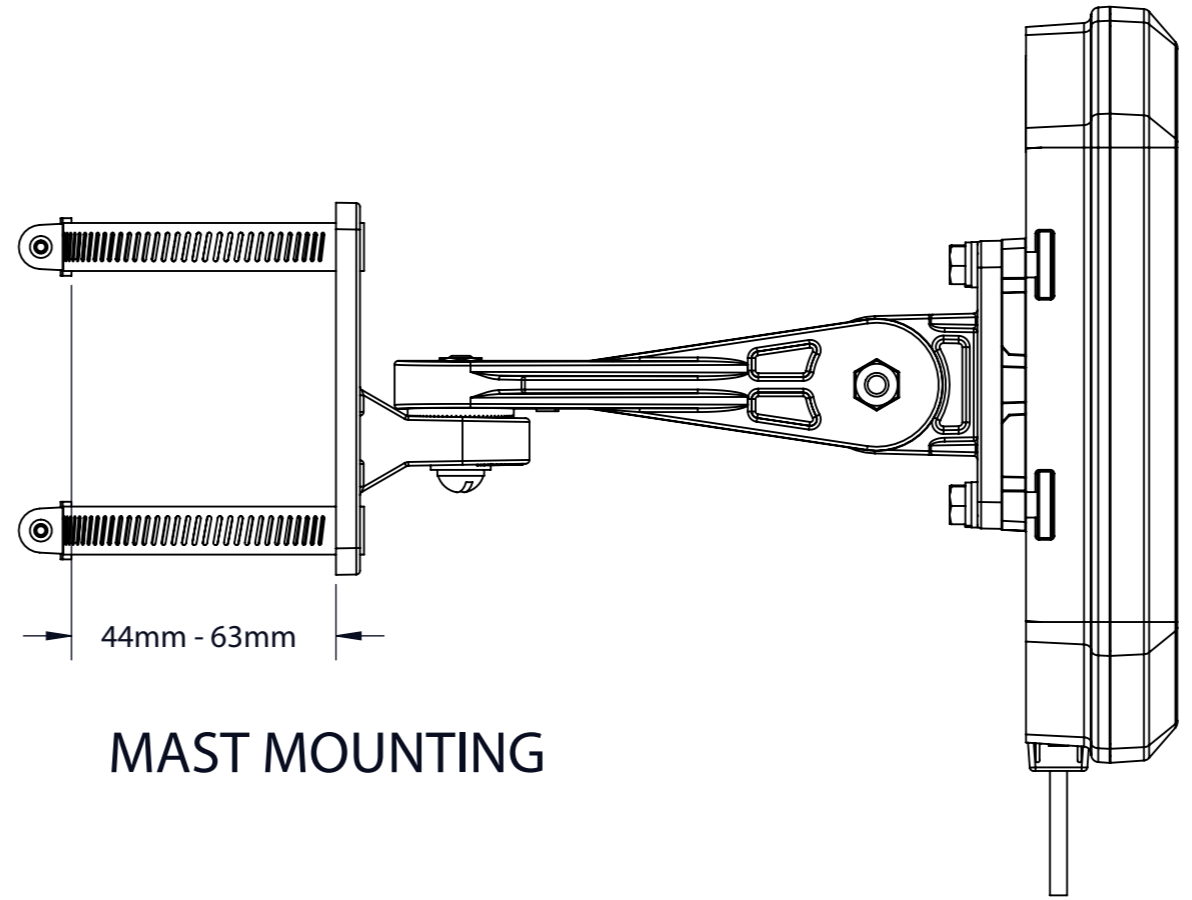
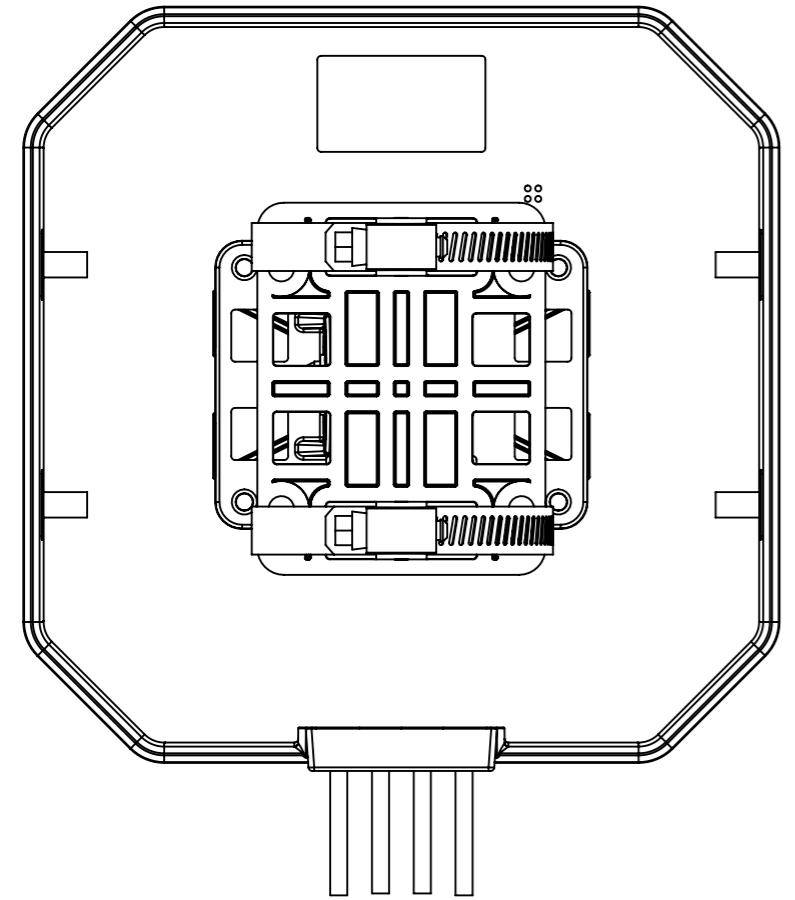
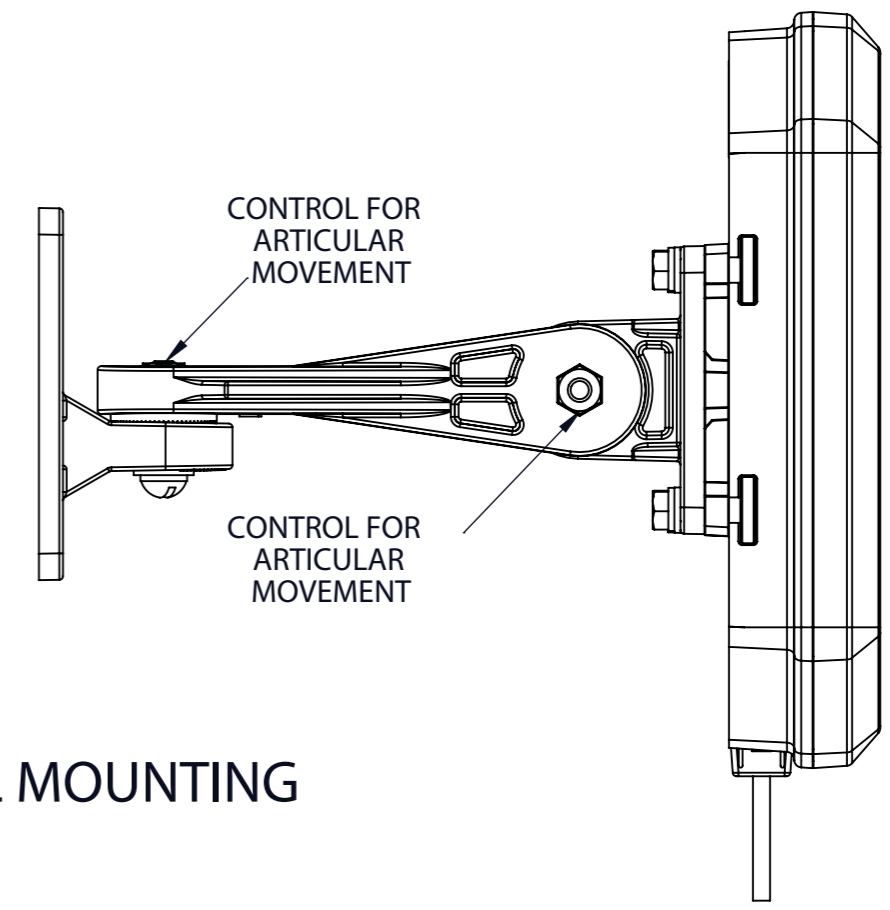
B

A

A



WALL MOUNTING



MAST MOUNTING



| | | |
|-------------------|------------------------------------|-------------------|
| SIZE A3 | DWG. NO. PSQ24495-91NMMO | REV F04 |
| SCALE: 1:2 | PREVIOUS# | SHEET 2 OF 2 |

6

5

4

3

2

1