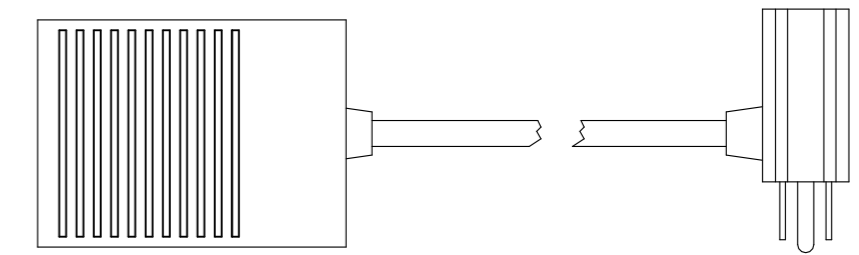
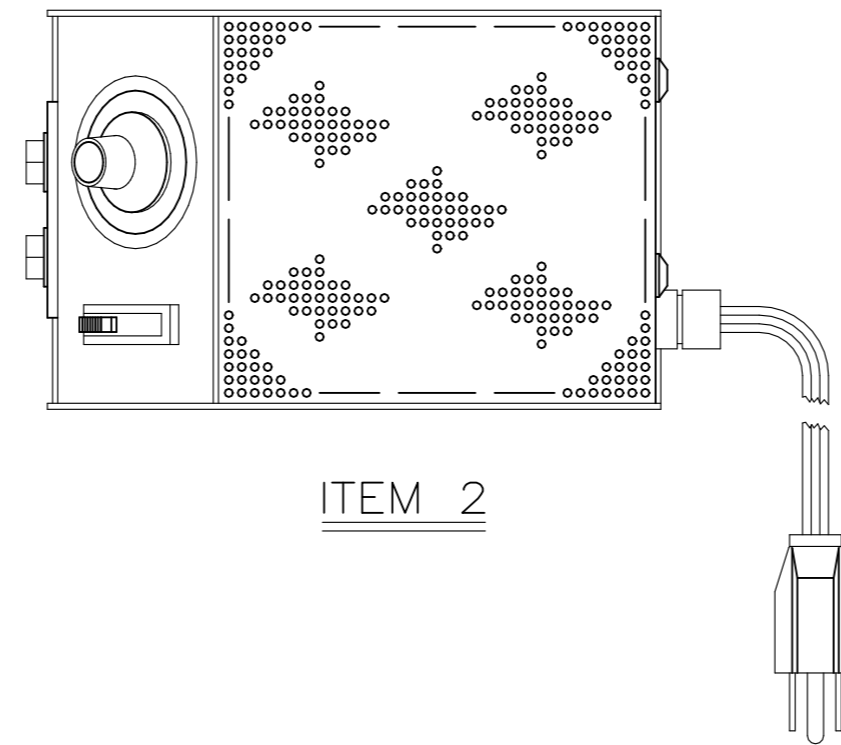
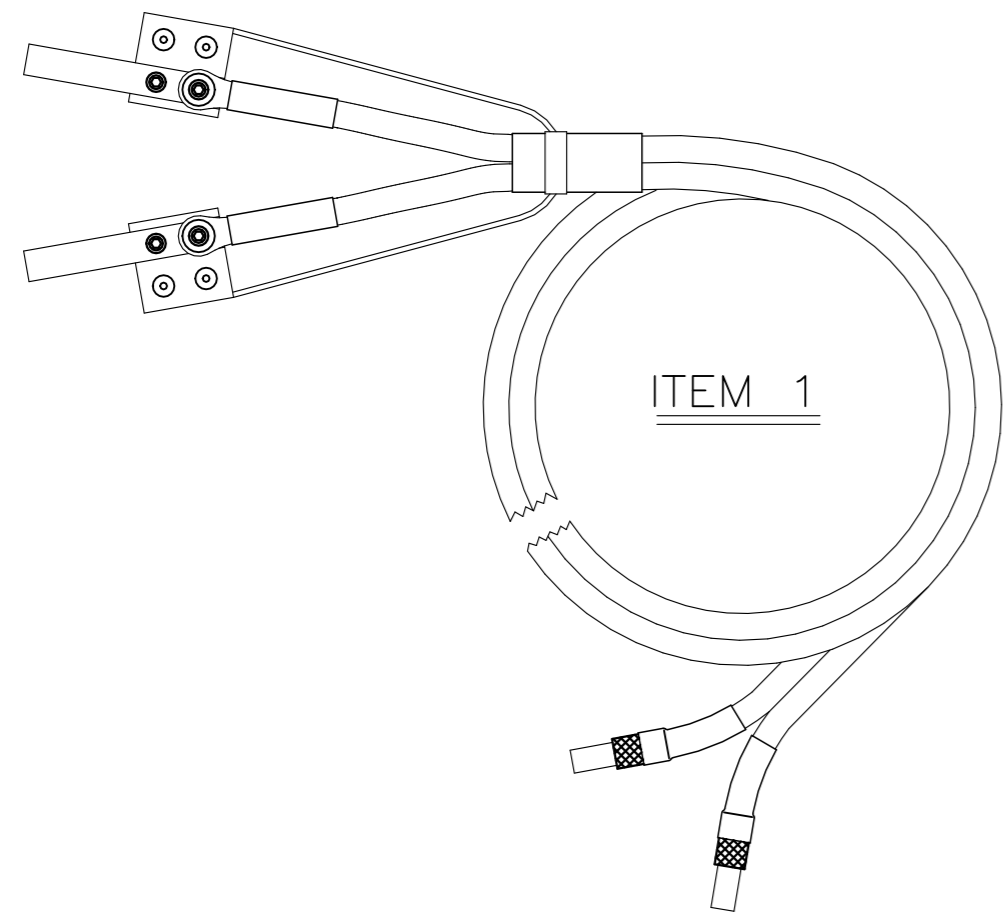


© 2023 TE Connectivity. All Rights Reserved.		
PART NUMBER	REV	FIRST USED
173643-000	D	-

REVISIONS					
P	LTR	DESCRIPTION	DATE	DWN	APVD
D		ECR-24-199749	08FEB2024	GC	BB



ITEM 1

ITEM 2

ITEM 3

3	993702-000	SEPERATLY ON 120V UNIT HARDWIRED ON 222V UNITS	FOOTSWITCH	1
2	2472421-1	2472409-1	ADJUSTABLE POWER UNIT+FOOTSWITCH, 220Vac (NEMA 5-15 PLUG)	1
2	2472420-1	2472408-1	ADJUSTABLE POWER UNIT+FOOTSWITCH, 220Vac (BS 1363 PLUG)	1
2	574557-000	859855-000	ADJUSTABLE POWER UNIT+FOOTSWITCH, 220Vac (CEE 7/7 PLUG)	1
2	995119-000	173643-000	ADJUSTABLE POWER UNIT, 120Vac	1
	2472419-1	ALL TOOLS	ELECTRODE KIT (INCLUDED IN HAND PIECE)	1
1	2481205-1	ALL TOOLS	HAND PIECE	1
ITEM	PART No	USED ON	DESCRIPTION	QTY

PARTS LIST

THIS DRAWING IS A CONTROLLED DOCUMENT.		DWN G. ROSITANO 31 JUL 1991																		
DIMENSIONS: INCHES		CHK A.L.HADLEY 14 AUG 1991																		
TOLERANCES UNLESS OTHERWISE SPECIFIED:		APVD A.L.HADLEY 14 AUG 1991																		
<table border="1"> <tr><td>0 PLC</td><td>±</td><td>-</td></tr> <tr><td>1 PLC</td><td>±</td><td>-</td></tr> <tr><td>2 PLC</td><td>±</td><td>-</td></tr> <tr><td>3 PLC</td><td>±</td><td>-</td></tr> <tr><td>4 PLC</td><td>±</td><td>-</td></tr> <tr><td>ANGLES</td><td>±</td><td>-</td></tr> </table>		0 PLC				±	-	1 PLC	±	-	2 PLC	±	-	3 PLC	±	-	4 PLC	±	-	ANGLES
0 PLC	±	-																		
1 PLC	±	-																		
2 PLC	±	-																		
3 PLC	±	-																		
4 PLC	±	-																		
ANGLES	±	-																		
MATERIAL POLYPROPYLENE	FINISH -	WEIGHT 0	SIZE A2	CAGE CODE 06090	DRAWING NO C-RH-3960	RESTRICTED TO -														
CUSTOMER DRAWING			SCALE NTS	SHEET 1 OF 1	REV D															