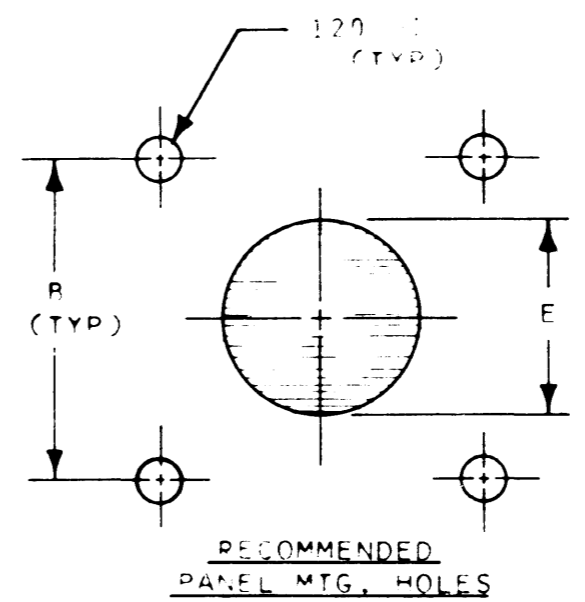
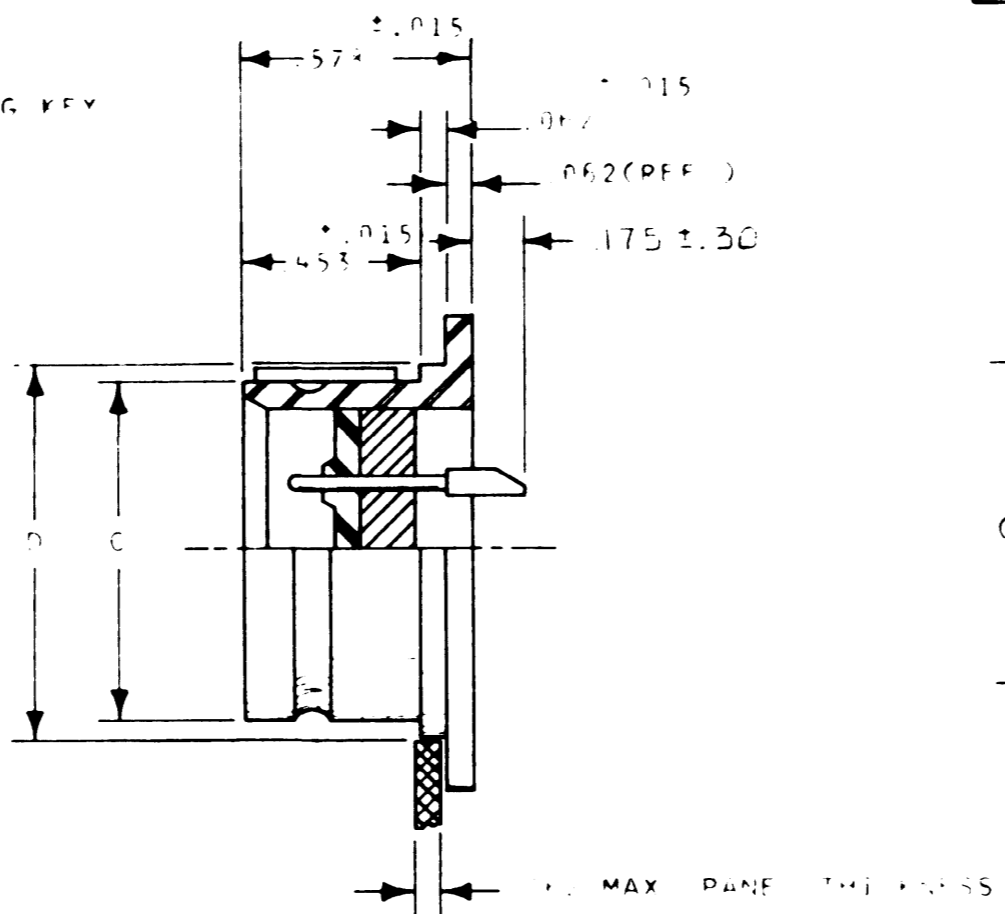
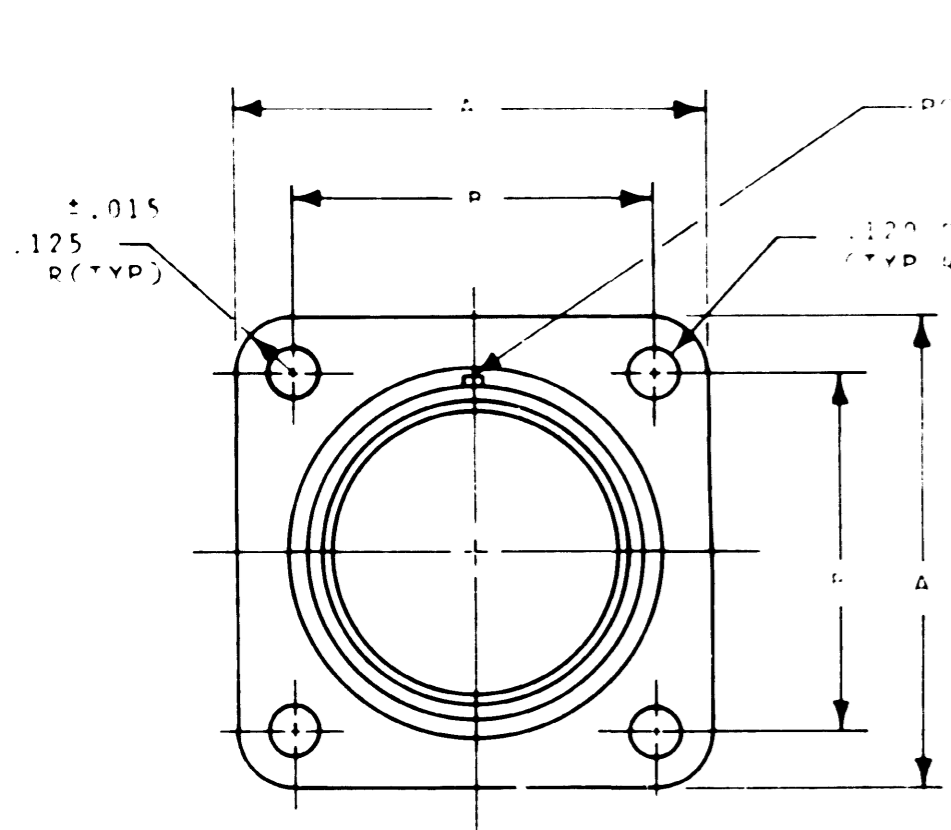


CP RSM5156-3-#P

REVISIONS			
SYM	DESCRIPTION	DATE	APPROVED
1	REVISED PER D. 78715	7-23-75	



SHELL SIZE	PART NUMBER	±.015 A	±.005 P	±.004 C DIA.	±.003 D DIA.	±.010 E DIA. ±.000	WEIGHT IN LBS.
3	RSM5156-3-#P	.875	.625	.435	.531	.541	
7	RSM5156-7-#P	1.000	.719	.570	.671	.681	
12	RSM5156-12-#P	1.093	.812	.705	.812	.822	
19	RSM5156-19-#P	1.197	.906	.844	.937	.947	
27	RSM5156-27-#P	1.300	.968	1.000	1.125	1.135	

5. FOR AVAILABILITY, CONSULT FACTORY.
4. MATERIALS: SHELL-MILD STEEL
CONTACTS, PIN-HIGH NICKEL-IRON ALLOY.
INSERTS-COMPRESSION GLASS
ELASTOMER
PLASTIC
"O" RING-SILICONE
3. FINISH: SHELL-TIN OVER CADMIUM
CONTACTS-TIN OVER CADMIUM
2. CONTACT IDENTIFICATION IS IN CONTRASTING COLOR TO INSERTS.
1. FOR AVAILABLE CONTACT ARRANGEMENTS AND ALTERNATE INSERT POSITIONS, SEE PAGE 32540 IN RSM SECTION OF CATALOG.

NOTE:

SIGNATURE & DATE	
DR	<i>[Signature]</i> 5-26-75
CHK	<i>[Signature]</i>
PE	<i>[Signature]</i>
APPD	
SCALE	NONE
WT	<i>[Signature]</i>

RECEPTACLE CONNECTOR,
HERMETIC SUR-MINIATURE,
QUICK CONNECT,
SQUARE PANEL MOUNTING

ENVELOPE

CP	MATL. CODE
The Deutsch Company ELECTRONIC COMPONENTS DIVISION Municipal Airport Banning, California	
B	RSM5156-3-#P
DWG SIZE	CODE 11139 SHEET 1 OF 1