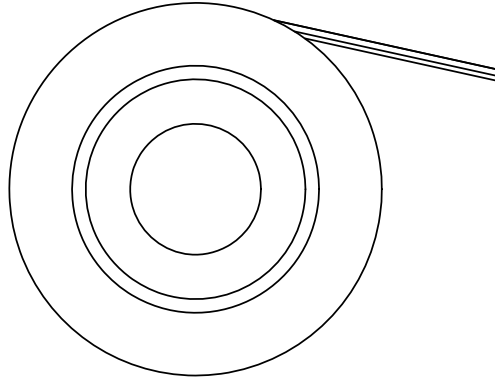



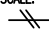
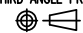
REVISION			
REV	DESCRIPTION	DATE	APPROVED
A	INITIAL RELEASE OF CD PER ECO-19-013153	9/18/2019	I. MYONG



NOTES:

1. HOT MELT ADHESIVE TAPE, HIGH STRENGTH.
2. TEMPERATURE RANGE: -80°C TO +130°C
3. TAPE IS SUPPLIED ON 10 METER ROLL
20MM WIDE X 10 METERS LONG
4. SPECIFICATIONS: --
5. SDS DOCUMENTS:
RAY 3144
6. SHELF LIFE:
REFER TO TE SPEC SHEET No. 126-116006.

Raychem Harness & Components **CUSTOMER DRAWING**

UNLESS OTHERWISE SPECIFIED DIMENSIONS ARE IN MILLIMETERS, AND INCH DIMENSIONS ARE IN SHOWN IN (PARENTHESES).		 TE Connectivity	
DECIMALS:	.000 ± 0.000 .00 ± 0.00 .0 ± 0.0		
TE CONNECTIVITY RESERVES THE RIGHT TO AMEND THIS DRAWING AT ANYTIME. USERS SHOULD EVALUATE THE SUITABILITY OF THE PRODUCT FOR THEIR APPLICATION.		TITLE: TE/Raychem HOT-MELT ADHESIVE TAPE	
		DRAWING NO: S1081	
DRAWN: 16JUL2019 G.Rositano	APPROVED: 19JUL2019 I.Myong	CAGE CODE 06090	CAD FILE: S1124_cd
SIZE: A	SCALE: 	THIRD ANGLE PROJ. 	SHEET: 1_OF_1