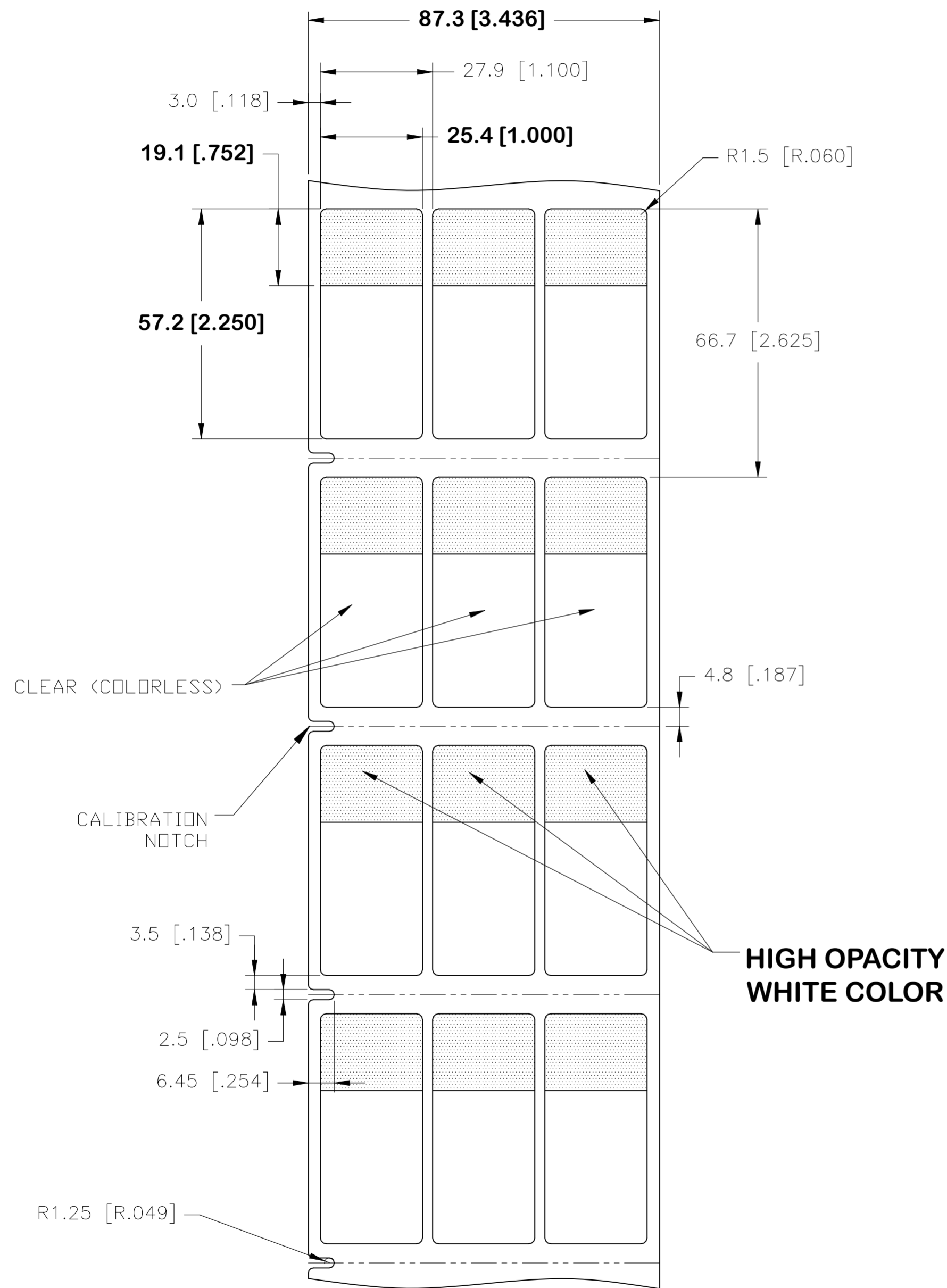
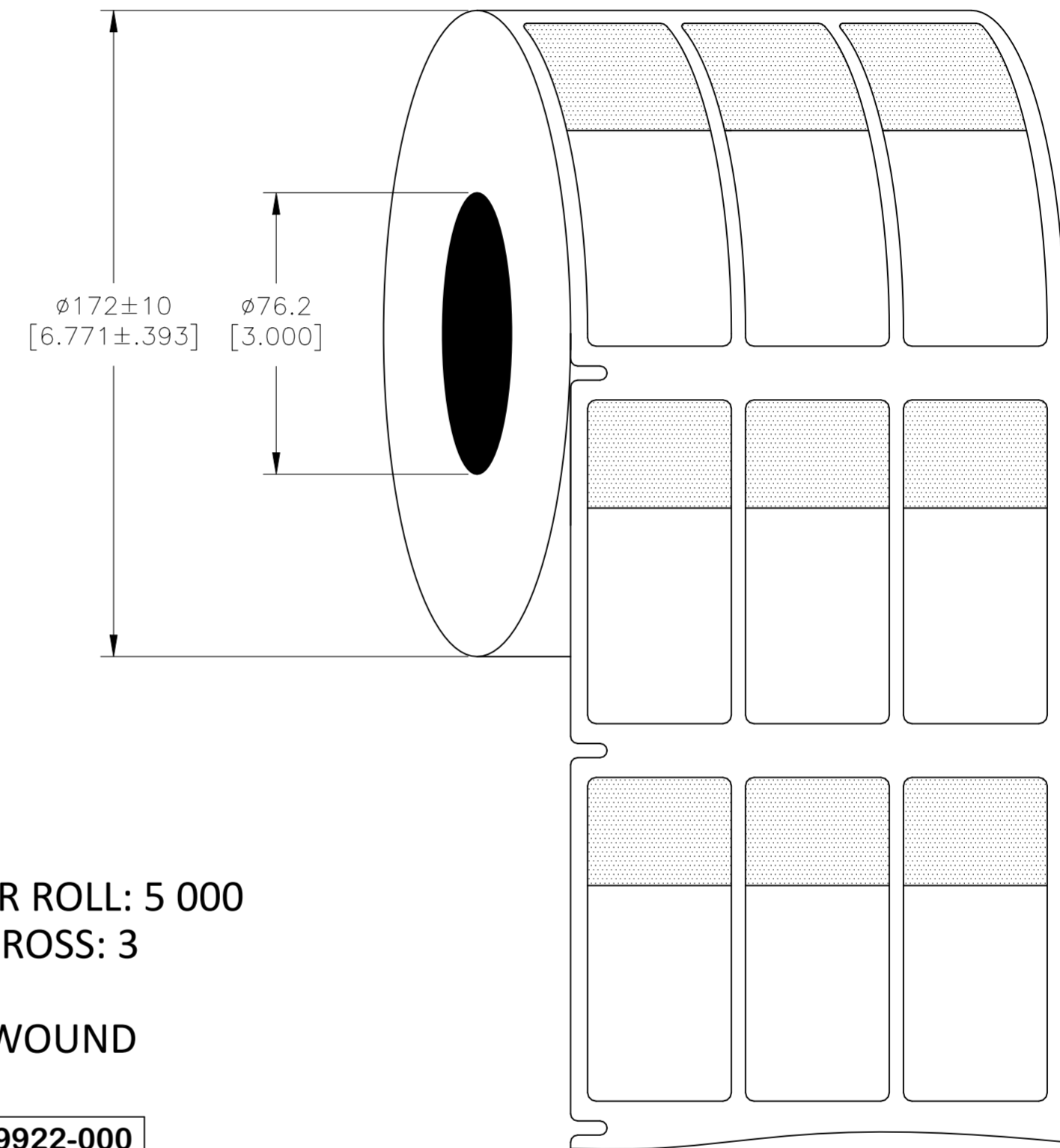


P	LTR	DESCRIPTION	DATE	DWN	APVD
F		LINER CHANGE	03JUN2024	SL	DB

LABEL AND LINER DESIGN



PRESENTATION



All dimensions in mm [INCHES]

UL- MARKING AND LABELLING SYSTEMS	
PGCT2 - Flag Labels, Flag Tags, Wrap-around Labels & Related Products - Component	
PGCT8 - Flag Labels, Flag Tags, Wrap-around Labels & Related Products Certified for Canada - Component	
File: MH65661	Model N°: SBP

TOLERANCES mm [INCH]	
LABEL HEIGHT:	± 0.3 [.012]
LABEL WIDTH:	± 0.3 [.012]
WEB WIDTH:	± 0.8 [.031]
VERTICAL REPEAT:	± 0.8 [.031]*
HORIZONTAL REPEAT:	± 0.8 [.031]*
PRINT POSITIONING:	± 0.8 [.031]*
LEFT MARGIN:	± 0.4 [.016]
QUANTITY:	-0 % +2 %
*NON ACCUMULATING	

THIS DRAWING IS A CONTROLLED DOCUMENT.	
DIMENSIONS:	ZPT
TOLERANCES UNLESS OTHERWISE SPECIFIED	
0 PLC	\pm
1 PLC	\pm
2 PLC	\pm
3 PLC	\pm
4 PLC	\pm
ANGLES	\pm
FINISH	-
MATERIAL	SEE TABLE

MATERIAL	CLEAR VINYL	
ADHESIVE TYPE	PERMANENT ACRYLIC	
LINER	WHITE KRAFT	
DWN	S.LAZRAK	03JUN2024
CHK	Y.BONINO	03JUN2024
APVD	D.BURGAT	03JUN2024
PRODUCT SPEC	TTDS-211	
APPLICATION SPEC		
NAME	SBP100225WE5	
SIZE	A2	
CAGE CODE	00779	
DRAWING NO	CN9922-000	
RESTRICTED TO	-	
WEIGHT	0.202g	
CUSTOMER DRAWING	SCALE	NTS
SHEET	1	OF 1
REV	F	