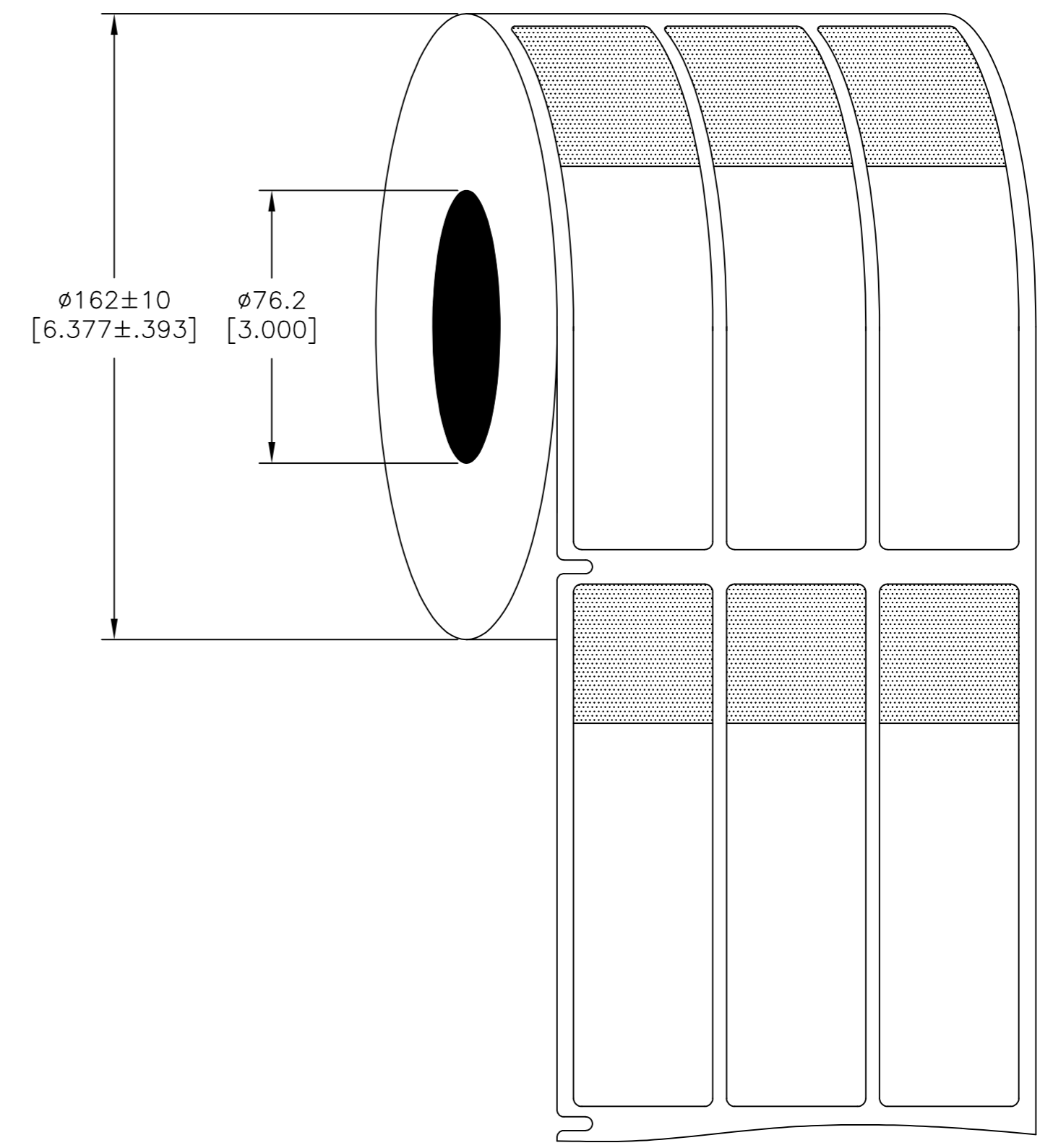
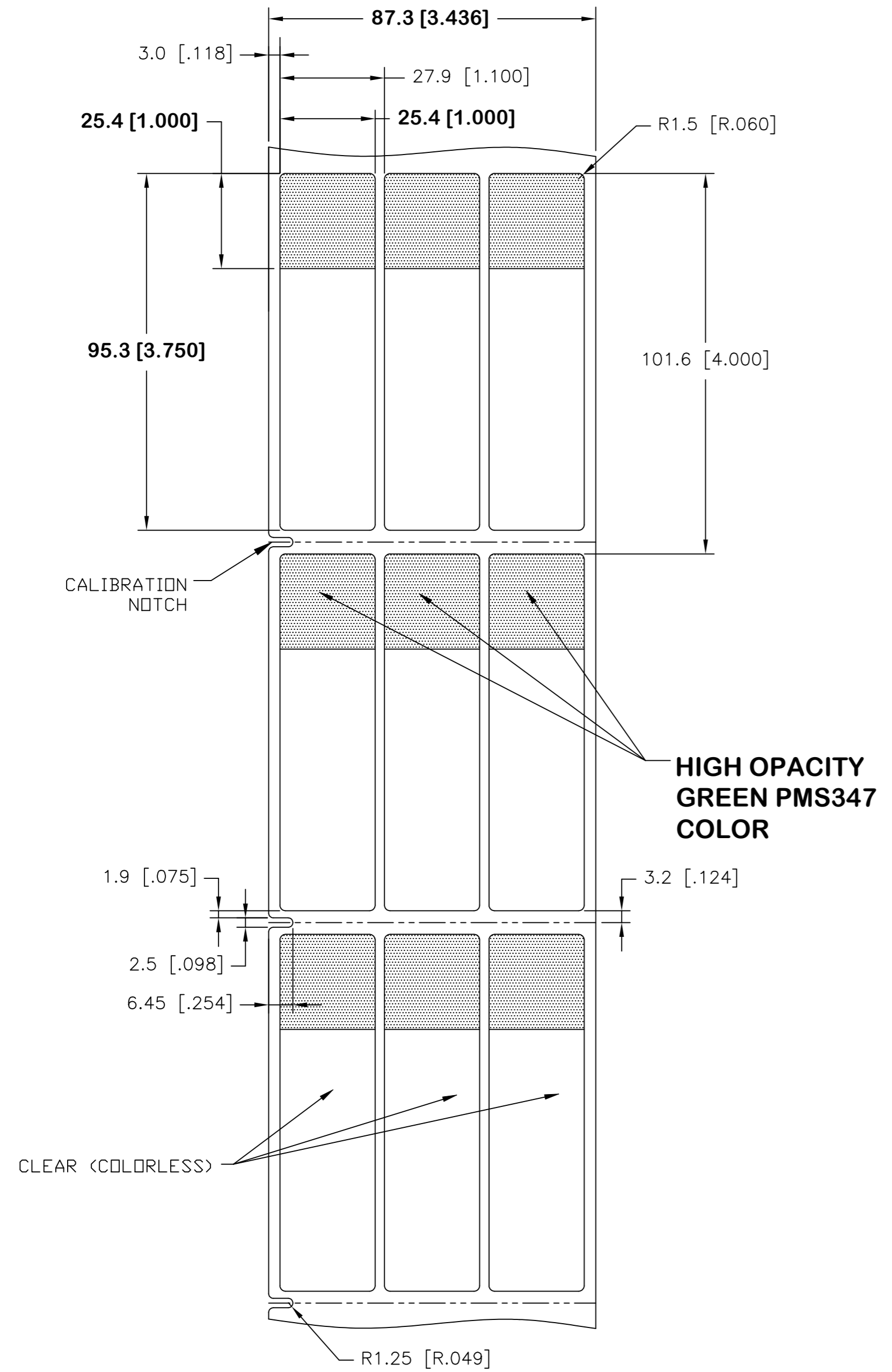


THIS DRAWING IS UNPUBLISHED. RELEASED FOR PUBLICATION MAR , 2017.  
 © COPYRIGHT 2017 By TE Connectivity ALL RIGHTS RESERVED.

| REVISIONS |     |             |           |     |      |
|-----------|-----|-------------|-----------|-----|------|
| P         | LTR | DESCRIPTION | DATE      | DWN | APVD |
| F         |     | NEW DRAWING | 25OCT2018 | GK  | DB   |

**LABEL AND LINER DESIGN**

**PRESENTATION**



**OUTSIDE WOUND  
 LABEL ACROSS: 3  
 PER ROLL QTY: 2500**

All dimensions in mm [Inch]

**TE PN: CN9923-000**

|               |                   |
|---------------|-------------------|
| MATERIAL      | CLEAR VINYL       |
| ADHESIVE TYPE | ACRYLIC PERMANENT |
| LINEAR        | WHITE KRAFT       |

| TOLERANCES mm [INCH] |               |
|----------------------|---------------|
| LABEL HEIGHT:        | ±0.3 [0.012]  |
| LABEL WIDTH:         | ±0.3 [0.012]  |
| WEB WIDTH:           | ±0.8 [0.031]  |
| VERTICAL REPEAT:     | ±0.8 [0.031]* |
| HORIZONTAL REPEAT:   | ±0.8 [0.031]* |
| PRINT POSITIONING:   | ±0.8 [0.031]* |
| LEFT MARGIN:         | ±0.4 [0.016]  |
| QUANTITY:            | -0 % +2 %     |
| *NON ACCUMULATING    |               |

|  |  |                                      |   |
|--|--|--------------------------------------|---|
| THIS DRAWING IS A CONTROLLED DOCUMENT. |  | DWN<br>GOPALAKRISHNA HV<br>26SEP2018 |   |
| DIMENSIONS:<br>mm [INCHES]             |  | CHK<br>D.BURGAT<br>26SEP2018         |   |
|  |  | APVD<br>D.BURGAT<br>26SEP2018        | NAME<br>SBP LABEL - GREEN PMS347<br>25.4 x 95.3mm [1.00 x 3.75inch] |
| MATERIAL<br>SEE TABLE                  |  | FINISH<br>GLOSSY                     | PRODUCT SPEC<br>TTDS-211  |
| APPLICATION SPEC                       |  | WEIGHT<br>0.336g                     | RESTRICTED TO   |
| CUSTOMER DRAWING                       |  | SCALE<br>NTS                         | SHEET<br>1 of 1   |
| FILE: MH61871                          |  | PRODUCT DESIGN: SBP                  | REV<br>F  |
| RIBBON: TMS-XXX-RIBBON-4RPSCE          |  |                                      |   |

| UL-MARKING AND LABELLING SYSTEMS                                       |                     |                               |
|--|---------------------|-------------------------------|
| PGIS2 - Marking and Labeling Systems, Limited Use - Component (UL 969) |                     |                               |
| File: MH61871  | Product design: SBP | Ribbon: TMS-XXX-RIBBON-4RPSCE |