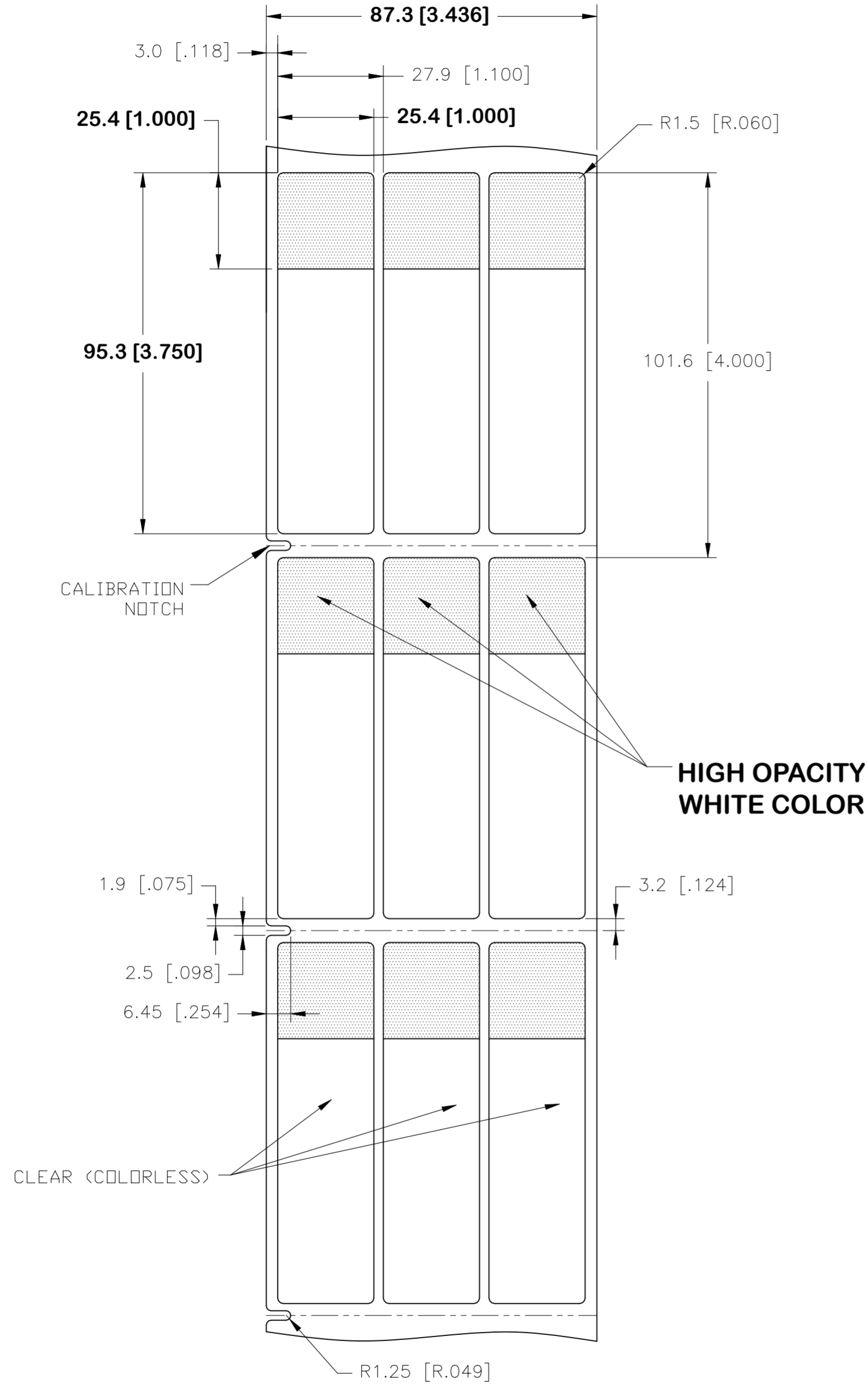
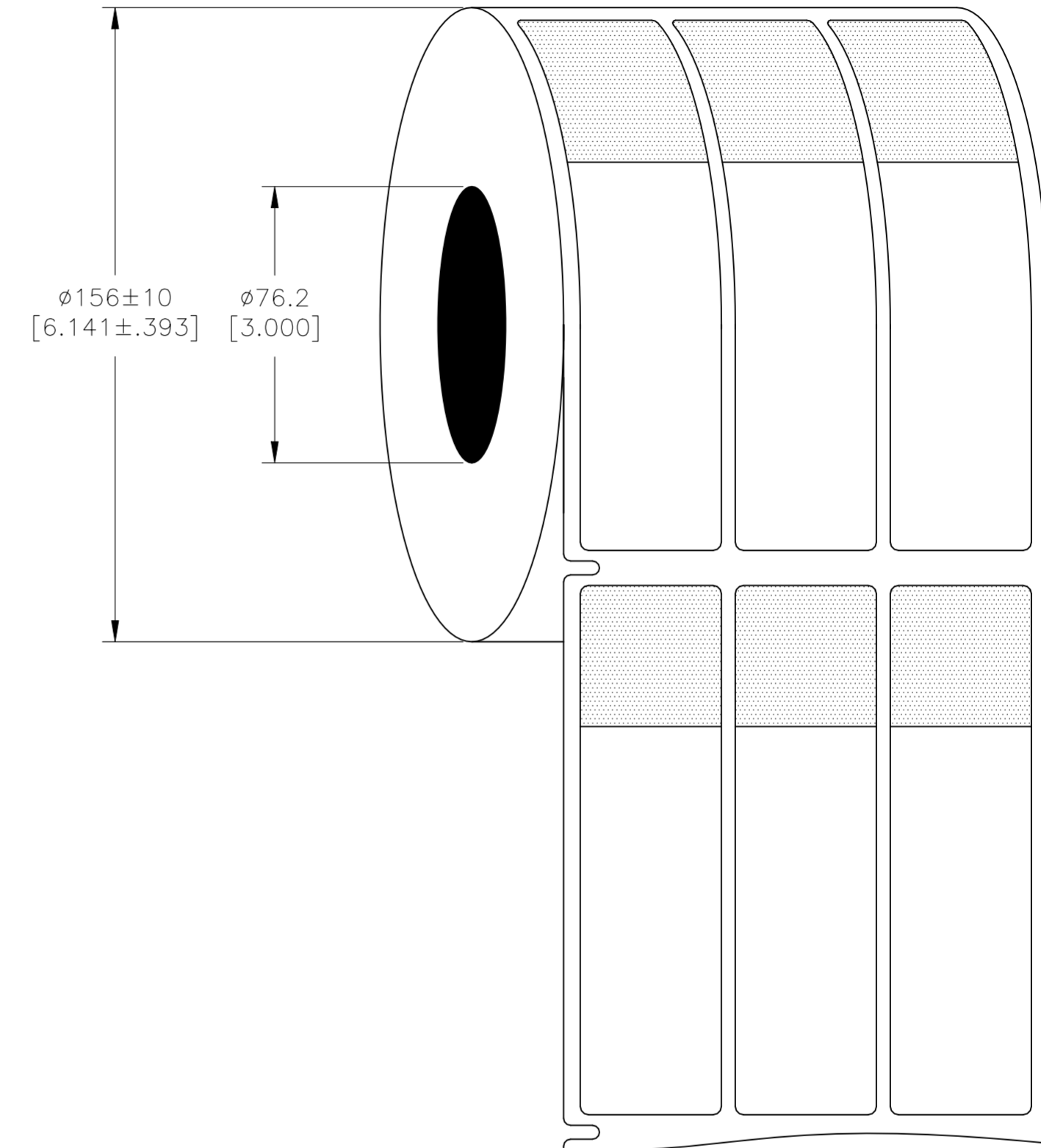


REVISIONS					
P	LTR	DESCRIPTION	DATE	DWN	APVD
F1		UL LABEL CHANGE	04JUL2024	GSK	DB

### LABEL AND LINER DESIGN



### PRESENTATION



**OUTSIDE WOUND  
LABEL ACROSS: 3  
PER ROLL QTY: 2500**

All dimensions in mm [Inch]

**TE PN: CN9926-000**

UL-MARKING AND LABELLING SYSTEMS	
PGCT2 - Flag Labels, Flag Tags, Wrap-around Labels & Related Products - Component	
PGCT8 - Flag Labels, Flag Tags, Wrap-around Labels & Related Products Certified for Canada - Component	
File: MH65661	Model N°: <b>SBP</b>

TOLERANCES mm [INCH]	
LABEL HEIGHT:	$\pm 0.3$ [.012]
LABEL WIDTH:	$\pm 0.3$ [.012]
WEB WIDTH:	$\pm 0.8$ [.031]
VERTICAL REPEAT:	$\pm 0.8$ [.031]*
HORIZONTAL REPEAT:	$\pm 0.8$ [.031]*
PRINT POSITIONING:	$\pm 0.8$ [.031]*
LEFT MARGIN:	$\pm 0.4$ [.016]
QUANTITY:	-0 % +2 %
*NON ACCUMULATING	

THIS DRAWING IS A CONTROLLED DOCUMENT.	
DIMENSIONS: mm [INCHES]	TOLERANCES UNLESS OTHERWISE SPECIFIED:
	0 PLC ±
	1 PLC ±
	2 PLC ±
	3 PLC ±
	4 PLC ±
	ANGLES ±
MATERIAL SEE TABLE	FINISH GLOSSY

MATERIAL ADHESIVE TYPE LINEAR		CLEAR VINYL ACRYLIC PERMANENT WHITE KRAFT	
DWN GOPALAKRISHNA HV 20MAR2017		TE Connectivity	
CHK D.BURGAT 20MAR2017		TE Connectivity	
APVD D.BURGAT 20MAR2017		NAME SBP LABEL - WHITE 25.4 x 95.3mm [1.00 x 3.75inch]	
PRODUCT SPEC TIDS-211		APPLICATION SPEC	
SIZE A2	CAGE CODE 00779	DRAWING NO C=SBP100375WE2.5	RESTRICTED TO
WEIGHT 0.336g	SCALE NTS	SHEET 1 OF 1	REV F1
CUSTOMER DRAWING			