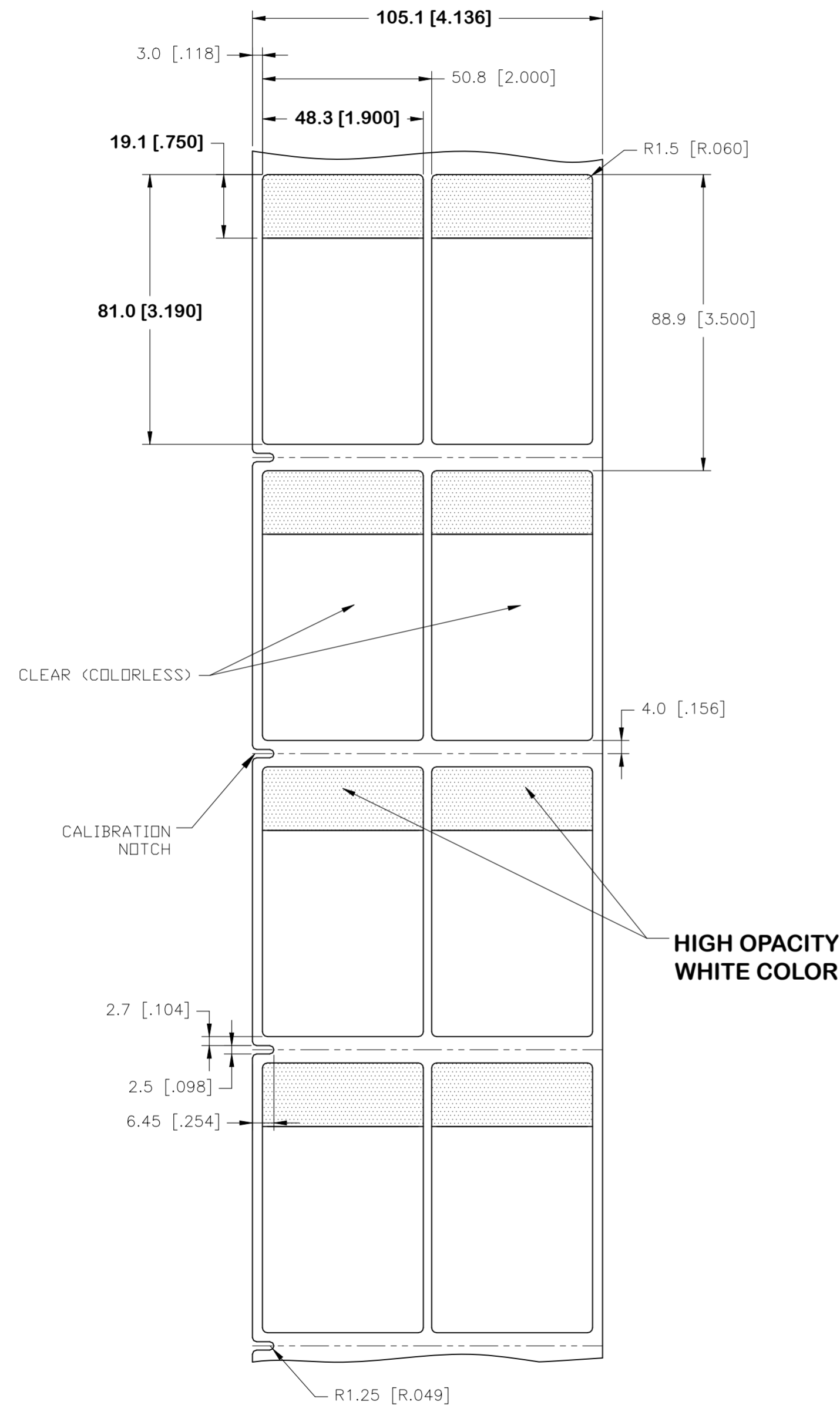
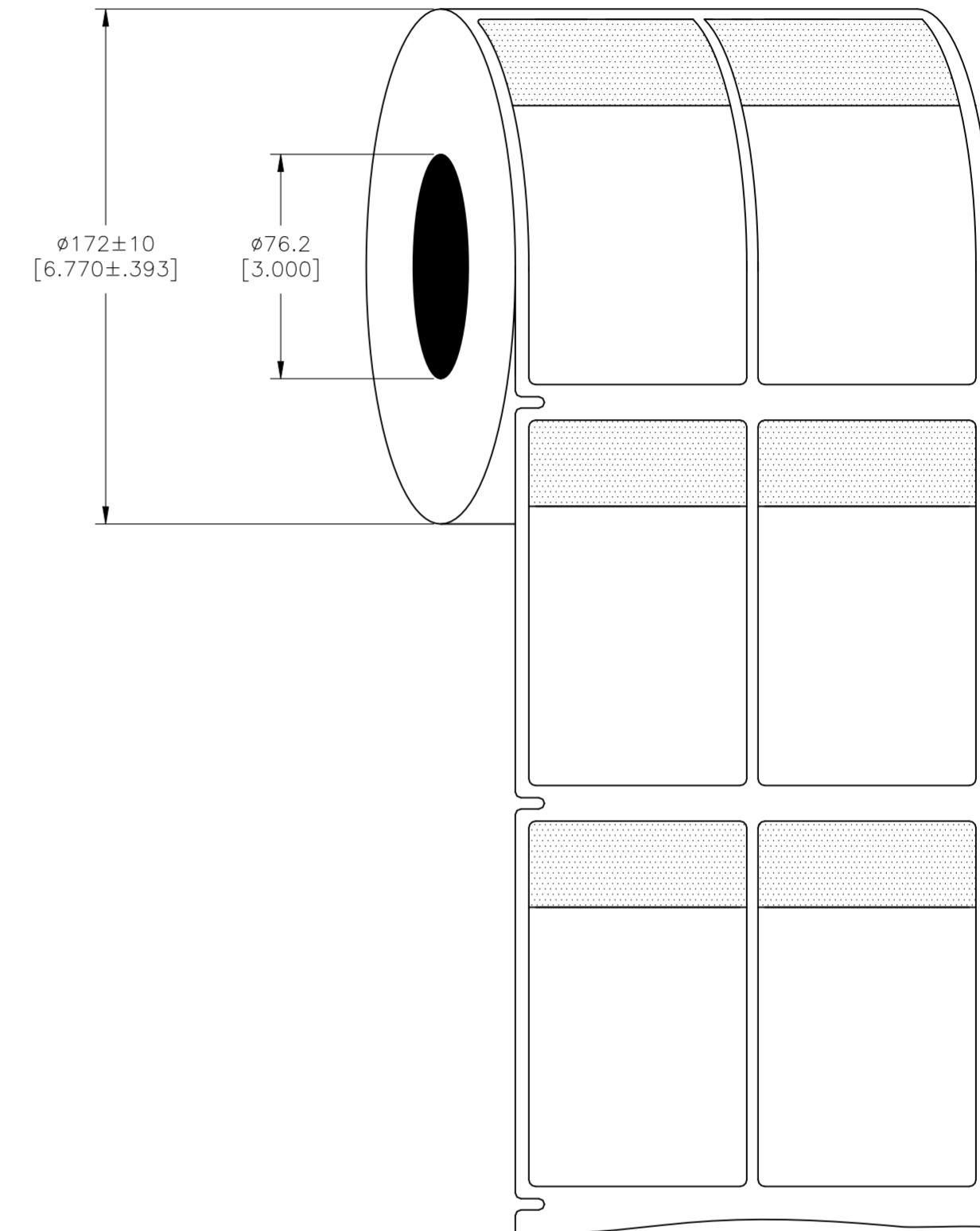


REVISIONS					
P	LTR	DESCRIPTION	DATE	DWN	APVD
F1		UL LABEL CHANGE	03JUL2024	GK	DB

**LABEL AND LINER DESIGN**



**PRESENTATION**



All dimensions in mm [Inch]

**OUTSIDE WOUND  
LABEL ACROSS: 2  
PER ROLL QTY: 2500**

**TE PN: CN9930-000**

<b>UL-MARKING AND LABELLING SYSTEMS</b>	
PGCT2 - Flag Labels, Flag Tags, Wrap-around Labels & Related Products - Component	
PGCT8 - Flag Labels, Flag Tags, Wrap-around Labels & Related Products Certified for Canada - Component	
File: MH65661	Model N°: <b>SBP</b>

TOLERANCES mm [INCH]	
LABEL HEIGHT:	±0.3 [.012]
LABEL WIDTH:	±0.3 [.012]
WEB WIDTH:	±0.8 [.031]
VERTICAL REPEAT:	±0.8 [.031]*
HORIZONTAL REPEAT:	±0.8 [.031]*
PRINT POSITIONING:	±0.8 [.031]*
LEFT MARGIN:	±0.4 [.016]
QUANTITY:	-0 % +2 %
*NON ACCUMULATING	

THIS DRAWING IS A CONTROLLED DOCUMENT.	
DIMENSIONS:	TOLERANCES UNLESS OTHERWISE SPECIFIED:
mm [INCHES]	
	0 PLC ±
	1 PLC ± -
	2 PLC ± -
	3 PLC ± -
	4 PLC ± -
	ANGLES ± -
MATERIAL:	FINISH:
SEE TABLE	GLOSSY

MATERIAL		CLEAR VINYL	
ADHESIVE TYPE		ACRYLIC PERMANENT	
LINEAR		WHITE KRAFT	
DWN	20MAR2017	TE Connectivity	
CHK	GOPALAKRISHNA HV	TE Connectivity	
APVD	D.BURGAT	TE Connectivity	
PRODUCT SPEC	TIDS-211	SBP LABEL - WHITE	
APPLICATION SPEC		48.3 x 81.0mm [1.90 x 3.19inch]	
WEIGHT	0.544g	SIZE	A2
CUSTOMER DRAWING		CAGE CODE	00779
		DRAWING NO	C=SBP190319WE2.5
		RESTRICTED TO	
		SCALE	NTS
		SHEET	1 OF 1
		REV	F1