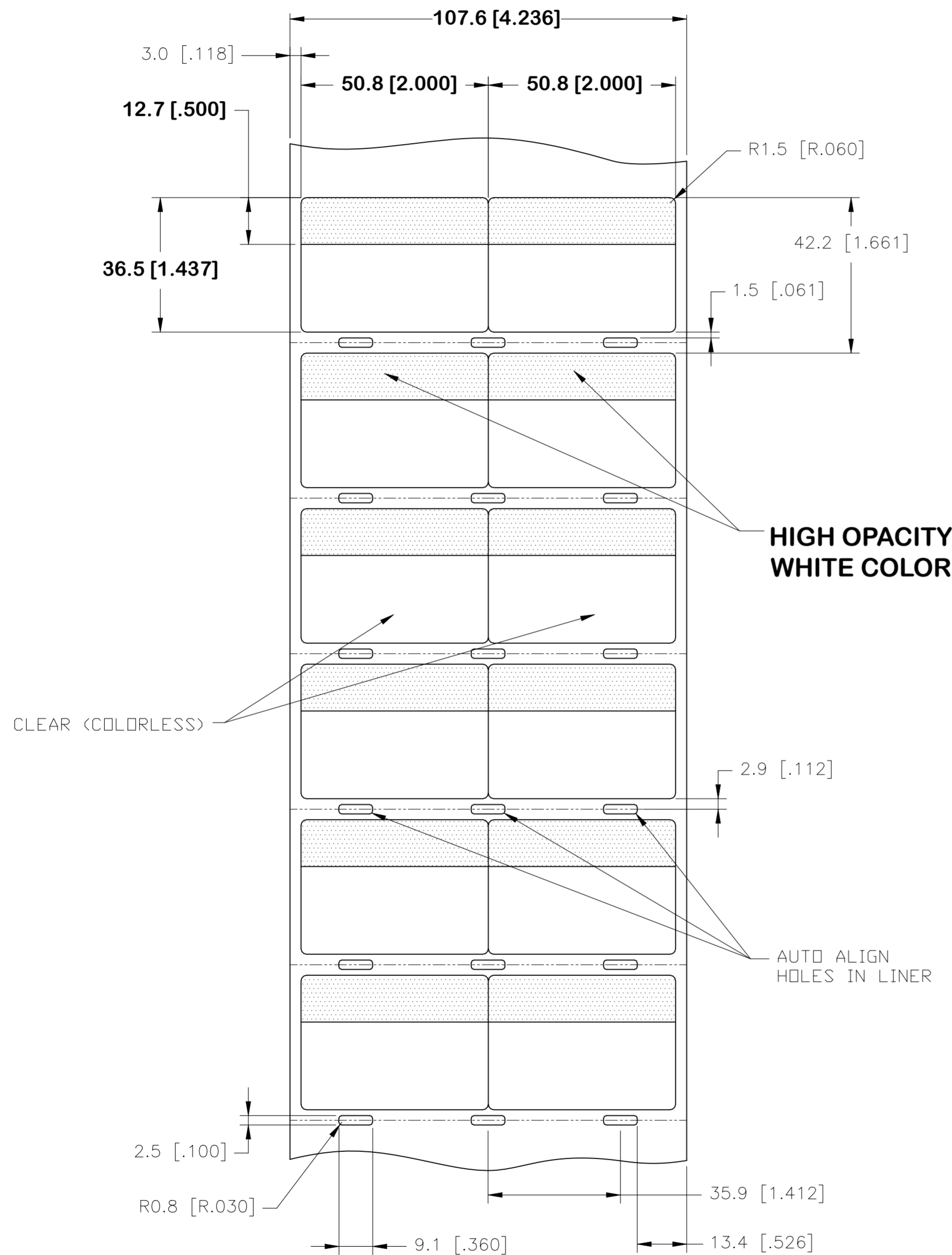
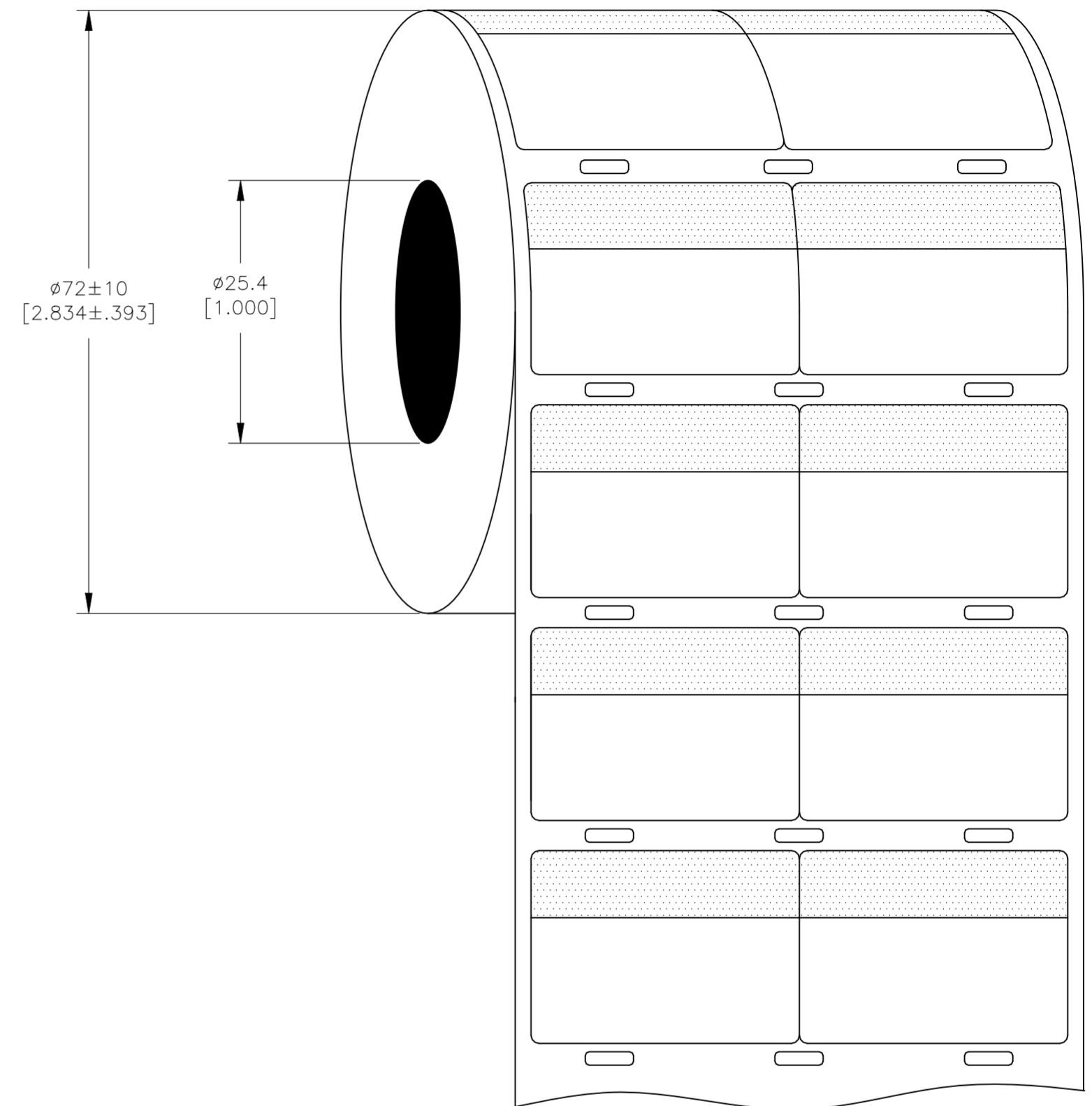


REVISIONS					
P	LTR	DESCRIPTION	DATE	DWN	APVD
F1		UL LABEL CHANGE	04JUL2024	GSK	DB

**LABEL AND LINER DESIGN**



**PRESENTATION**



**OUTSIDE WOUND LABEL ACROSS: 2 PER ROLL QTY: 1000**

All dimensions in mm [Inch]

**TE PN: CP7104-000**

UL-MARKING AND LABELLING SYSTEMS	
PGCT2 - Flag Labels, Flag Tags, Wrap-around Labels & Related Products - Component	
PGCT8 - Flag Labels, Flag Tags, Wrap-around Labels & Related Products Certified for Canada - Component	
File: MH65661	Model N°: <b>SBP</b>

TOLERANCES mm [INCH]	
LABEL HEIGHT:	±0.3 [.012]
LABEL WIDTH:	±0.3 [.012]
WEB WIDTH:	±0.8 [.031]
VERTICAL REPEAT:	±0.8 [.031]*
HORIZONTAL REPEAT:	±0.8 [.031]*
PRINT POSITIONING:	±0.8 [.031]*
LEFT MARGIN:	±0.4 [.016]
QUANTITY:	-0 % +2 %
*NON ACCUMULATING	

DIMENSIONS: mm [INCHES]	
0 PLC	±
1 PLC	±
2 PLC	±
3 PLC	±
4 PLC	±
ANGLES	±

MATERIAL		CLEAR VINYL	
ADHESIVE TYPE	LINEAR	ACRYLIC PERMANENT WHITE KRAFT	
DWN	GOPALAKRISHNA HV	TE Connectivity	
CHK	D.BURGAT	SBP LABEL-WHITE-T200 PRINTER	
APVD	D.BURGAT	50.8 x 36.5mm [2.00 x 1.43inch]	
PRODUCT SPEC	TJDS-211	-	
APPLICATION SPEC	-	SIZE	A2
WEIGHT	0.258g	CAGE CODE	00779
CUSTOMER DRAWING		DRAWING NO	C=SBP200143WE1-T200
		RESTRICTED TO	-
		SCALE	NTS
		SHEET	1 of 1
		REV	F1