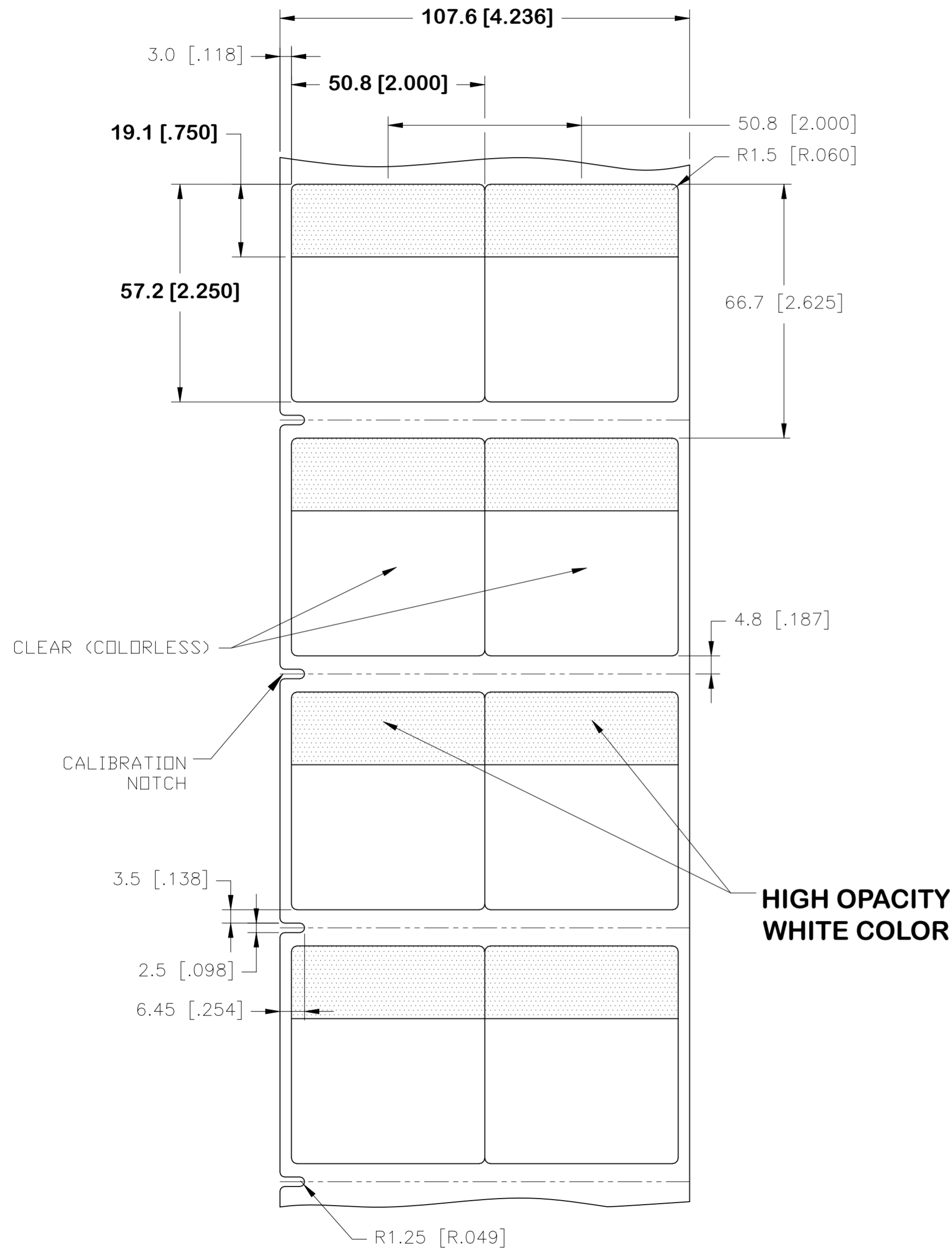
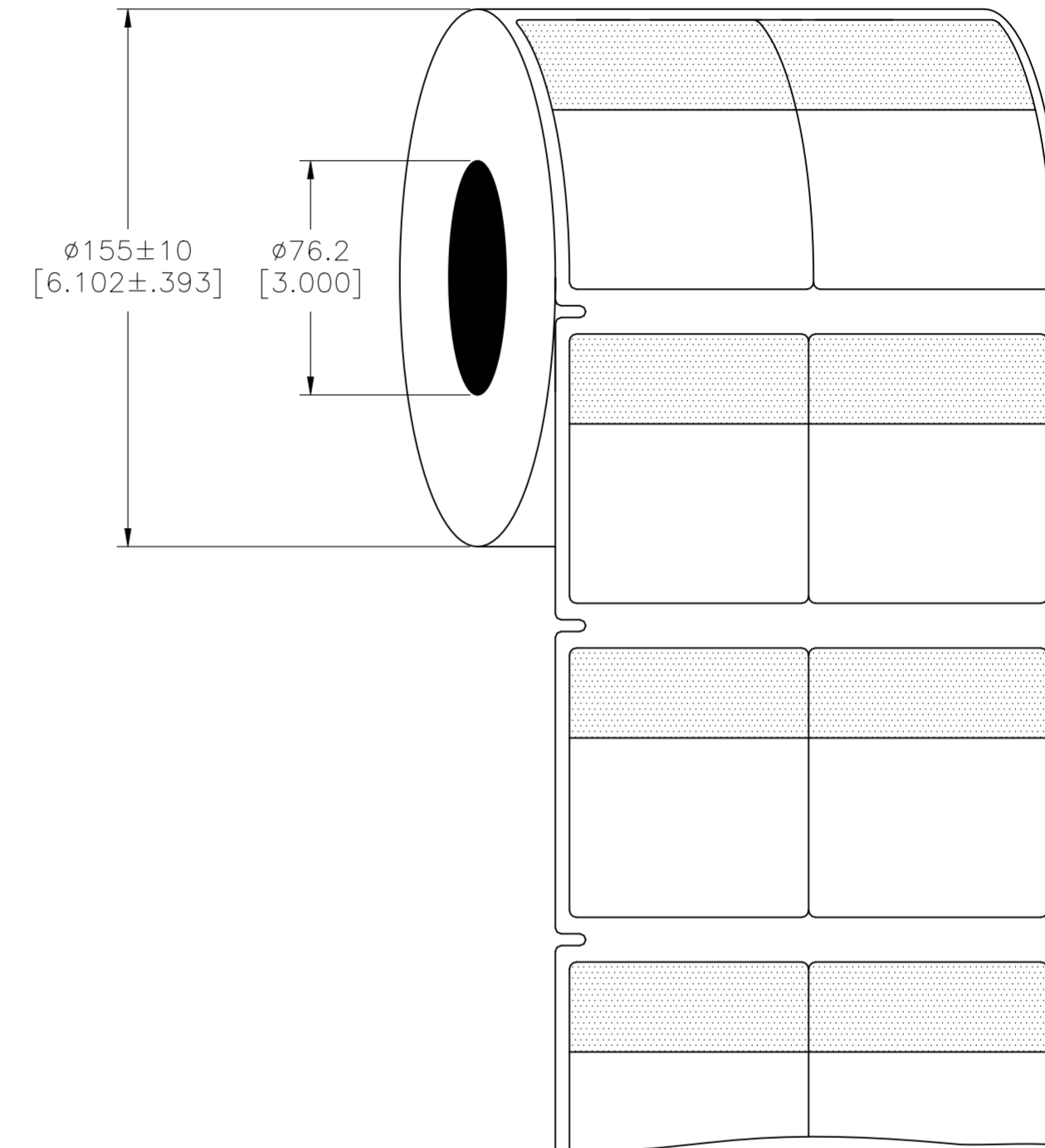


REVISIONS					
P	LTR	DESCRIPTION	DATE	DWN	APVD
F1		UL LABEL CHANGE	04JUL2024	GSK	DB

### LABEL AND LINER DESIGN



### PRESENTATION



**OUTSIDE WOUND  
LABEL ACROSS: 2  
PER ROLL QTY: 2500**

All dimensions in mm [Inch]

**TE PN: CN9933-000**

UL-MARKING AND LABELLING SYSTEMS	
PGCT2 - Flag Labels, Flag Tags, Wrap-around Labels & Related Products - Component	
PGCT8 - Flag Labels, Flag Tags, Wrap-around Labels & Related Products Certified for Canada - Component	
File: MH65661	Model N°: <b>SBP</b>

TOLERANCES mm [INCH]		THIS DRAWING IS A CONTROLLED DOCUMENT.		DWN 20MAR2017 GOPALAKRISHNA HV		MATERIAL CLEAR VINYL	
LABEL HEIGHT:	±0.3 [.012]	DIMENSIONS: mm [INCHES]		CHK 20MAR2017 D.BURGAT		ADHESIVE TYPE ACRYLIC PERMANENT	
LABEL WIDTH:	±0.3 [.012]	TOLERANCES UNLESS OTHERWISE SPECIFIED:		APVD 20MAR2017 D.BURGAT		LINEAR WHITE KRAFT	
WEB WIDTH:	±0.8 [.031]	0 PLC ±		NAME SBP LABEL - WHITE		TE Connectivity	
VERTICAL REPEAT:	±0.8 [.031]*	1 PLC ±		PRODUCT SPEC TIDS-211		50.8 x 57.2mm [2.00 x 2.25inch]	
HORIZONTAL REPEAT:	±0.8 [.031]*	2 PLC ±		APPLICATION SPEC		-	
PRINT POSITIONING:	±0.8 [.031]*	3 PLC ±		SIZE A2		CAGE CODE 00779	
LEFT MARGIN:	±0.4 [.016]	4 PLC ±		DRAWING NO C=SBP200225WE2.5		RESTRICTED TO -	
QUANTITY:	-0 % +2 %	FINISH GLOSSY		WEIGHT 0.404g		SCALE NTS	
*NON ACCUMULATING		MATERIAL SEE TABLE		CUSTOMER DRAWING		SHEET 1 OF 1	