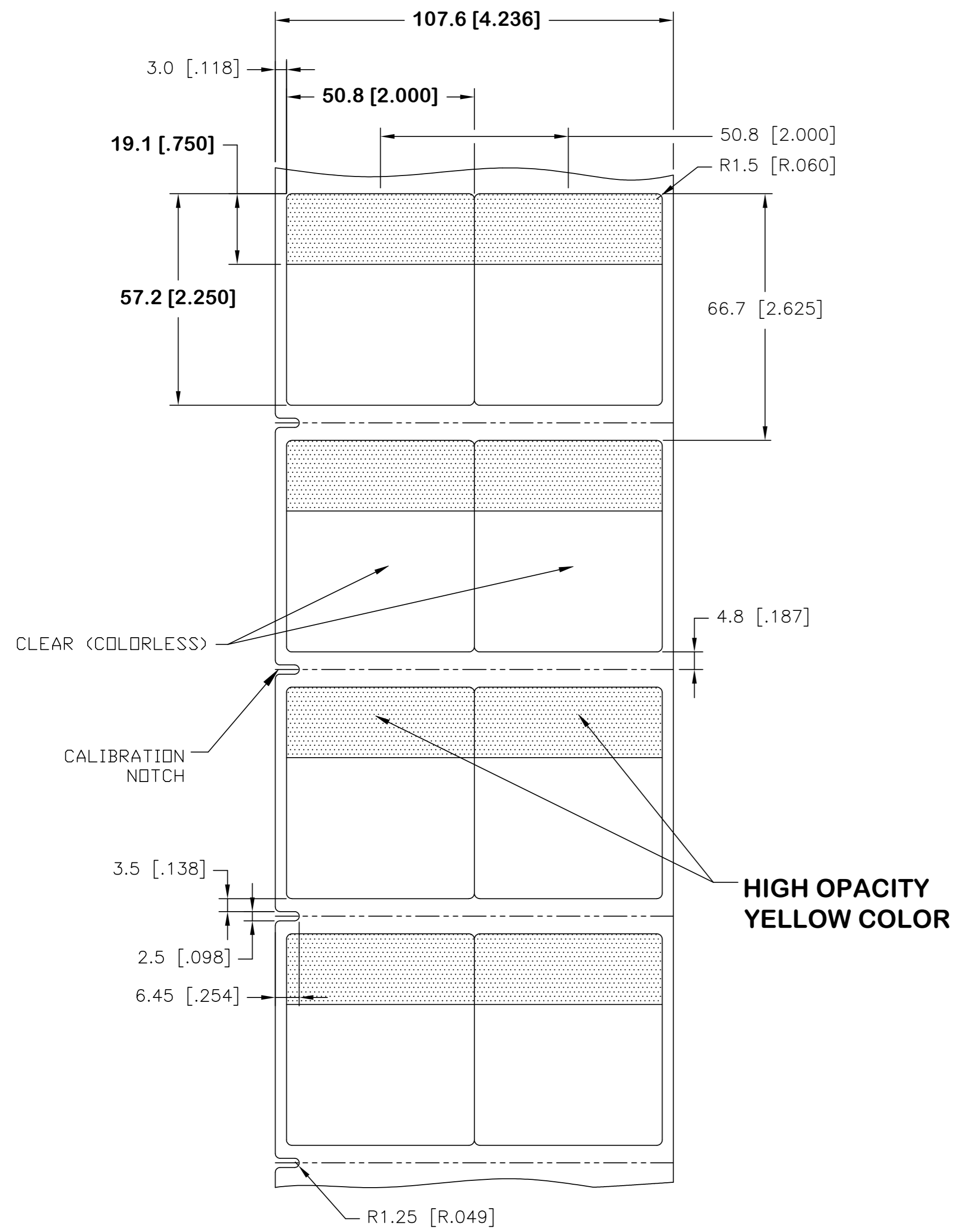


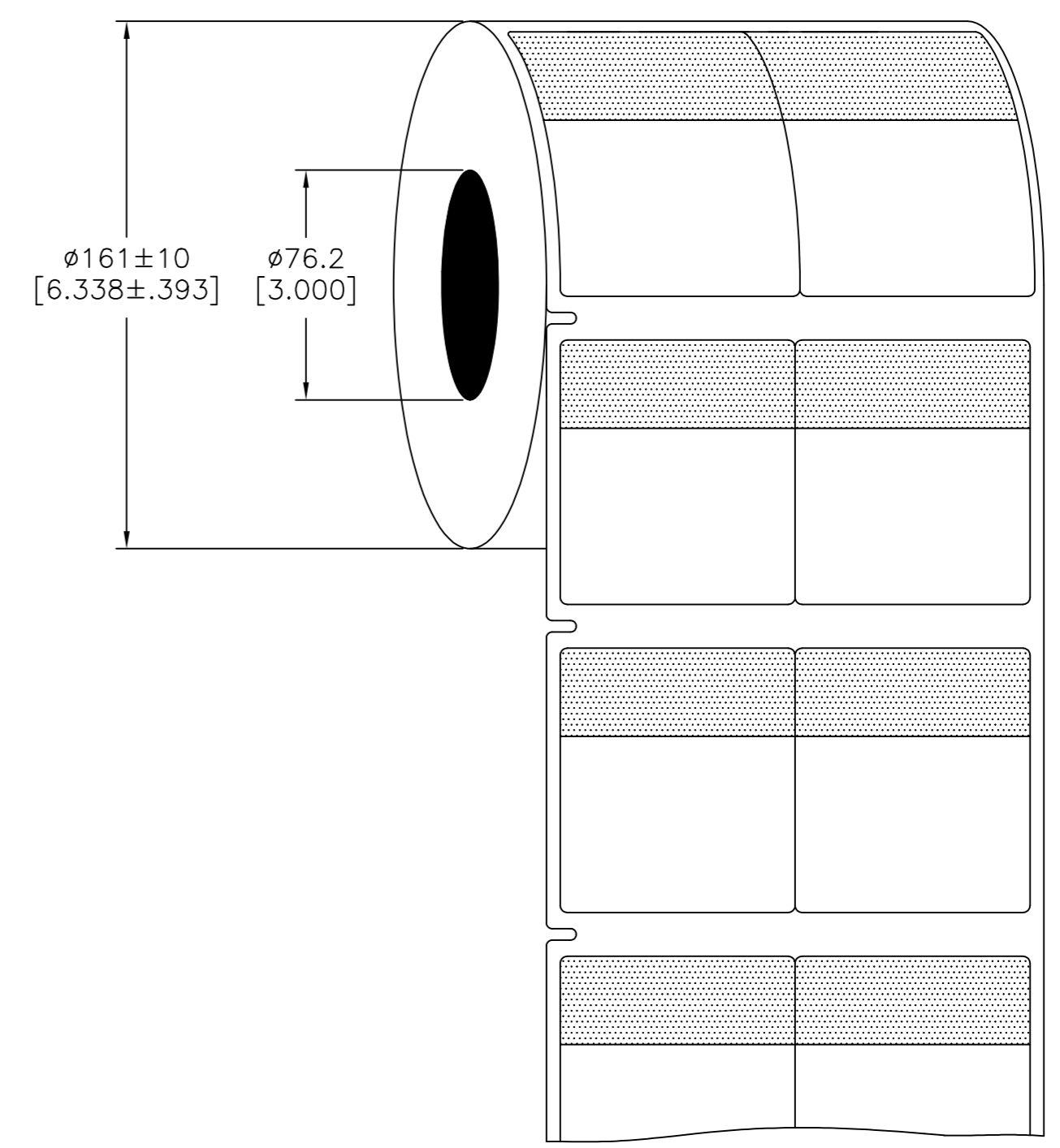
THIS DRAWING IS UNPUBLISHED. RELEASED FOR PUBLICATION MAR , 2017.  
 © COPYRIGHT 2017 By TE Connectivity ALL RIGHTS RESERVED.

REVISIONS					
P	LTR	DESCRIPTION	DATE	DWN	APVD
A		NEW DRAWING	23MAR2017	GK	DB
F		LINER CHANGE	26OCT2018	GK	DB

### LABEL AND LINER DESIGN



### PRESENTATION



All dimensions in mm [Inch]

**TE PN: CN9934-000**

MATERIAL	CLEAR VINYL
ADHESIVE TYPE	ACRYLIC PERMANENT
LINEAR	WHITE KRAFT

TOLERANCES mm [INCH]		THIS DRAWING IS A CONTROLLED DOCUMENT.		DWN 23MAR2017		GOPALAKRISHNA HV		CHK 23MAR2017		D.BURGAT		APVD 23MAR2017		NAME	
LABEL HEIGHT:	$\pm 0.3$ [.012]	DIMENSIONS: mm [INCHES]	TOLERANCES UNLESS OTHERWISE SPECIFIED:	0 PLC	±	TE Connectivity SBP LABEL - YELLOW 50.8 x 57.2mm [2.00 x 2.25inch]									
LABEL WIDTH:	$\pm 0.3$ [.012]			1 PLC	±										
WEB WIDTH:	$\pm 0.8$ [.031]			2 PLC	±										
VERTICAL REPEAT:	$\pm 0.8$ [.031]*			3 PLC	±										
HORIZONTAL REPEAT:	$\pm 0.8$ [.031]*			4 PLC	±										
PRINT POSITIONING:	$\pm 0.8$ [.031]*			ANGLES	± ±										
LEFT MARGIN:	$\pm 0.4$ [.016]	FINISH		GLOSSY		MATERIAL		SEE TABLE		WEIGHT		0.404g		SIZE	
QUANTITY:	-0 % +2 %	MATERIAL		SEE TABLE		FINISH		GLOSSY		WEIGHT		0.404g		SIZE	
*NON ACCUMULATING		MATERIAL		SEE TABLE		FINISH		GLOSSY		WEIGHT		0.404g		SIZE	
FILE: MH61871		PRODUCT DESIGN: SBP		RIBBON: TMS-XXX-RIBBON-4RPSCE		CUSTOMER DRAWING		SCALE		NTS		SHEET		1 OF 1	
FILE: MH61871		PRODUCT DESIGN: SBP		RIBBON: TMS-XXX-RIBBON-4RPSCE		CUSTOMER DRAWING		SCALE		NTS		SHEET		1 OF 1	

UL-MARKING AND LABELLING SYSTEMS		
PGIS2 - Marking and Labeling Systems, Limited Use - Component (UL 969)		
File: MH61871	Product design: SBP	Ribbon: TMS-XXX-RIBBON-4RPSCE