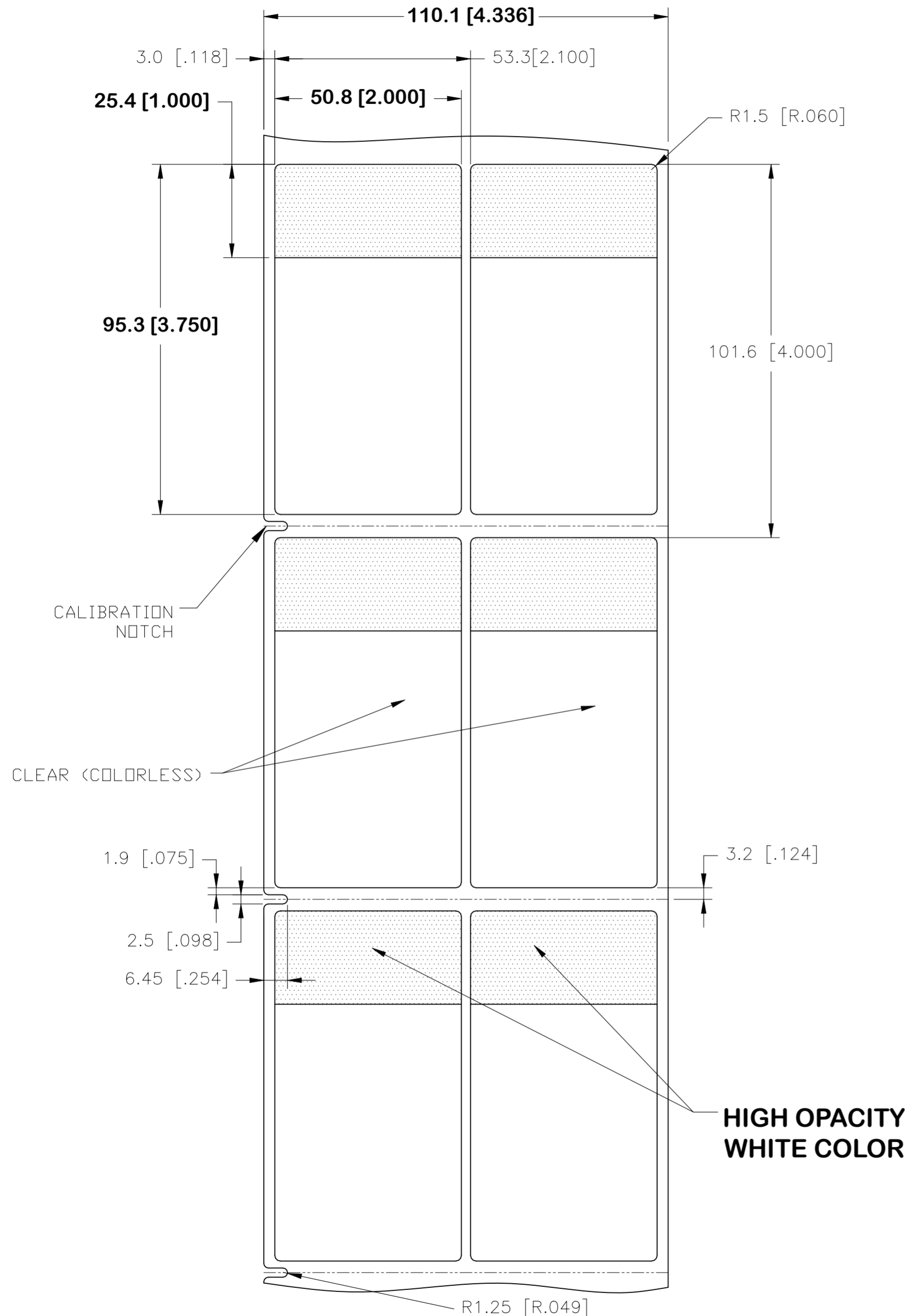
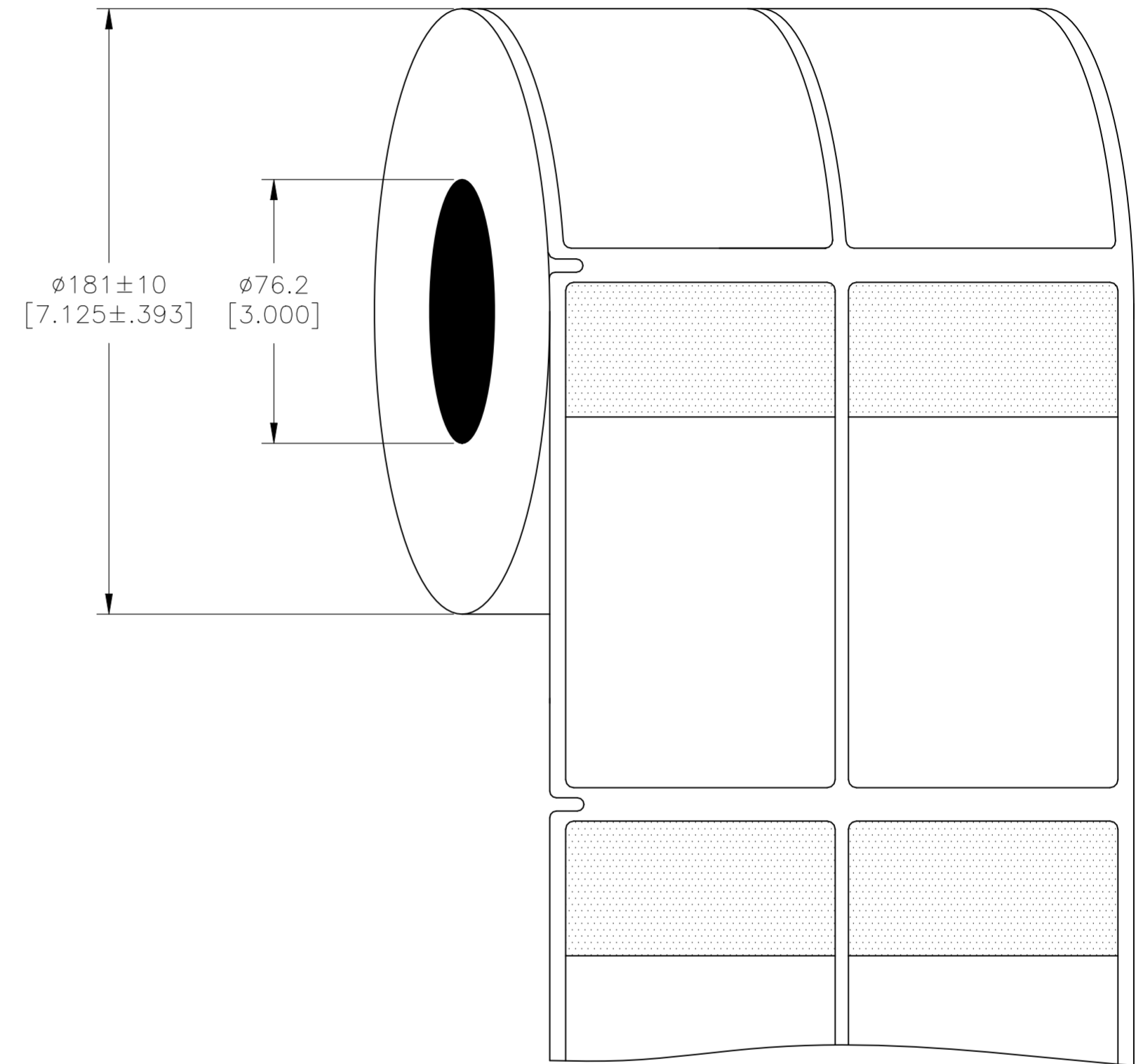


P	LTR	DESCRIPTION	DATE	DWN	APVD
F1		UL LABEL CHANGE	04JUL2024	GSK	DB

LABEL AND LINER DESIGN



PRESENTATION



OUTSIDE WOUND LABEL ACROSS: 2 PER ROLL QTY: 2500

All dimensions in mm [Inch]

TE PN: CN9936-000

UL-MARKING AND LABELLING SYSTEMS

PGCT2 - Flag Labels, Flag Tags, Wrap-around Labels & Related Products - Component	
PGCT8 - Flag Labels, Flag Tags, Wrap-around Labels & Related Products Certified for Canada - Component	
File: MH65661	Model N°: SBP

TOLERANCES mm [INCH]	
LABEL HEIGHT:	±0.3 [.012]
LABEL WIDTH:	±0.3 [.012]
WEB WIDTH:	±0.8 [.031]
VERTICAL REPEAT:	±0.8 [.031]*
HORIZONTAL REPEAT:	±0.8 [.031]*
PRINT POSITIONING:	±0.8 [.031]*
LEFT MARGIN:	±0.4 [.016]
QUANTITY:	-0 % +2 %
*NON ACCUMULATING	

THIS DRAWING IS A CONTROLLED DOCUMENT.	
DIMENSIONS: mm [INCHES]	TOLERANCES UNLESS OTHERWISE SPECIFIED:
	0 PLC ± -
	1 PLC ± -
	2 PLC ± -
	3 PLC ± -
4 PLC ± -	
ANGLES ± -	
MATERIAL: SEE TABLE	FINISH: GLOSSY

MATERIAL	CLEAR VINYL
ADHESIVE TYPE	ACRYLIC PERMANENT
LINEAR	WHITE KRAFT
DWN: GOPALAKRISHNA HV	TE Connectivity
CHK: D.BURGAT	TE Connectivity
APVD: D.BURGAT	TE Connectivity
PRODUCT SPEC: TIDS-211	SBP LABEL - WHITE
APPLICATION SPEC: -	50.8 x 95.3mm [2.00 x 3.75inch]
WEIGHT: 0.673g	SIZE: A2
CUSTOMER DRAWING	CAGE CODE: 00779
SCALE: NTS	DRAWING NO: SBP200375WE2.5
SHEET: 1 of 1	RESTRICTED TO: -
REV: F1	