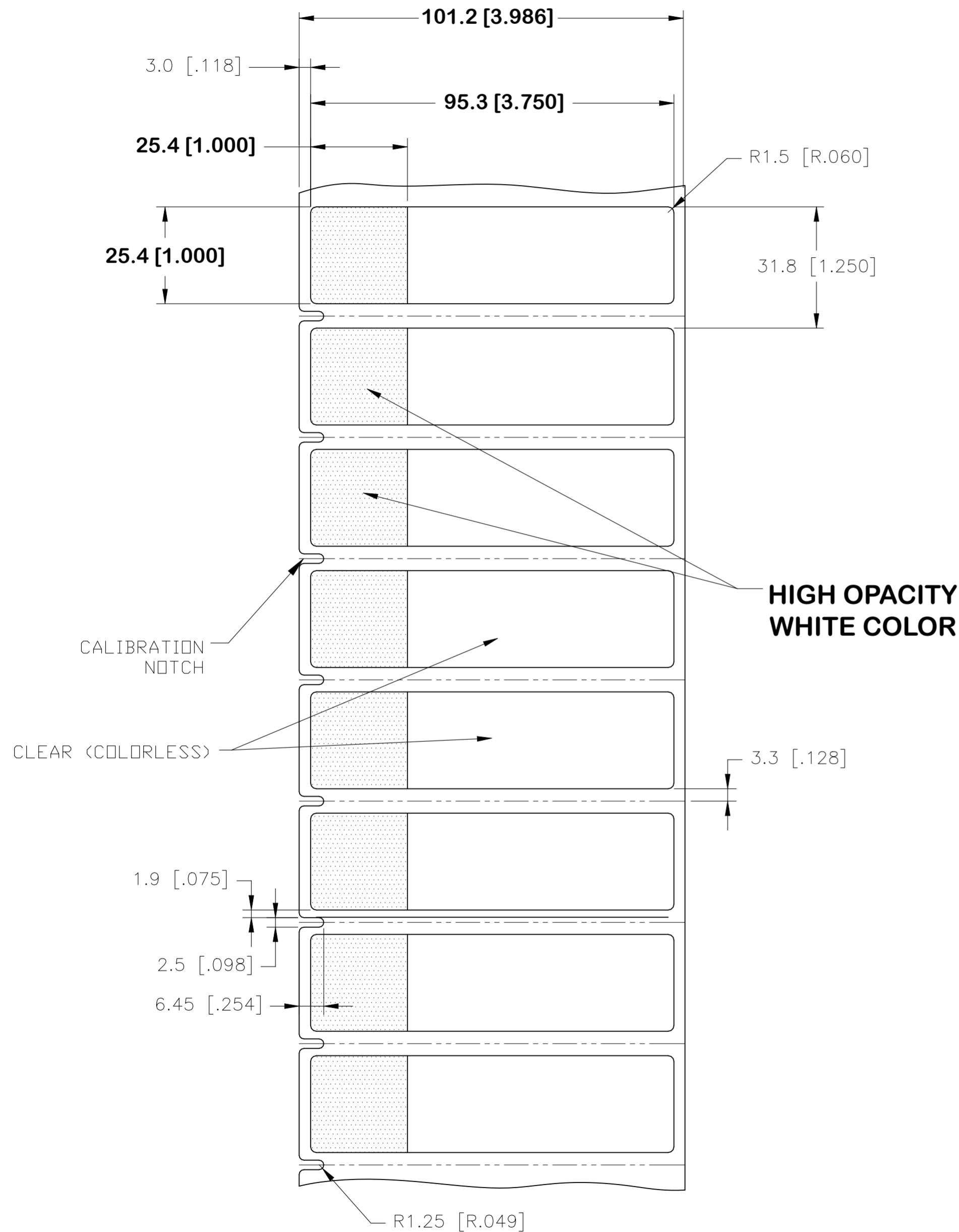
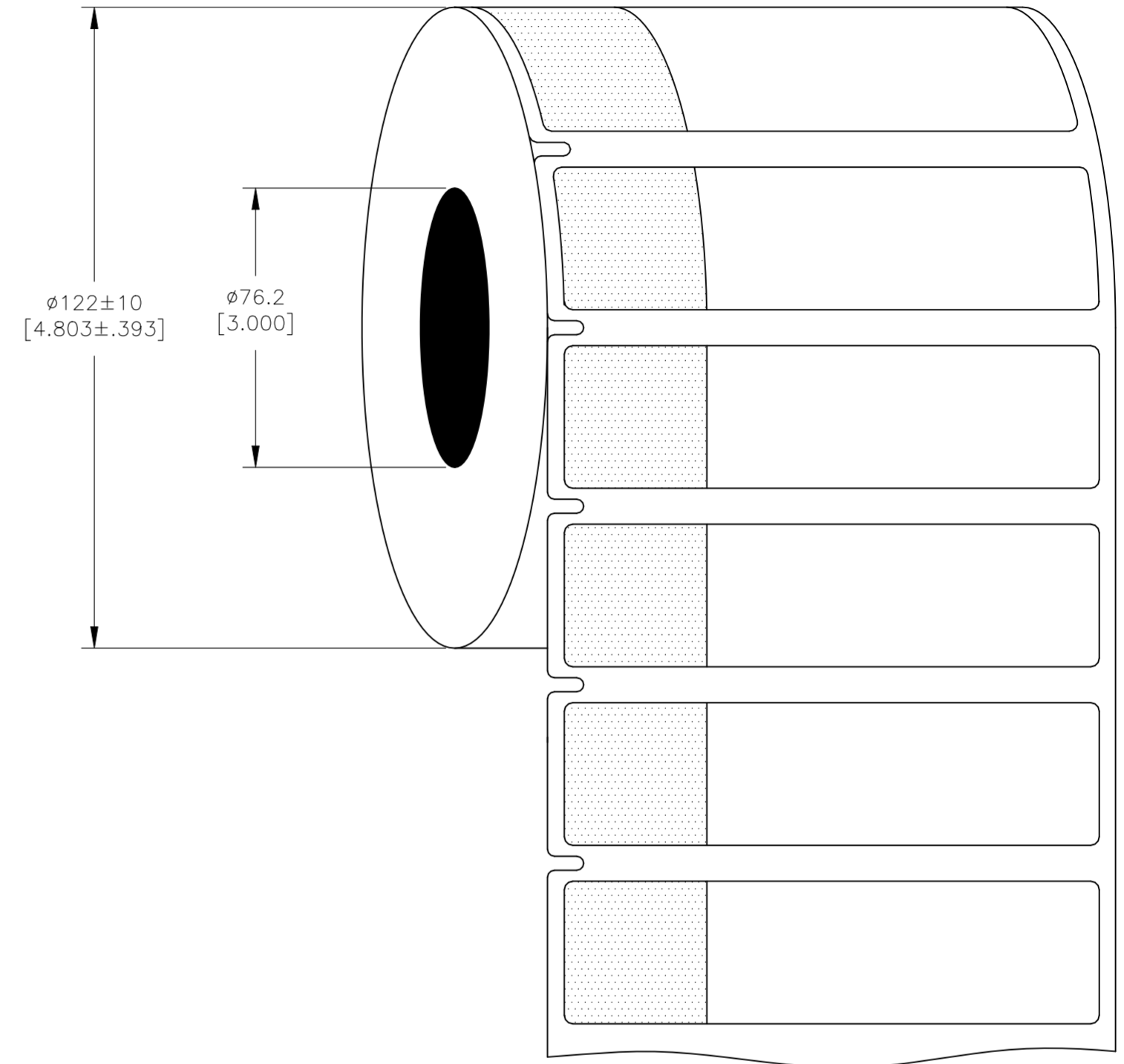


REVISIONS					
P	LTR	DESCRIPTION	DATE	DWN	APVD
F1		UL LABEL CHANGE	05JUL2024	GSK	DB

### LABEL AND LINER DESIGN



### PRESENTATION



**OUTSIDE WOUND  
LABEL ACROSS: 1  
PER ROLL QTY: 2500**

All dimensions in mm [Inch]

**TE PN: CN9941-000**

UL-MARKING AND LABELLING SYSTEMS	
PGCT2 - Flag Labels, Flag Tags, Wrap-around Labels & Related Products - Component	
PGCT8 - Flag Labels, Flag Tags, Wrap-around Labels & Related Products Certified for Canada - Component	
File: MH65661	Model N°: <b>SBP</b>

TOLERANCES mm [INCH]	
LABEL HEIGHT:	$\pm 0.3$ [.012]
LABEL WIDTH:	$\pm 0.3$ [.012]
WEB WIDTH:	$\pm 0.8$ [.031]
VERTICAL REPEAT:	$\pm 0.8$ [.031]*
HORIZONTAL REPEAT:	$\pm 0.8$ [.031]*
PRINT POSITIONING:	$\pm 0.8$ [.031]*
LEFT MARGIN:	$\pm 0.4$ [.016]
QUANTITY:	-0 % +2 %
*NON ACCUMULATING	

THIS DRAWING IS A CONTROLLED DOCUMENT.	
DIMENSIONS:	TOLERANCES UNLESS OTHERWISE SPECIFIED:
mm [INCHES]	
	0 PLC $\pm$
	1 PLC $\pm$
	2 PLC $\pm$
	3 PLC $\pm$
	4 PLC $\pm$
	ANGLES $\pm$
MATERIAL	FINISH
SEE TABLE	GLOSSY

MATERIAL	CLEAR VINYL
ADHESIVE TYPE	ACRYLIC PERMANENT
LINEAR	WHITE KRAFT
DWN	21MAR2017
CHK	GOPALAKRISHNA HV
APVD	21MAR2017
NAME	D.BURGAT
PRODUCT SPEC	TIDS-211
APPLICATION SPEC	
WEIGHT	0.336 <sub>g</sub>
SIZE	A2
CAGE CODE	00779
DRAWING NO	C=SBPH100375WE2.5
RESTRICTED TO	
CUSTOMER DRAWING	SCALE NTS
SHEET	1 of 1
REV	F1