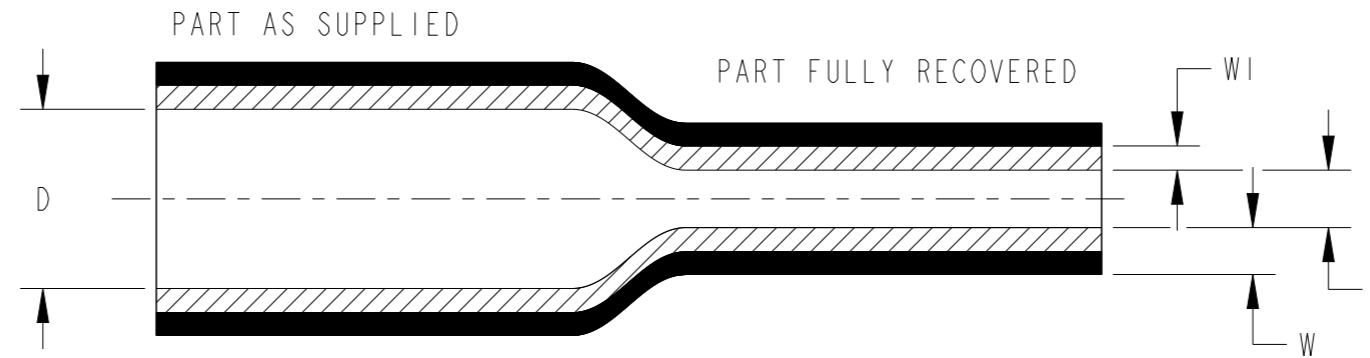
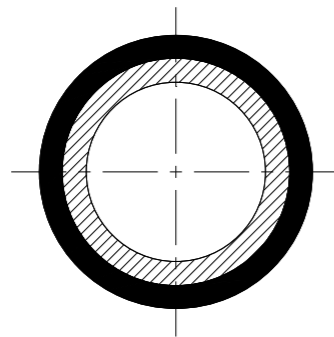


P	LTR	DESCRIPTION	DATE	DWN	APVD
	A	INITIAL RELEASE	28AUG2023	BDA	MB
	AI	DRAFTING CLARIFICATION	19DEC2023	BDA	VN



PRODUCT DIMENSIONS

PRODUCT SIZES	AS SUPPLIED		AS RECOVERED									
	MINIMUM INSIDE DIAMETER (D)		MAXIMUM INSIDE DIAMETER (d)		TOTAL WALL THICKNESS (W)						INNER MELTABLE WALL THICKNESS (WI)	
	mm.	in.	mm.	in.	MINIMUM		MAXIMUM		NOMINAL		NOMINAL	
	mm.	in.	mm.	in.	mm.	in.	mm.	in.	mm.	in.	mm.	in.
SCL-1/8	3.17	0.125	0.58	0.023	0.81	0.032	1.15	0.045	0.98	0.039	0.50	0.020
SCL-3/16	4.74	0.187	1.52	0.060	0.93	0.037	1.24	0.049	1.09	0.043	0.64	0.025
SCL-1/4	6.35	0.250	2.03	0.080	1.04	0.041	1.34	0.053	1.19	0.047	0.68	0.027
SCL-3/8	9.93	0.391	3.42	0.135	1.09	0.043	1.44	0.057	1.27	0.050	0.76	0.030
SCL-1/2	12.70	0.500	4.95	0.195	1.21	0.048	1.57	0.062	1.39	0.055	0.88	0.035
SCL-3/4	19.05	0.750	7.95	0.313	1.47	0.058	1.82	0.072	1.65	0.065	1.01	0.040
SCL-1	25.40	1.000	10.16	0.400	1.72	0.068	2.08	0.082	1.90	0.075	1.01	0.040

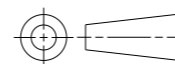
PRODUCT INFORMATION

- NON-FLAME RETARDANT
- MATERIAL: CROSSLINKED POLYOLEFIN
- COLOR: JACKET AND CORE COLORS ARE BLACK AND RED
- LONGITUDINAL CHANGE ON FULL RECOVERY: +1 TO -10
- TUBING CUT TO SPECIFIC LENGTHS CAN BE SUPPLIED FROM THE PRODUCT SIZES REFERENCED WITHIN THIS DRAWING.

STANDARD CUTTING TOLERANCES(mm)	
CUT LENGTH	TOLERANCE
UPTO TO 9.90mm	±1.50mm
10mm TO 24.90mm	±1.50mm
25mm TO 54.90mm	±1.50mm
55mm TO 99.90mm	±3.00mm
100mm TO 149.90mm	±4.00mm
150mm TO 499.90mm	±5.00mm
500mm AND GREATER	±25.40mm

THIS DRAWING IS A CONTROLLED DOCUMENT.

DIMENSIONS:
mm(Inches)



MATERIAL
SEE NOTE

TOLERANCES UNLESS OTHERWISE SPECIFIED:

- 0 PLC ±0.1
- 1 PLC ±0.1
- 2 PLC ±0.01
- 3 PLC ±0.001
- 4 PLC ±0.0001
- ANGLES ±
- FINISH -

DWN	28AUG2023
BASAVARAJA D A	
CHK	28AUG2023
SELVAPANDIAN B	
APVD	28AUG2023
VLADIMIR NEMEC	
PRODUCT SPEC	108-120027
APPLICATION SPEC	114-120023
WEIGHT	-
CUSTOMER DRAWING	



NAME
SCL HEAT-SHRINKABLE TUBING

SIZE	CAGE CODE	DRAWING NO	RESTRICTED TO
A3	-	©=SCL-STD-SIZES	-
SCALE		SHEET	REV
NTS		1 OF 1	AI