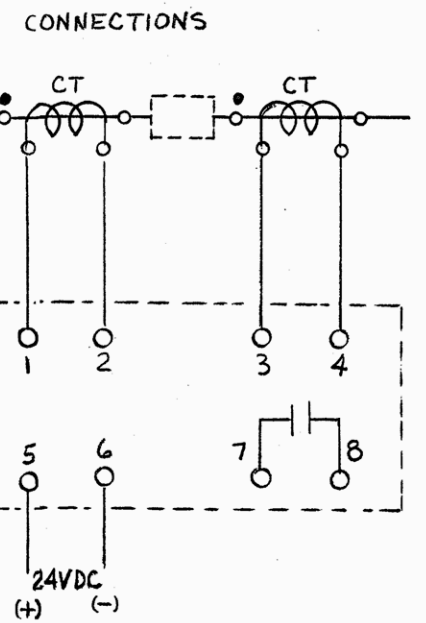
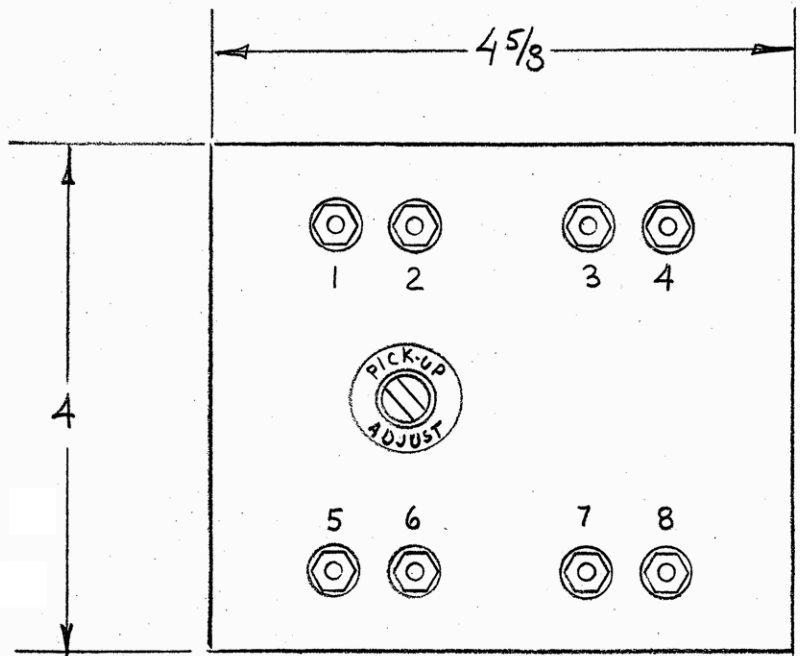
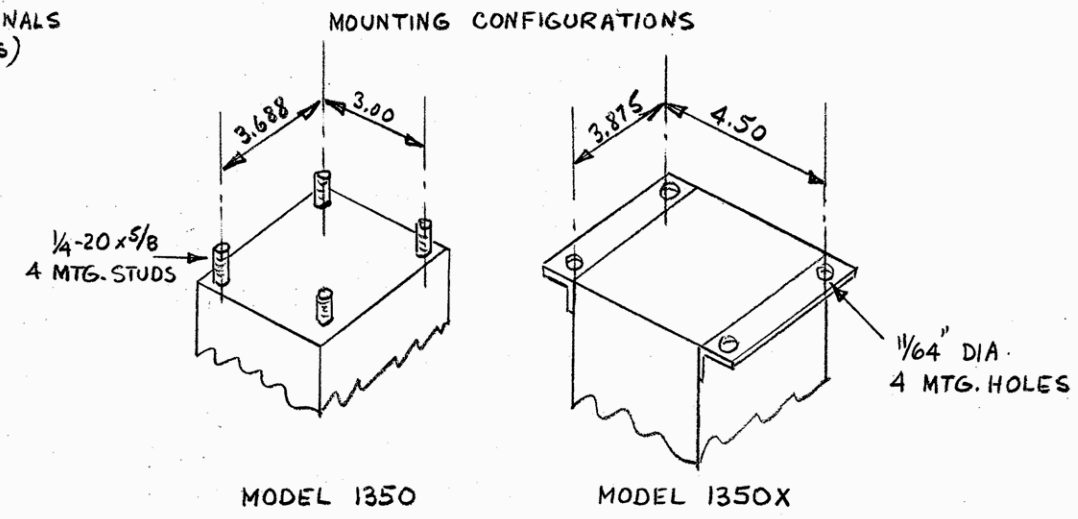
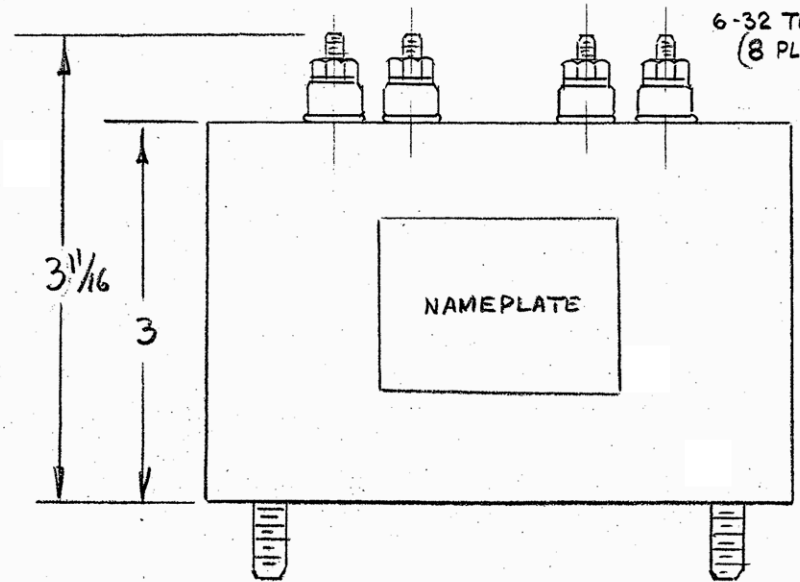


REVISIONS				
ZONE	LTR	DESCRIPTION	DATE	APPROVED



SPECIFICATIONS

INPUT CURRENT: 0-5 AMP. AC , 50-500Hz.
 CONTROL VOLTAGE : 24VDC
 OPERATION: THE OUTPUT CONTACTS WILL REMAIN OPEN WHEN THE TWO CURRENTS ARE EQUAL. THE OUTPUT CONTACTS WILL CLOSE WHEN THE TWO CURRENTS ARE NOT EQUAL.
 CURRENT DIFFERENTIAL PICK-UP: THE DIFFERENTIAL TRIP POINT IS SCREWDRIVER ADJUSTABLE TO ANY VALUE BETWEEN 0.1AMP AND 0.5 AMP.
 OUTPUT CONTACTS : SPNO
 CONTACT RATING : 5 AMP. RESISTIVE AT 120VAC OR 28VDC
 CONSTRUCTION: SOLID STATE SENSOR WITH RELAY
 OUTPUT ENCLOSED IN A SEALED STEEL CAN.



Tyco Electronics
 Kilovac Division

Customer Drawing
 SD-1350(X) ↑
 - 1618062-5 Rev O
 X 1618062-8 Rev E

QTY REQD	SYM	DESCRIPTION	CODE IDENT NO.	PART NO.	SPEC	MATERIAL OR NOTE	ITEM NO.
LIST OF MATERIAL							
CONTRACT NO.				WILMAR ELECTRONICS, INC. TORRANCE, CALIFORNIA			
DRAWN		ERH	10-30-73	TITLE			
CHECKED		CURRENT DIFFERENTIAL RELAY					
DESIGN APPROVAL		MODEL 1350					
PROJECT APPROVAL		SIZE		CODE IDENT NO.	DWG NO.		
DESIGN ACTIVITY APPROVAL		C	25248	21-229			
APPROVAL		SCALE	1:1	WEIGHT	SHEET		

UNLESS OTHERWISE SPECIFIED DIMENSIONS ARE IN INCHES

TOLERANCES ON FRACTIONS	DECIMALS	ANGLES
± 1/32	± .010	± 1/2°

BREAK ALL SHARP EDGES .015 MAX. AND DEBURR

MATERIAL:

NEXT ASSY	USED ON
APPLICATION	