

# High Voltage Vacuum Relay

## Features

### Physical:

- Hermetically Sealed: arc contained
- Maintenance free
- Corona shield H.V. terminal available.

### Environmental:

- Temperature range -55°C to 125°C
- 20G Shock

### Ratings:

- 12 kVdc
- 5 kV @ 32 MHz
- 30 Adc carry

### Coil Voltage & Power:

- 12, 26.5, 115 Vdc Standard



P.O. Box 4422, Santa Barbara, CA 93140  
 Phone (805) 684-4560 Fax (805) 684-9679  
 E-Mail: [info@ciitech.com](mailto:info@ciitech.com)  
 Internet: <http://www.ciitech.com/>

TITLE

**High Voltage Vacuum Relay**

PREP. BY	Tanner	90-2-5
CHKD. BY	RG	90-2-7

DWG NO.	<b>H-16</b>	
CAGE CODE	18741	SCALE
		NA
		SHEET
		1 of 5

## General Specifications

F

### Physical Data

	Units	H-16
Contact Arrangement		DPDT
Form		2C
Weight	oz	6

### Environmental Data

Shock, 11ms ½ sine	$g_{peak}$	20
Vibration, 10 $g_{peak}$	Hz	55-500
Operating Temperature Range	°C	-55 to +125

### Electrical Data

Test Voltage (dc or 60 Hz)	$kV_{peak}$	15
Rated Operating Voltage		
dc or 60 Hz	$kV_{peak}$	12
2.5 MHz	$kV_{peak}$	10
16 MHz	$kV_{peak}$	8
32 MHz	$kV_{peak}$	5
Continuous Current Carry, Maximum		
dc or 60 Hz	A RMS	30
2.5 MHz	A RMS	10
16 MHz	A RMS	6
32 MHz	A RMS	4
Coil Hi-Pot	Vrms	500
Contact Capacitance		
Between Open Contacts	pF	1.0
Open Contacts to Ground	pF	2.5
Contact Resistance, maximum	Ohms	0.030
Mechanical Life	cycles	500,000

### Mechanical Data

Operate Time, Maximum	ms	20
Release Time, Maximum	ms	20

1. RATINGS ARE FOR 25 °C SEA LEVEL CONDITIONS.
2. RELAY BASE MUST BE GROUNDED



P.O. Box 4422, Santa Barbara, CA 93140  
 Phone: (805) 684-4560 Fax: (805) 684-9679  
 E-Mail: [info@ciitech.com](mailto:info@ciitech.com)  
 Internet: <http://www.ciitech.com>

## H-16

THIRD ANGLE PROJECTION



THIS DRAWING  
PREPARED IN  
ACCORDANCE WITH

CAGE CODE

10744

SCALE

NA

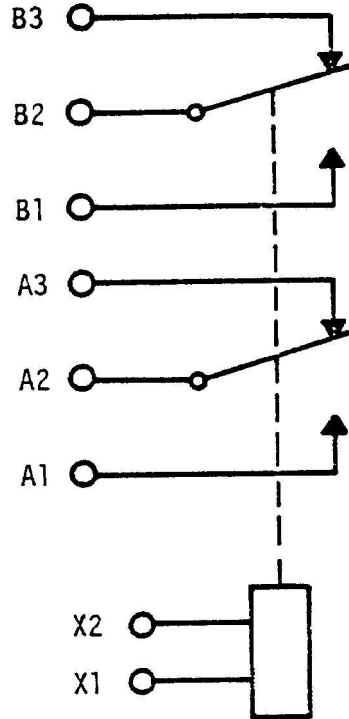
SHEET

01 of 5

Coil Electronic Data

	Units	H-16/12VDC	H-16	H-16/115VDC
Coil Voltage, nominal	Vdc	12	26.5	115
Pickup Voltage, maximum	Vdc	8	16	80
Drop-out Voltage	Vdc	.5-5	1-10	5-50
Coil Resistance (± 10%)	Ohms	24	120	2000

Schematic



P.O. Box 4422, Santa Barbara, CA 93140  
 Phone: (805) 684-4560 Fax: (805) 684-9679  
 E-Mail: [info@ciitech.com](mailto:info@ciitech.com)  
 Internet: <http://www.ciitech.com>

**H-16**

THIRD ANGLE PROJECTION



THIS DRAWING  
 PREPARED IN  
 ACCORDANCE WITH

CAGE CODE

10744

SCALE

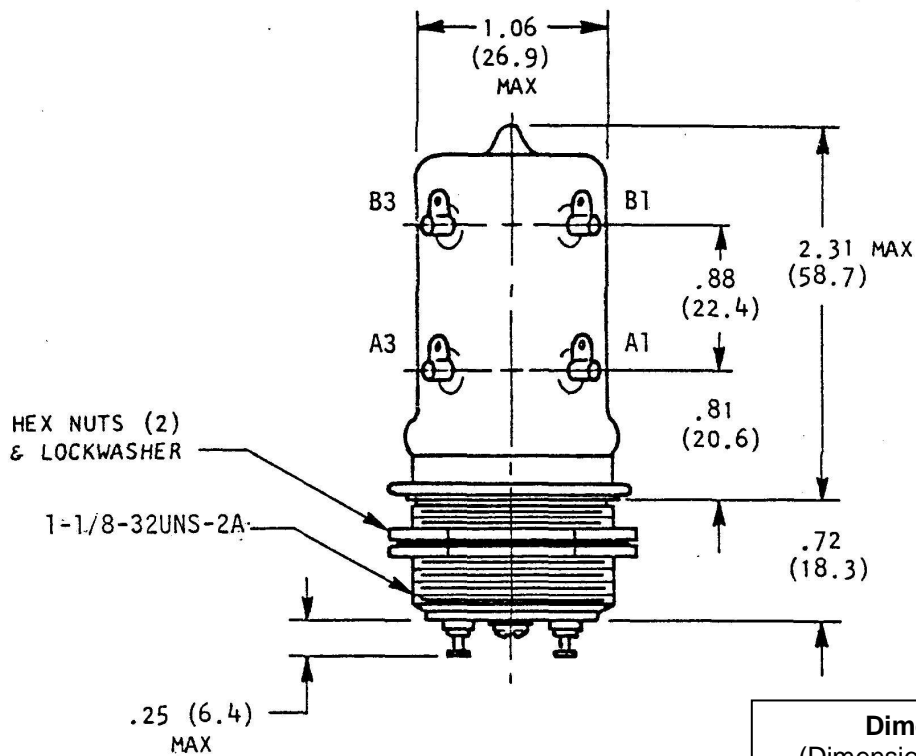
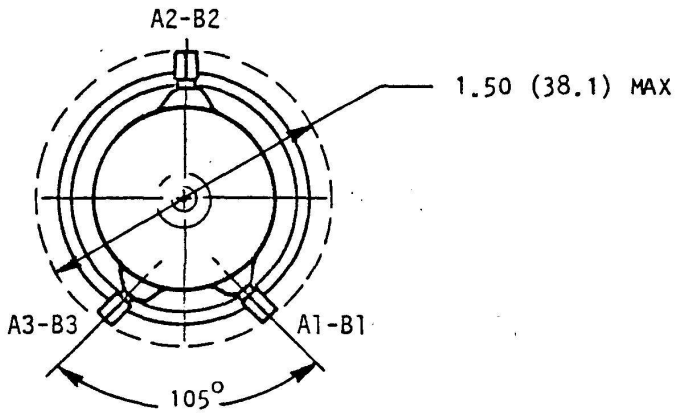
NA

SHEET

0 of 5

**Part Drawing**

**F**



**Dimensions in Inches**  
 (Dimensions in Parentheses are in Millimeters)  
 Tolerances Except as Noted  
 .xx = ±.03  
 .xxx = ±.010  
 ∠ x° = ± 2°  
**DO NOT SCALE DWG.**



P.O. Box 4422, Santa Barbara, CA 93140  
 Phone: (805) 684-4560 Fax: (805) 684-9679  
 E-Mail: [info@ciitech.com](mailto:info@ciitech.com)  
 Internet: <http://www.ciitech.com>

**H-16**

THIRD ANGLE PROJECTION



THIS DRAWING PREPARED IN ACCORDANCE WITH

CAGE CODE	SCALE	SHEET
-----------	-------	-------

## Revisions

REV.	DESCRIPTION	DATE	APP.
E	REV'D P1, 2,3, & 4 ECO 8033	90-2-7	RG
F	New Template per DCO 11856	99-9-7	RJG



P.O. Box 4422, Santa Barbara, CA 93140  
 Phone: (805) 684-4560 Fax: (805) 684-9679  
 E-Mail: [info@ciitech.com](mailto:info@ciitech.com)  
 Internet: <http://www.ciitech.com>

### H-16

THIRD ANGLE PROJECTION



THIS DRAWING  
 PREPARED IN  
 ACCORDANCE WITH

CAGE CODE

10744

SCALE

NA

SHEET

5 of 5