

High Voltage Vacuum Relay



CII Technologies™
advanced control electronic solutions

P.O. Box 4422, Santa Barbara, CA 93140
Phone (805) 684-4560 Fax (805) 684-9679

E-Mail: info@ciitech.com

Internet: <http://www.ciitech.com/>

TITLE

High Voltage Vacuum Relay

PREP. BY	JP	96-1-82
CHKD. BY	RJG	00-7-28

DWG NO.

H-26

CAGE CODE

18741

SCALE

NA

SHEET

1 of 5

General Specifications

E

Physical Data

Units

Contact Arrangement		4PDT
Form		4C
Weight, (Max)	oz	12.0

Environmental Data

Shock, 11ms ½ sine	g_{peak}	30
Vibration, 10 g_{peak}	Hz	55-500
Operating Temperature Range	°C	-55 to +125

Electrical Data

Test Voltage (dc or 60 Hz)	kV_{peak}	17
Rated Operating Voltage		
dc or 60 Hz	kV_{peak}	15
2.5 MHz	kV_{peak}	12
16 MHz	kV_{peak}	10
32 MHz	kV_{peak}	7
Continuous Current Carry		
dc or 60 Hz	A RMS	30
2.5 MHz	A RMS	10
16 MHz	A RMS	6
32 MHz	A RMS	4
Coil Hi-Pot	Vrms	500
Contact Capacitance		
Between Open Contacts	pF	1.0
Open Contacts to Ground	pF	2.5
Contact Resistance, maximum	Ohms	0.20

Mechanical Data

Operate Time, Maximum	ms	30
Release Time, Maximum	ms	30
Mechanical Life	cycles	100,000

1. RATINGS LISTED ARE FOR 25 °C SEA LEVEL CONDITIONS.
2. RELAY BASE MUST BE GROUNDED



P.O. Box 4422, Santa Barbara, CA 93140
 Phone: (805) 684-4560 Fax: (805) 684-9679
 E-Mail: info@ciitech.com
 Internet: <http://www.ciitech.com>

H-26

THIRD ANGLE PROJECTION



THIS DRAWING
PREPARED IN
ACCORDANCE WITH

CAGE CODE

10744

SCALE

N/A

SHEET

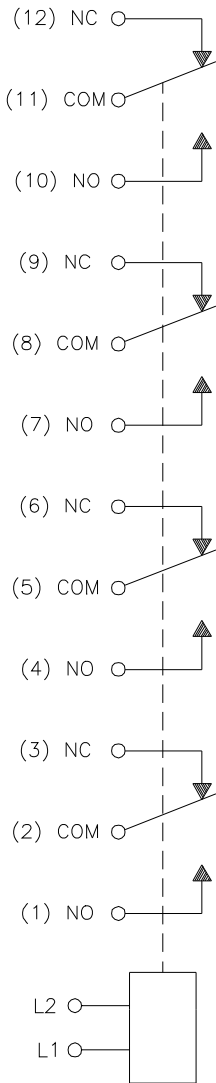
01 of 5

Coil & Electronics Data

E

	Units	H-26	H-26/115VDC
Coil Voltage, nominal	Vdc	26.5	115
Pickup Voltage, maximum	Vdc	16	80
Drop-out Voltage	Vdc	1-10	5-50
Coil Resistance ($\pm 10\%$)	Ohms	130	2100

Schematic



P.O. Box 4422, Santa Barbara, CA 93140
 Phone: (805) 684-4560 Fax: (805) 684-9679
 E-Mail: info@ciitech.com
 Internet: <http://www.ciitech.com>

H-26

THIRD ANGLE PROJECTION



THIS DRAWING
 PREPARED IN
 ACCORDANCE WITH

CAGE CODE

10744

SCALE

N/A

SHEET

0 of 5

(Dimensions in Parentheses are in Millimeters)

Tolerances except as noted

.xx = ±.03

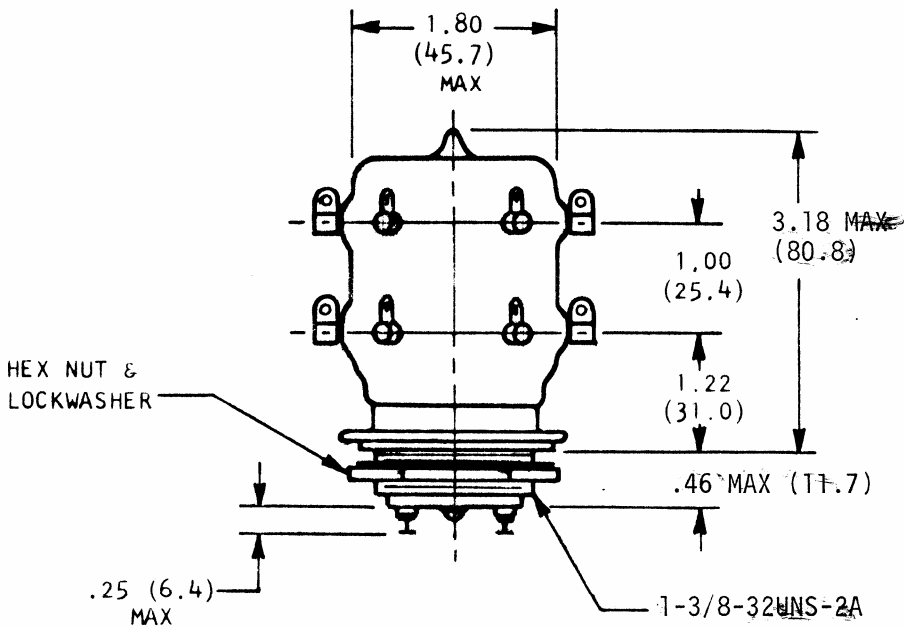
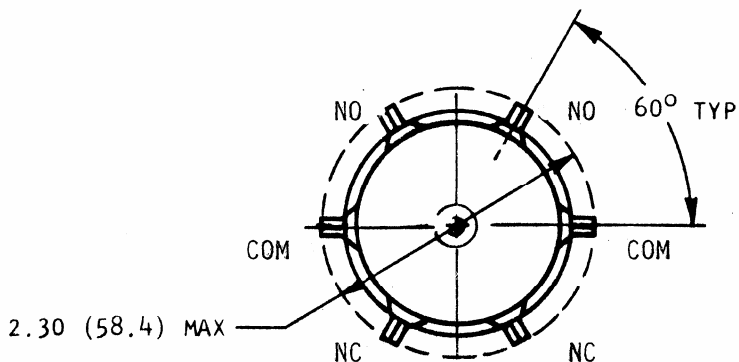
.xxx = ±.010

∠ x° = ± 2°

DO NOT SCALE DWG.

Part Drawing

E



P.O. Box 4422, Santa Barbara, CA 93140
 Phone: (805) 684-4560 Fax: (805) 684-9679
 E-Mail: info@ciitech.com
 Internet: <http://www.ciitech.com>

H-26

THIRD ANGLE PROJECTION



THIS DRAWING
PREPARED IN
ACCORDANCE WITH

CAGE CODE

SCALE

SHEET

Revisions

REV.	DESCRIPTION	DATE	APP.
A	Initial Release per ECO 6359	82/06/03	LL
B	Revised Pages 1, 2, and 4 ECO 7702	87/05/08	DKP
C	Revised Pages 1 and 2 ECO 7815	97/10/07	RG
D	Revised Pages 1 ECO 8319	90/02/13	RG
E	New Template DCO 11856	00-7-28	RJG



P.O. Box 4422, Santa Barbara, CA 93140
 Phone: (805) 684-4560 Fax: (805) 684-9679
 E-Mail: info@ciitech.com
 Internet: <http://www.ciitech.com>

H-26

THIRD ANGLE PROJECTION



THIS DRAWING
 PREPARED IN
 ACCORDANCE WITH

CAGE CODE

40744

SCALE

N/A

SHEET

5 of 5