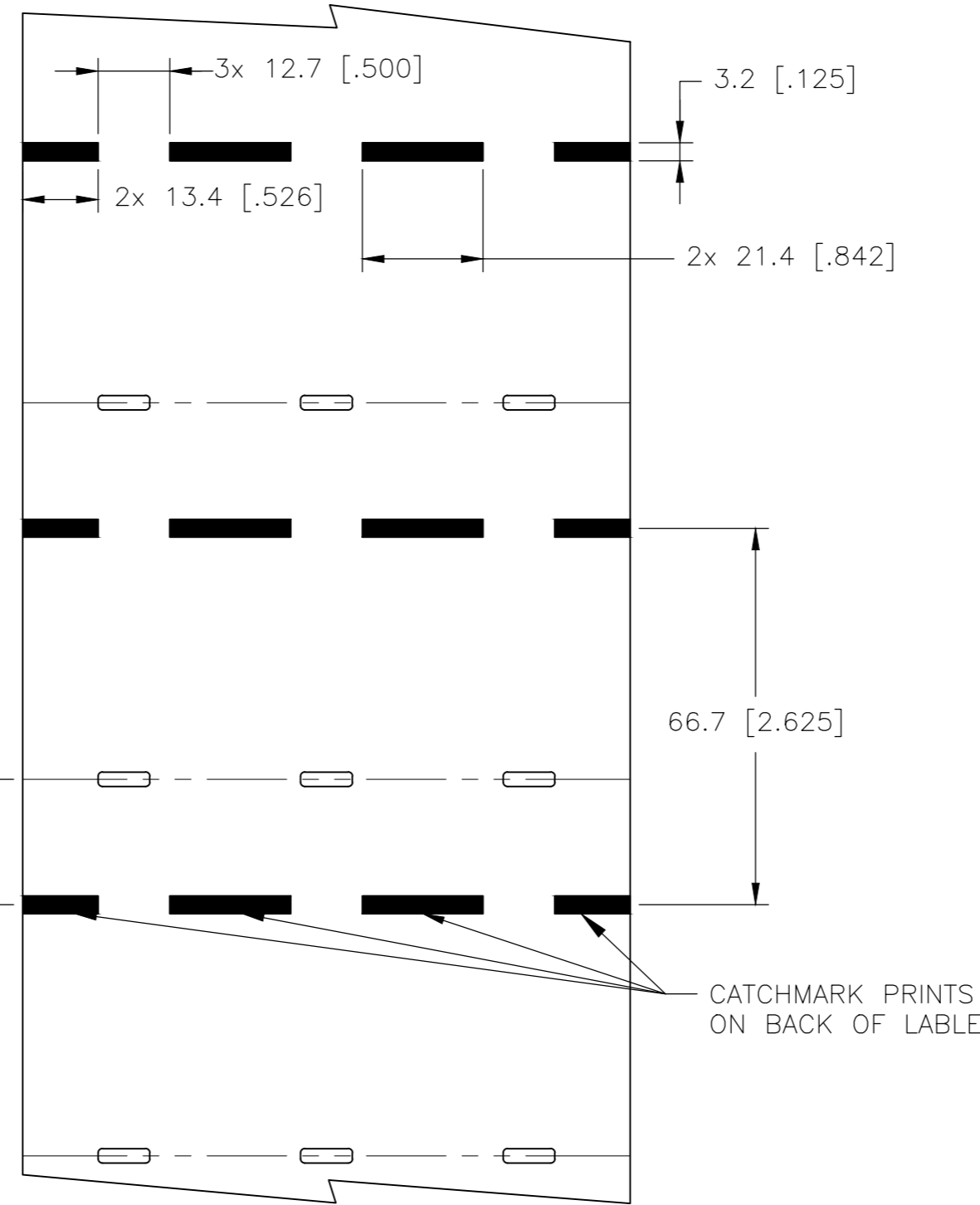
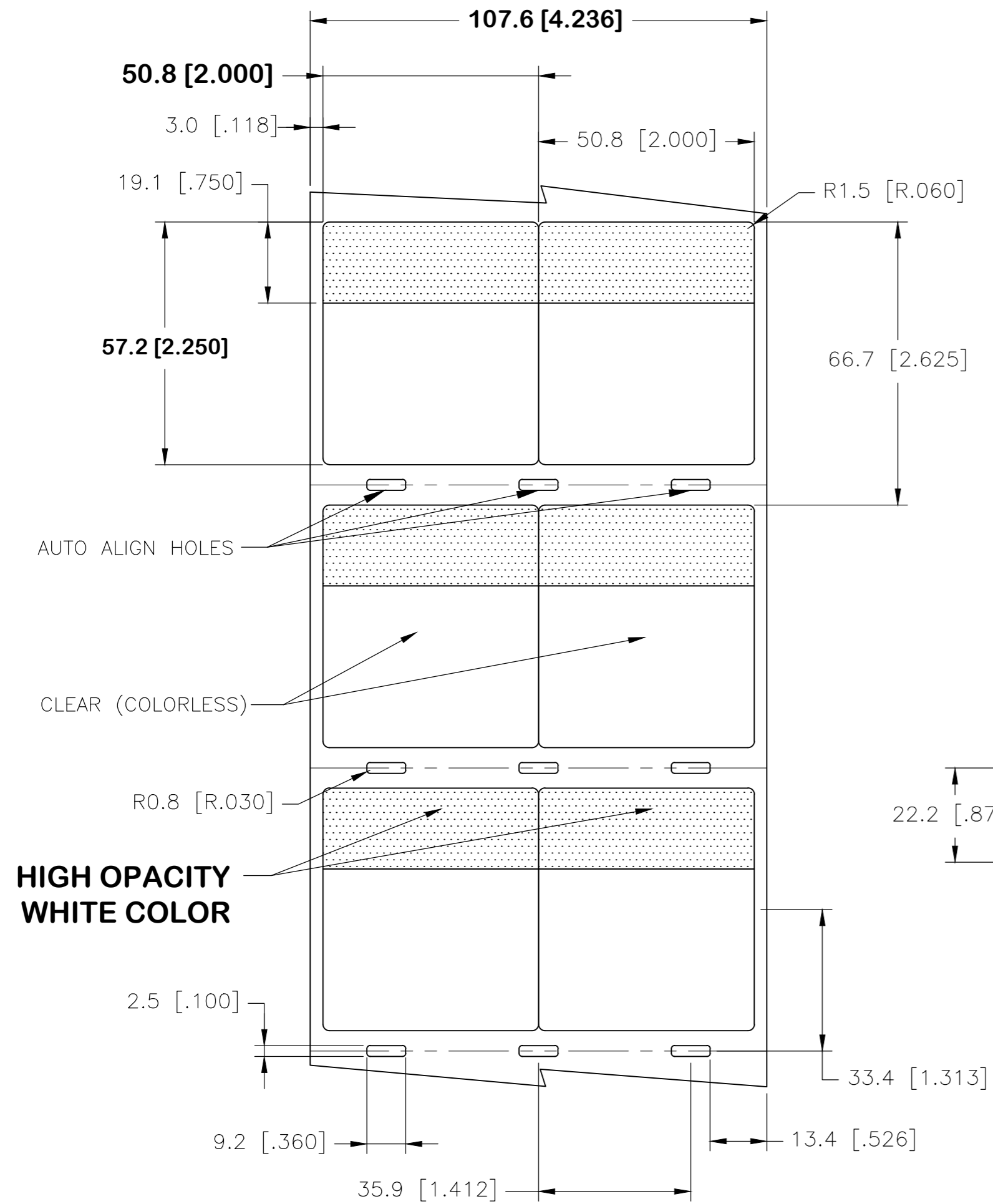


REVISIONS					
P	LTR	DESCRIPTION	DATE	DWN	APVD
A		NEW DRAWING	12MAR2020	GK	DB

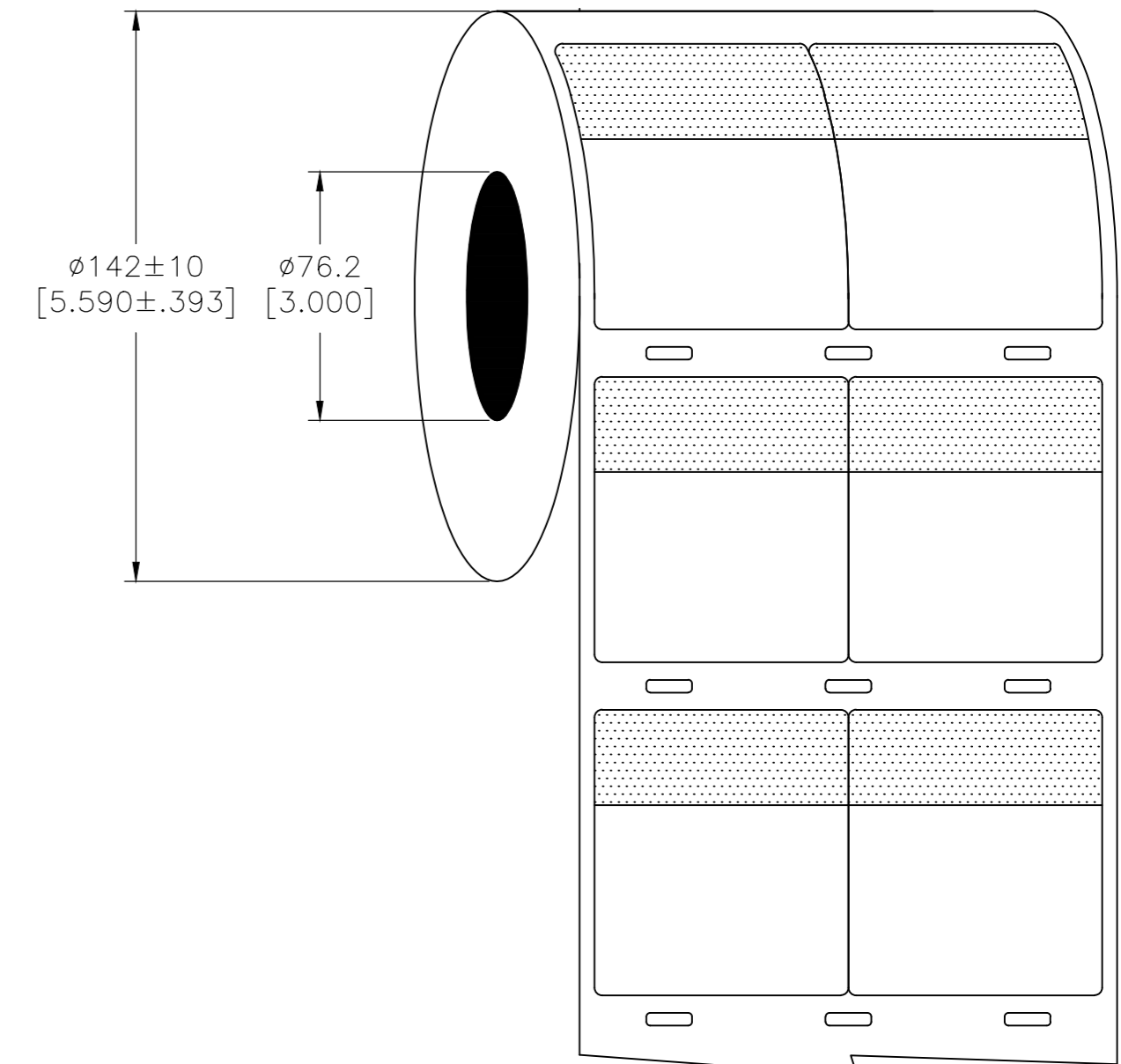
LABEL AND LINER DESIGN



BACK

FRONT

PRESENTATION



**OUTSIDE WOUND
 LABEL ACROSS: 2
 PER ROLL QTY: 2,500**

All dimensions in mm [Inch]

TE PN: D93779-000

TOLERANCES mm [INCH] LABEL HEIGHT: ±0.3 [.012] LABEL WIDTH: ±0.3 [.012] WEB WIDTH: ±0.8 [.031] VERTICAL REPEAT: ±0.8 [.031]* HORIZONTAL REPEAT: ±0.8 [.031]* PRINT POSITIONING: ±0.8 [.031]* LEFT MARGIN: ±0.4 [.016] QUANTITY: -0 % +2 % *NON ACCUMULATING		THIS DRAWING IS A CONTROLLED DOCUMENT. DIMENSIONS: mm [INCHES] TOLERANCES UNLESS OTHERWISE SPECIFIED: 0 PLC ± 1 PLC ± 2 PLC ± 3 PLC ± 4 PLC ± ANGLES ±		MATERIAL: SEE TABLE FINISH: GLOSSY		DWN: 12MAR2020 GOPALAKRISHNA HV CHK: 12MAR2020 D.BURGAT APVD: 12MAR2020 D.BURGAT PRODUCT SPEC: TTDS-220 APPLICATION SPEC:		MATERIAL: CLEAR POLYESTER ADHESIVE TYPE: ACRYLIC PERMANENT LINEAR: BLUE KRAFT		NAME: SP LABEL - WHITE 50.8 x 57.2mm [2.00 x 2.25inch]		SIZE: A2 CAGE CODE: 00779 DRAWING NO: C=SP200225WE2.5 RESTRICTED TO:	
WEIGHT: 0.171g CUSTOMER DRAWING:						SCALE: NTS SHEET: 1 OF 1 REV: A							