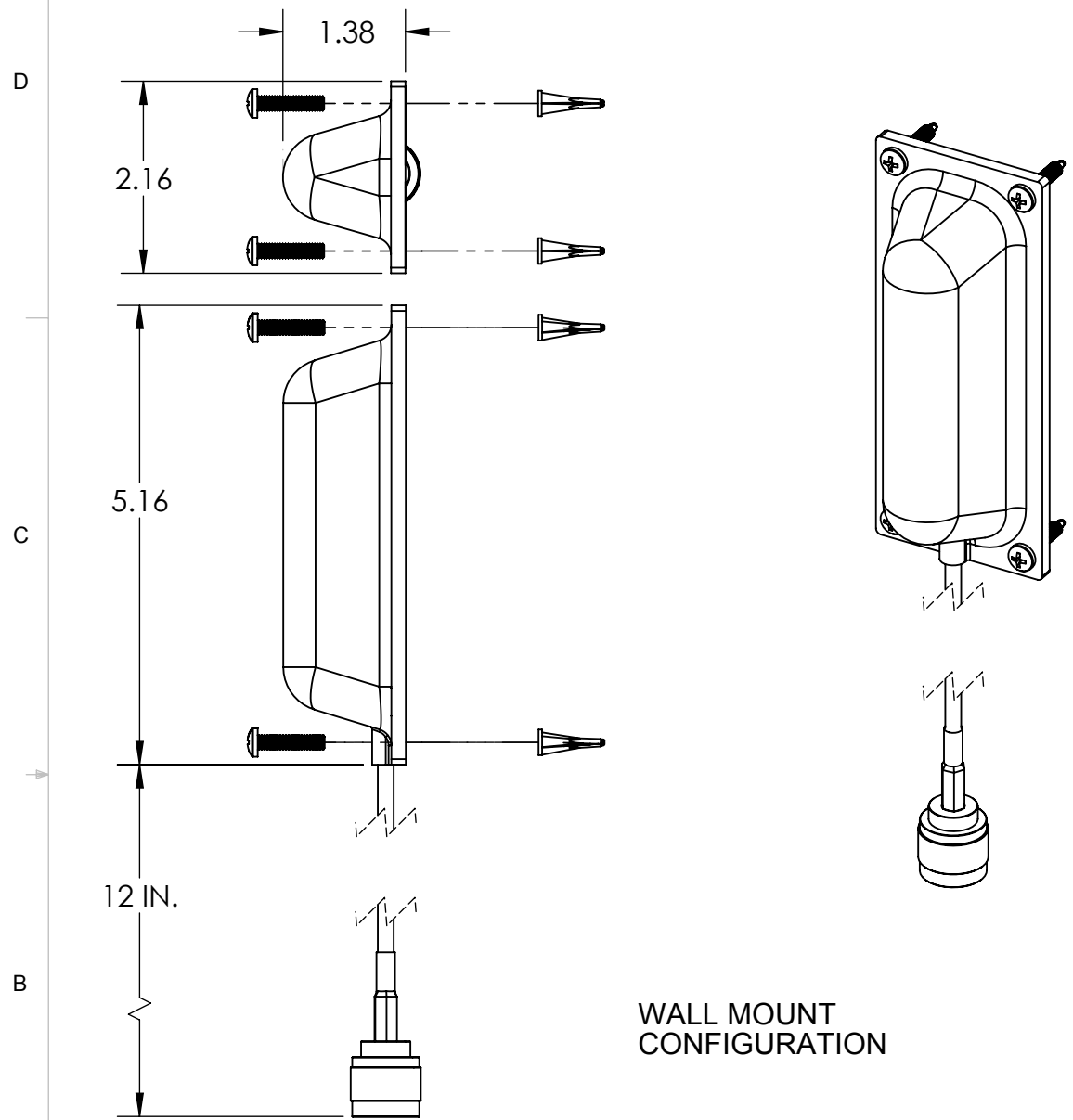
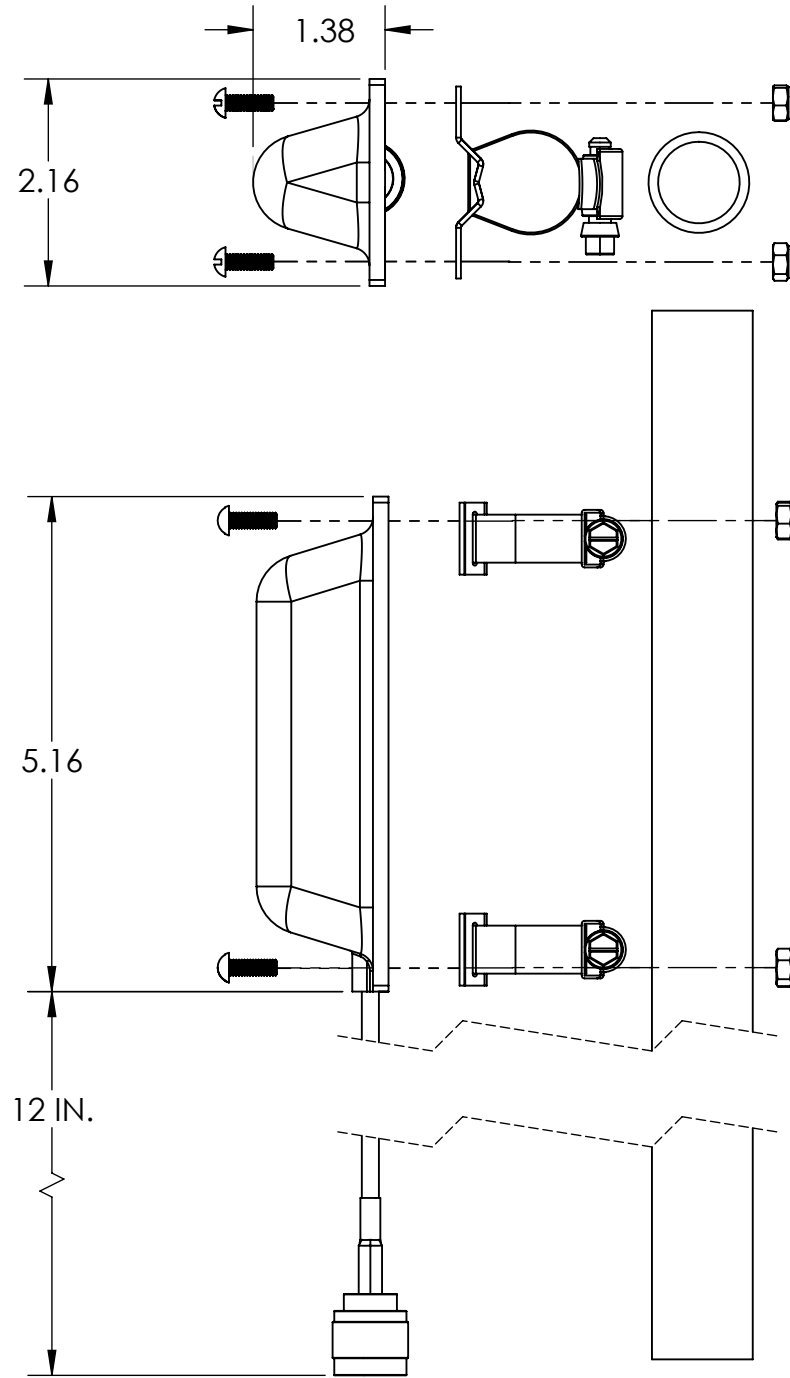


THIS DRAWING IS UNPUBLISHED. RELEASED FOR PUBLICATION --,-- .
 © Copyright 2022 TE Connectivity Ltd. ALL RIGHTS RESERVED.

REVISIONS		DESCRIPTION	DATE	APPROVED
ECR	REV. AA	FORMAL RELEASE	2/23/2007	AA




WALL MOUNT CONFIGURATION



POLE MOUNT CONFIGURATION

Parameter	Performance
Model Number	SR249120D12NM
Frequency	2.4-2.5/4.9-5.9 GHz
Gain	5 dBi Typical
Polarization	Vertical Linear
VSWR	2.0:1
Horizontal 3dB Beamwidth	120 Degrees (Nominal)
Vertical 3dB Beamwidth	65 Degrees (Nominal)
Cable	Low Loss FEP RG-58
Cable length	12"
RF Connector	N-Male
Power	5 Watts
Antenna Weight	0.2 lbs. (0.09 kg.)
Radome Color	White
Mounting	Wall & Mast

The component(s), including any plating or coatings, supplied per this drawing must be compliant with EU Directive 2002/95/EC (RoHS Directive).

THIRD ANGLE PROJECTION		DO NOT SCALE DRAWING			
APPROVALS		DATE			
DRAWN BY M TEITSCH		2/23/07		SR249120D12NM	
PROJ. ENGINEER J MORROW		2/23/07		SIZE B	
PROGRAM MGR. A ALEVY		2/23/07		DWG. NO. SR249120D12NM	
				REV AA	
				SCALE: 1:2	
				PREVIOUS#	
				SHEET 1 OF 1	

INTERPRET DIMENSIONING AND TOLERANCING IN ACCORDANCE WITH ASME Y14.5M-1994

TOLERANCES UNLESS OTHERWISE SPECIFIED

DIMENSIONS ARE IN INCHES

FRACTIONAL ±1/64
 ANGULAR: MACH ± 1/2°
 TWO PLACE DECIMAL ±.01
 THREE PLACE DECIMAL ±.005