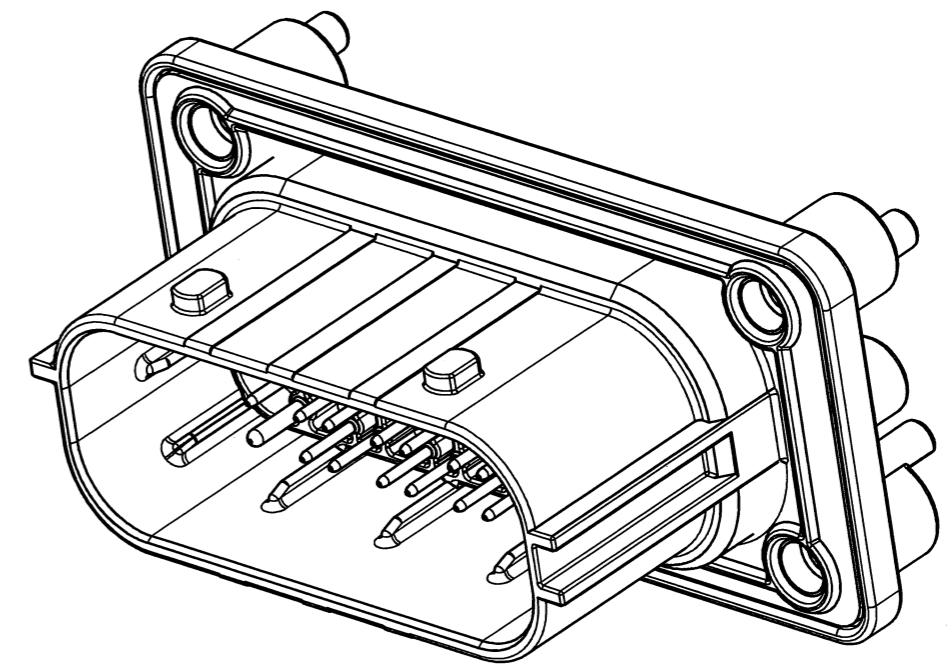
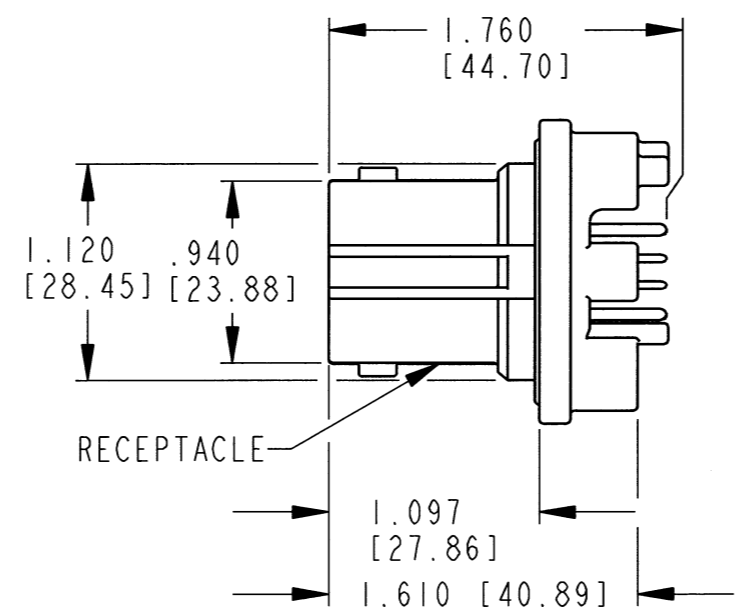
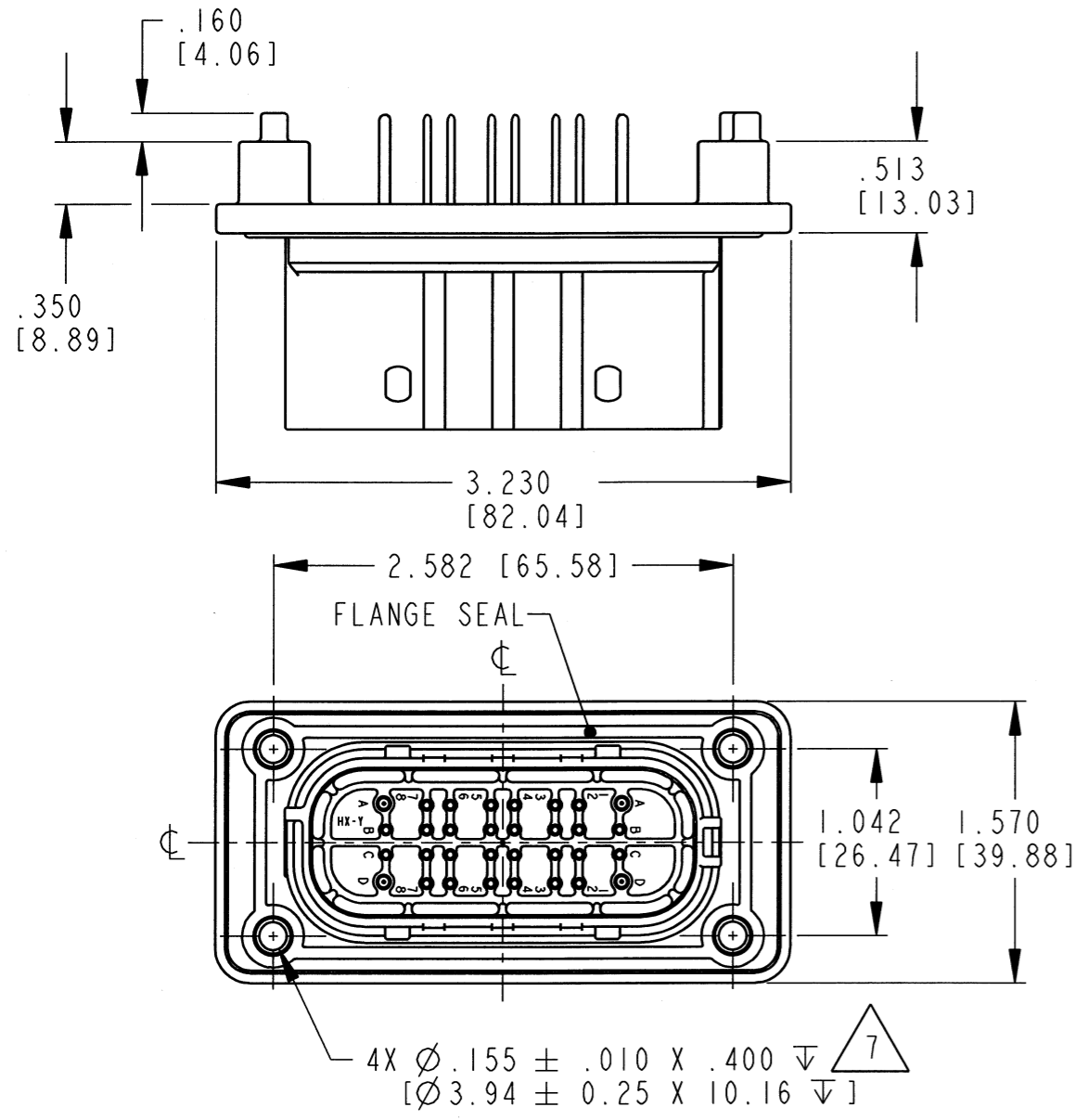


REV  
A  
SRK15-MD\*-32A-001

REVISIONS			
SYM	DESCRIPTION	DATE	APPROVED
NC	NEW RELEASE PER E.O. P20484	6-7-10	R.D.R.
A	REVISE PER E.O. P21434	9-11-12	<i>RDR</i>



**3D VIEW**

7 RECOMMENDED MOUNTING SCREWS: CAMCAR PT THREAD FORMING FASTENER #K50. TORQUE: 10-20 IN-LB [1.13-2.26 N-M].

6 "A" KEY POSITION SHOWN FOR REFERENCE. SEE SHEETS 3, 4 & 5 FOR OTHER KEY ARRANGEMENTS.

5. THIS RECEPTACLE MATES WITH SRK06-MD\*-32A-0\*\* PLUG (\*=A THRU J KEYS; \*\*=ALL MODIFICATIONS).

4. CONTACT PLATING - MATING & PCB SIDE: TIN.

3. MATERIAL - PLASTIC (HOUSING:BLACK); SEALS: RUBBER.

2. DIMENSION TOLERANCE:±.025 [.64]; PANEL CUTOUT:±.010 [.25].

1. DIMENSIONS ARE IN INCHES [mm].

NOTES: UNLESS OTHERWISE SPECIFIED

10 NOT REQUIRED FOR KEYS E-J.

9 SURFACE FINISH: 32 RMS OR BETTER; RECOMMENDED PANEL THICKNESS: .125 [3.18].

8 RECOMMENDED MOUNTING SCREWS: CAMCAR PT THREAD FORMING FASTENER #K40. TORQUE: 10-20 IN-LB [1.13-2.26 N-M]

SIGNATURE & DATE	
DR	J. APOSTOL 01 APR 2010
CHK	<i>R. Efferts</i> 09-11-12
PE	<i>R. Efferts</i> 09-11-12
APPD	<i>P. Roe</i> 9-11-12
SCALE	NONE WT

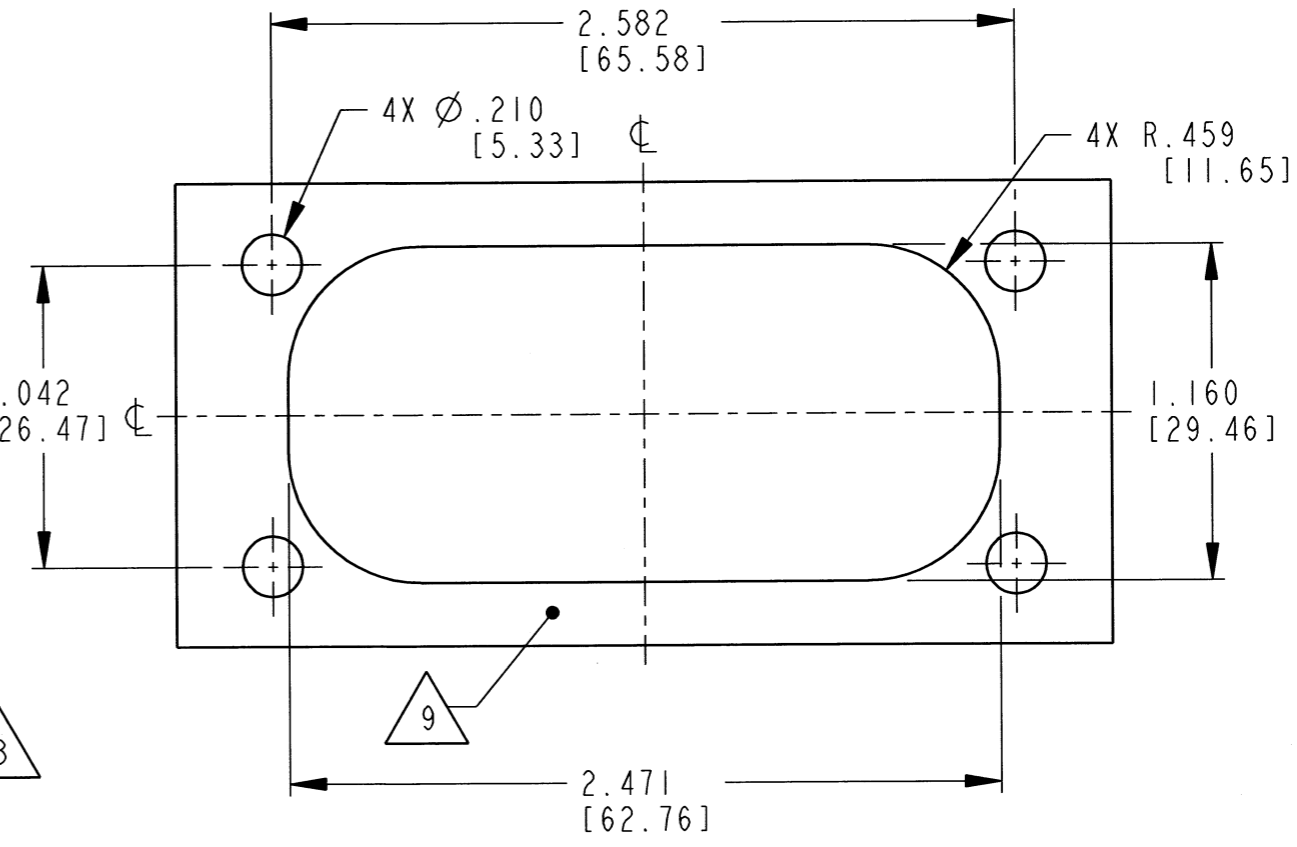
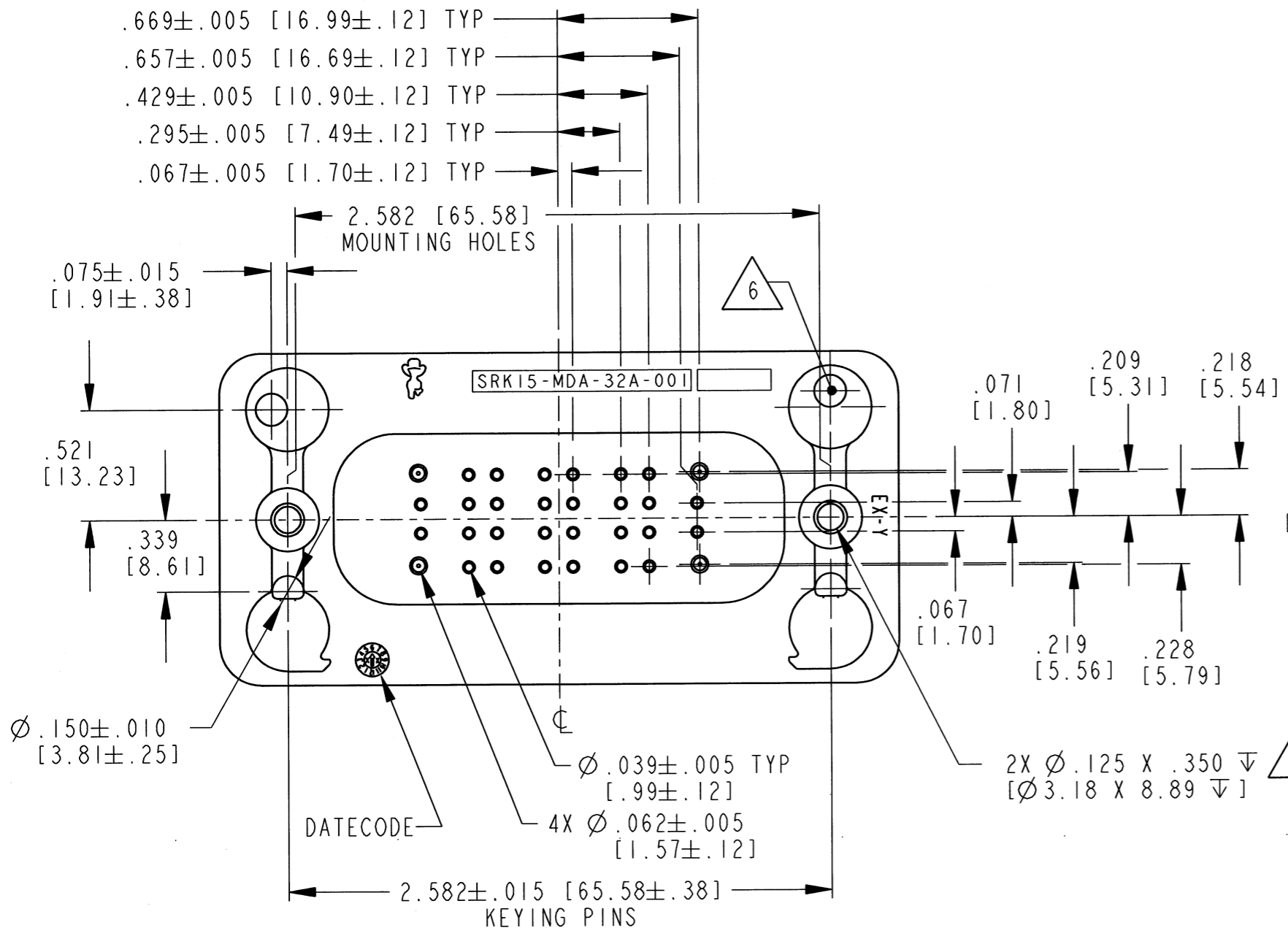
PCB RECEPTACLE  
32 PIN  
SRK SERIES

ENVELOPE

EP 194	MATL. CODE
3850 INDUSTRIAL AVE. HEMET, CA 92545	
<b>B</b> SRK15-MD*-32A-001	
DWG SIZE	SHEET 1 OF 6

REV  
A  
SRK15-MD\*-32A-001

REVISIONS			
SYM	DESCRIPTION	DATE	APPROVED
NC	SEE SHEET 1	6-7-10	R.D.R.
A	SEE SHEET 1	9-11-12	RDR



**PANEL CUTOUT**

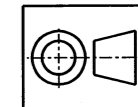
NOTES:

SIGNATURE & DATE	
DR	J. APOSTOL 01 APR 2010
CHK	R. Jefferts... 09-11-12
PE	R. Jefferts... 09-11-12
APPD	R. Reed 9-11-12
SCALE	NONE WT

PCB RECEPTACLE  
32 PIN  
SRK SERIES

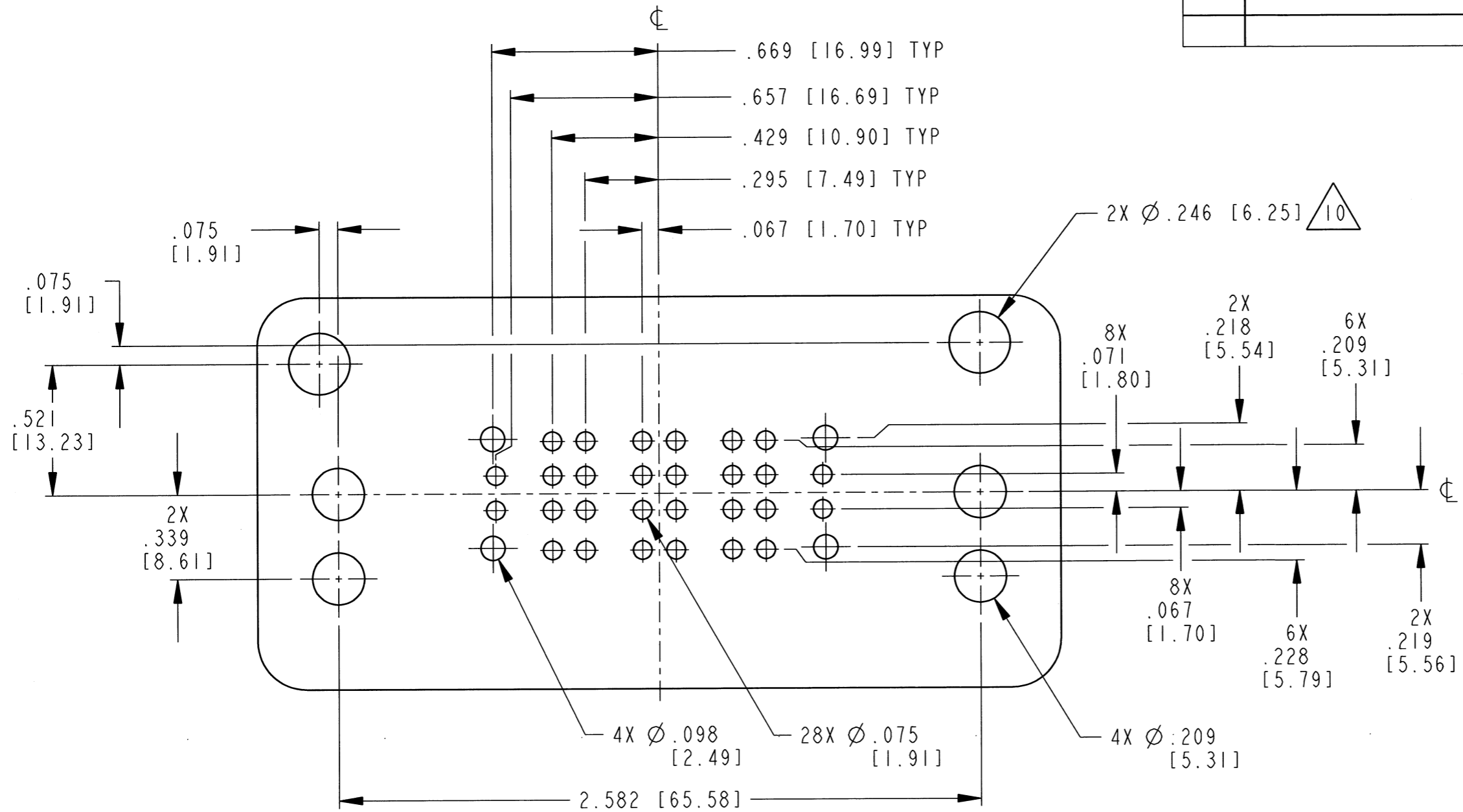
ENVELOPE

EP 194	MATL. CODE
3850 INDUSTRIAL AVE. HEMET, CA 92545	
<b>B SRK15-MD*-32A-001</b>	
DWG SIZE	CODE 11139 SHEET 2 OF 6



REV  
A  
SRK15-MD\*-32A-001

REVISIONS			
SYM	DESCRIPTION	DATE	APPROVED
NC	SEE SHEET 1	6-7-10	R.D.R.
A	SEE SHEET 1	9-11-12	RDR





**PCB LAYOUT**   
DIMENSIONS ARE FOR REFERENCE ONLY

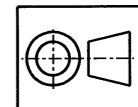
NOTES:

SIGNATURE & DATE	
DR	J. APOSTOL 01 APR 2010
CHK	R. J. [Signature] 09-11-12
PE	R. J. [Signature] 09-11-12
APPD	R. Reed 9-11-12
SCALE	NONE WT _____

PCB RECEPTACLE  
32 PIN  
SRK SERIES

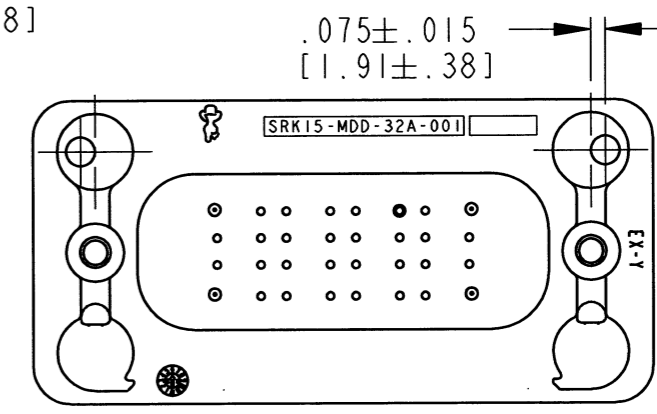
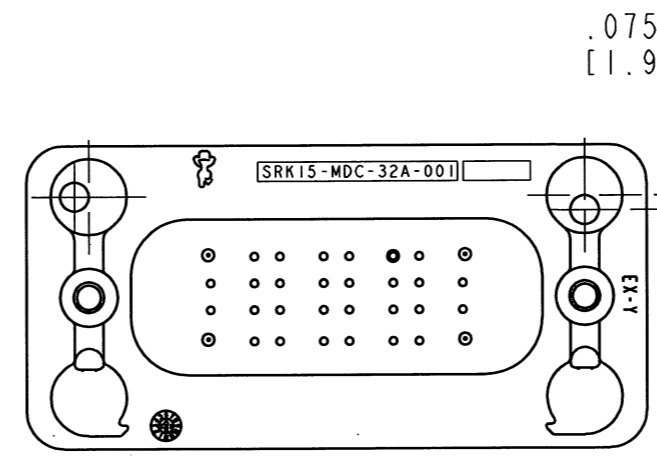
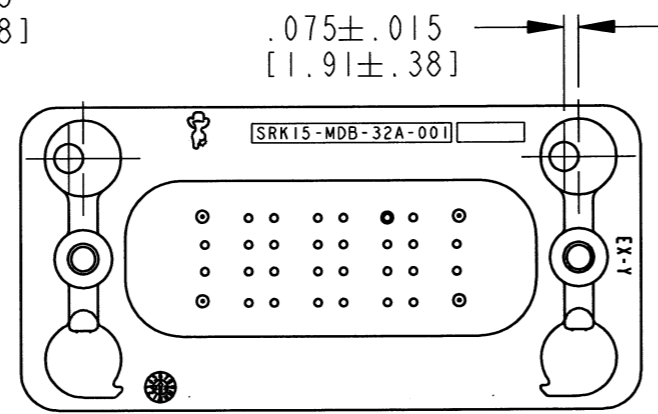
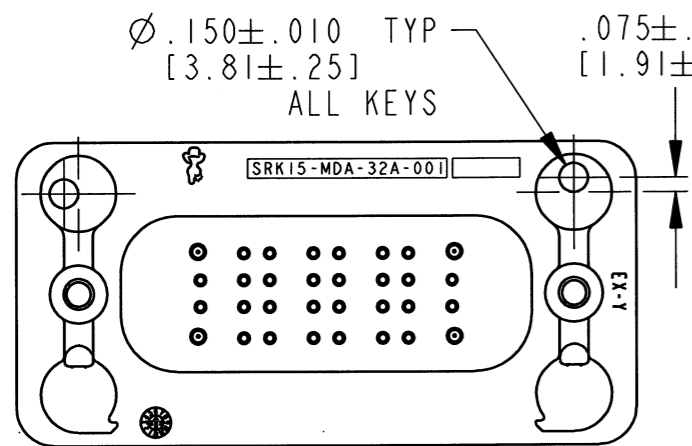
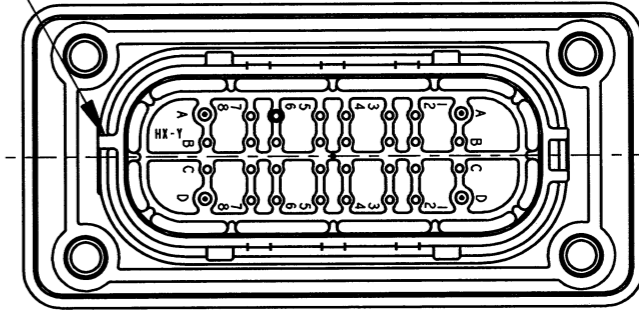
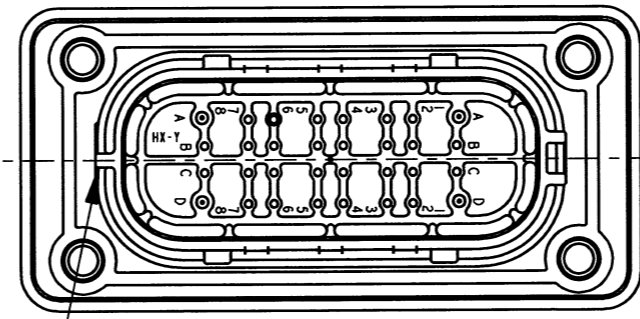
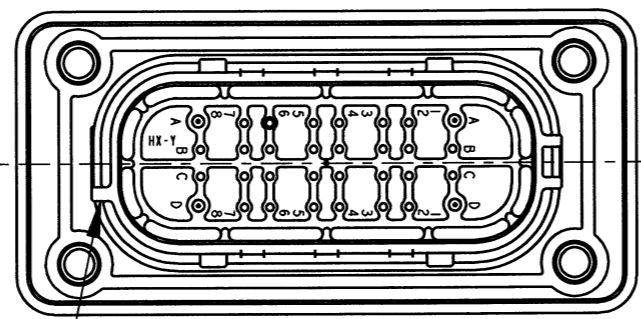
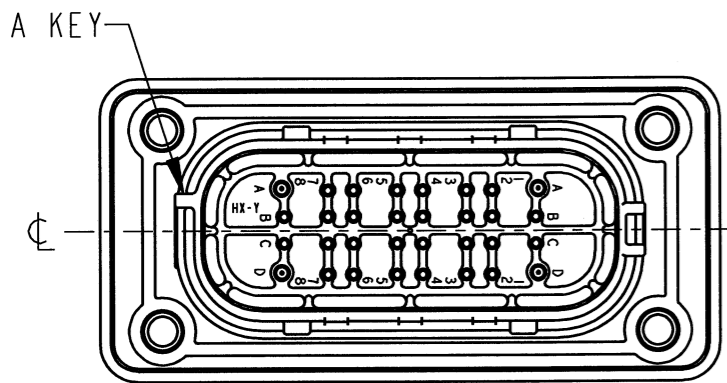
ENVELOPE

EP 194	MATL. CODE
 3850 INDUSTRIAL AVE. HEMET, CA 92545	
 <b>SRK15-MD*-32A-001</b>	
DWG SIZE	CODE 11139 SHEET 3 OF 6



REV  
A  
SRK15-MD\*-32A-001

REVISIONS			
SYM	DESCRIPTION	DATE	APPROVED
NC	SEE SHEET 1	6-7-10	R.D.R.
A	SEE SHEET 1	9-11-12	RDR



KEY ARRANGEMENT -A-  
SRK15-MDA-32A-001

KEY ARRANGEMENT -B-  
SRK15-MDB-32A-001

KEY ARRANGEMENT -C-  
SRK15-MDC-32A-001

KEY ARRANGEMENT -D-  
SRK15-MDD-32A-001

NOTES:

SIGNATURE & DATE	
DR	J. APOSTOL 01APR2010
CHK	R. Efforts... 09-11-12
PE	R. Efforts... 09-11-12
APPD	R. Reed 9-12-12
SCALE	NONE WT

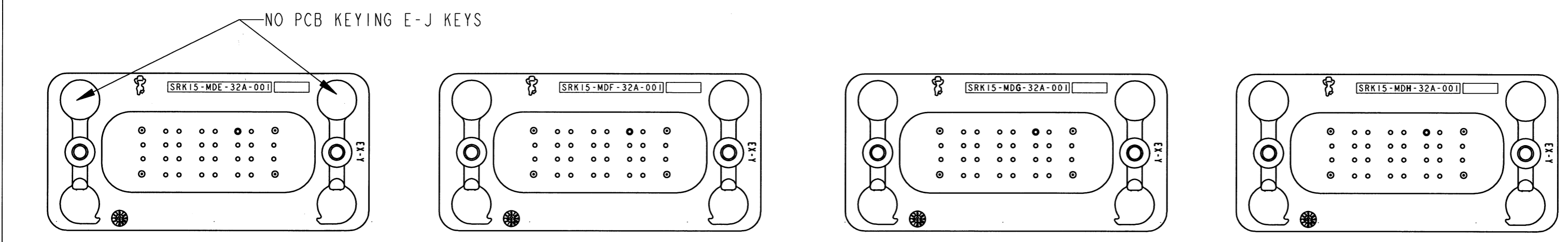
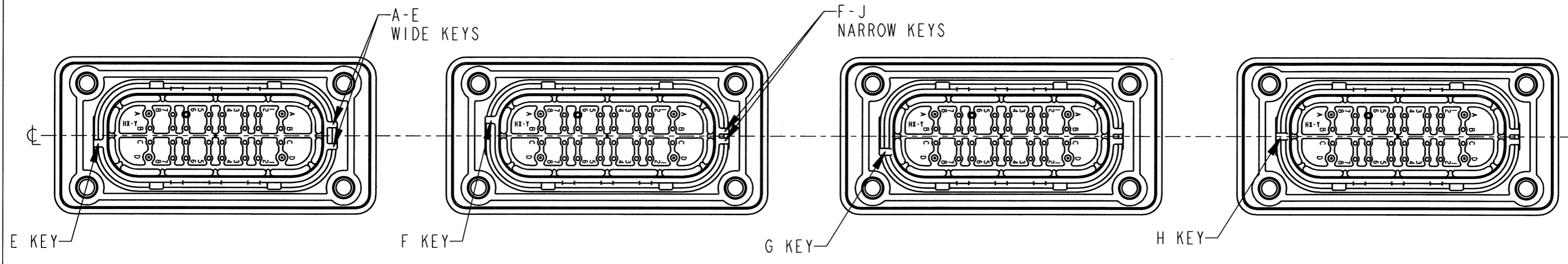
PCB RECEPTACLE  
32 PIN  
SRK SERIES

ENVELOPE

EP 194	MATL. CODE
3850 INDUSTRIAL AVE. HEMET, CA 92545	
<b>B</b> SRK15-MD*-32A-001	
DWG SIZE	CODE 11139 SHEET 4 OF 6

REV  
A  
SRK15-MD\*-32A-001

REVISIONS			
SYM	DESCRIPTION	DATE	APPROVED
NC	SEE SHEET 1	6-7-10	R.D.R.
A	SEE SHEET 1	9-11-12	ADR



KEY ARRANGEMENT -E-  
SRK15-MDE-32A-001

KEY ARRANGEMENT -F-  
SRK15-MDF-32A-001

KEY ARRANGEMENT -G-  
SRK15-MDG-32A-001


KEY ARRANGEMENT -H-  
SRK15-MDH-32A-001

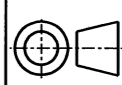
NOTES:

SIGNATURE & DATE	
DR	J. APOSTOL 01 APR 2010
CHK	R. Efforts... 09-11-12
PE	R. Efforts... 09-11-12
APPD	R. Rosen 9-11-12
SCALE	NONE WT _____

PCB RECEPTACLE  
32 PIN  
SRK SERIES

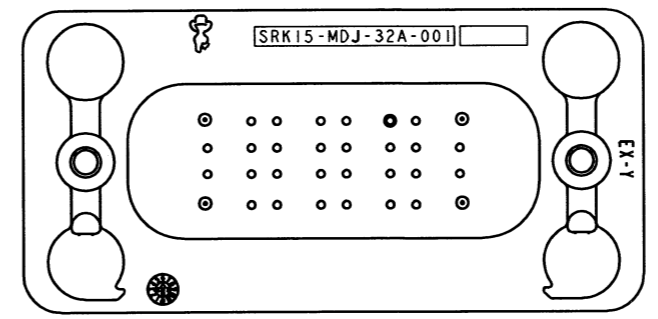
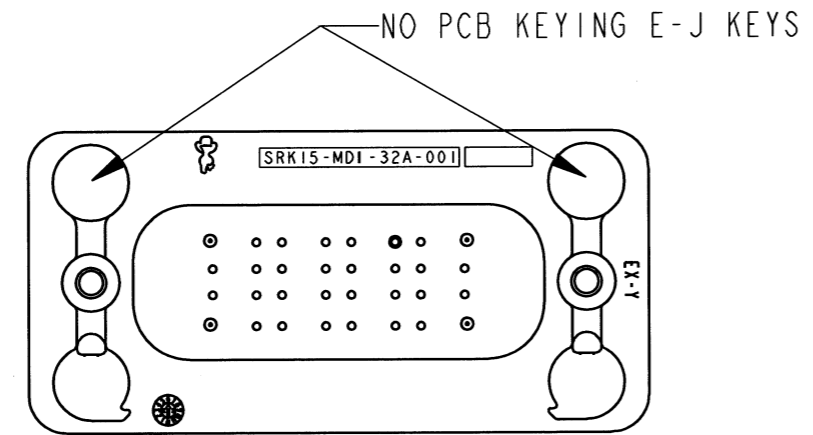
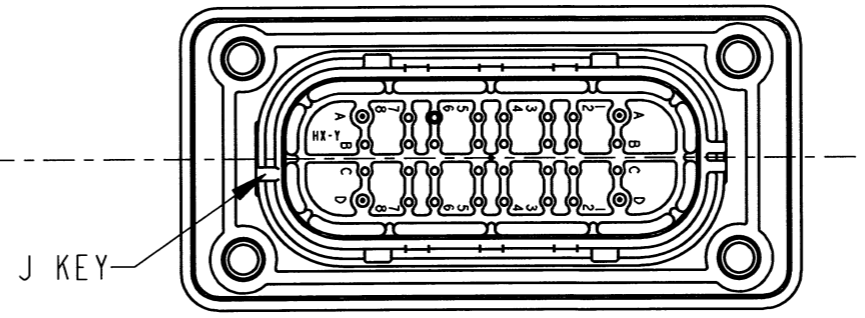
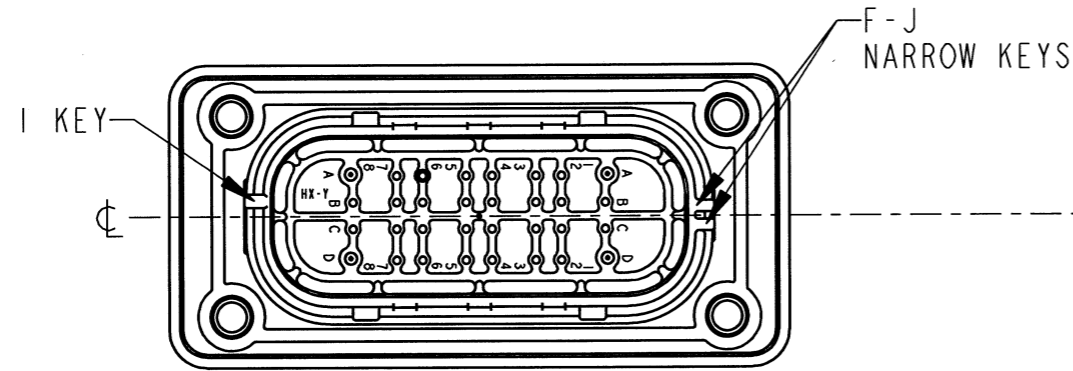
ENVELOPE

EP 194	MATL. CODE
 3850 INDUSTRIAL AVE. HEMET, CA 92545 <b>DEUTSCH</b> INDUSTRIAL	
<b>B</b> SRK15-MD*-32A-001	
DWG SIZE	CODE 11139 SHEET 5 OF 6



REV  
A  
SRK15-MD\*-32A-001

REVISIONS			
SYM	DESCRIPTION	DATE	APPROVED
NC	SEE SHEET 1	6-7-10	R.D.R.
A	SEE SHEET 1	9-11-12	ADR



KEY ARRANGEMENT -I-  
SRK15-MDI-32A-001

KEY ARRANGEMENT -J-  
SRK15-MDJ-32A-001

NOTES:

SIGNATURE & DATE	
DR	J. APOSTOL 01 APR 2010
CHK	R. Efforts... 09-11-12
PE	R. Efforts... 09-11-12
APPD	R. Reed 9-11-12
SCALE	NONE WT

PCB RECEPTACLE  
32 PIN  
SRK SERIES

ENVELOPE

EP 194	MATL. CODE
3850 INDUSTRIAL AVE. HEMET, CA 92545 <b>DEUTSCH</b> INDUSTRIAL	
<b>B SRK15-MD*-32A-001</b>	
DWG SIZE	CODE 11139 SHEET 6 OF 6

