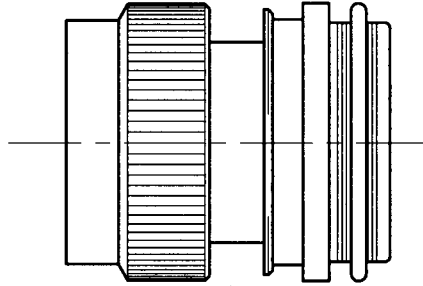


REVISIONS			
LTR	DESCRIPTION	DATE	APPROVED
N/C	INITIAL ISSUE	NOV 00	KJW



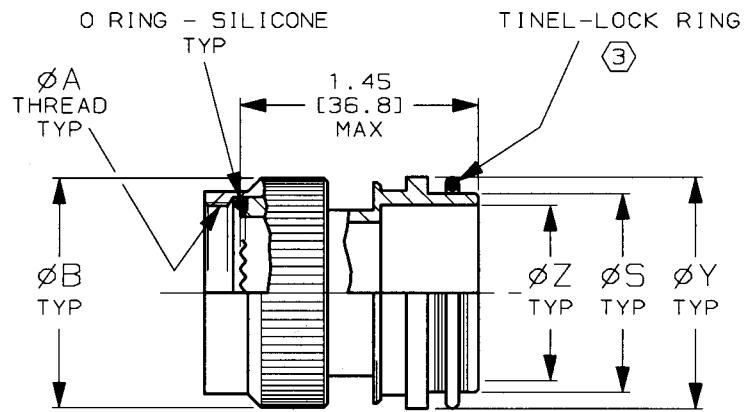
CODE 76 STXR TINEL-LOCK ADAPTOR

NOTES:

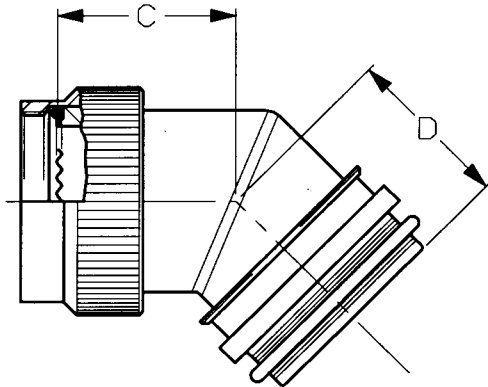
1. THIS PRODUCT IS DESIGNED TO TERMINATE A BRAIDED CABLE SHIELD AND A HEAT SHRINKABLE LIPPED BOOT TO A CONNECTOR - SEE NOTE 6.
2. SEE SHEETS 2 AND 3 FOR DIMENSIONS, AND SHEET 4 FOR PART NUMBERING SYSTEM AND ORDERING INFORMATION.
- ③ SEE DRAWING TR FOR DETAIL ON TINEL-LOCK RING. RINGS ARE DESIGNED TO BE HEATED ELECTRICALLY. ALL RINGS ARE MARKED WITH THERMOCHROMIC PAINT WHICH CHANGES COLOUR WHEN INSTALLATION TEMPERATURE IS REACHED.
- ④ ADAPTOR TO BE PERMANENTLY MARKED WITH CODE IDENTIFICATION NUMBER AND PART NUMBER LESS RING DESIGNATOR. (e.g. 06090-STXR76AB00-2018). RING SHALL BEAR NO MARKING.
- ⑤ TINEL-LOCK RING ENTRY SIZE AND BRAID DESIGNATOR IS TO BE SPECIFIED IN PART NUMBER WHEN ORDERING.
- ⑥ ADAPTOR MATES TO: BS9522 F0017 (PATT 105) CONNECTORS.
7. FOR MODIFICATIONS OR ALTERNATIVE MATERIALS AND FINISHES NOT SHOWN CONTACT TYCO.

SPECIFICATION CONTROL DRAWING

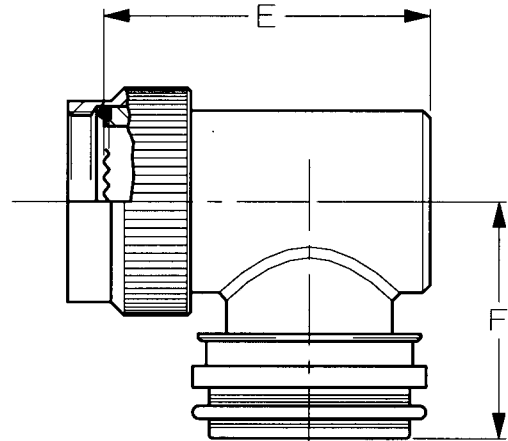
UNLESS OTHERWISE SPECIFIED DIMENSIONS ARE IN INCHES. METRIC DIMENSIONS ARE IN BRACKETS. DECIMALS .X ± --- [mm] .XX ± --- [mm] .XXX ± --- [mm] ANGLES .X ± ---	DRAWN IRT	DATE NOV 00	tyco /Electronics Raychem			
	APPROVED KJW	DATE NOV 00				
	APPROVED KJW	DATE NOV 00	TITLE			
	APPROVED	DATE	TINEL-LOCK™ ADAPTOR - "S" MOD.			
	CAD NAME 85051-STXR76		SIZE A	CODE IDENT. NO. 06090	DWG. NO. STXR76	REV N/C
	THIRD ANGLE PROJECTION		DO NOT SCALE THIS DWG		SHEET 1 OF 4	
			STXR76SCD-1			



STRAIGHT ADAPTOR



45° ADAPTOR



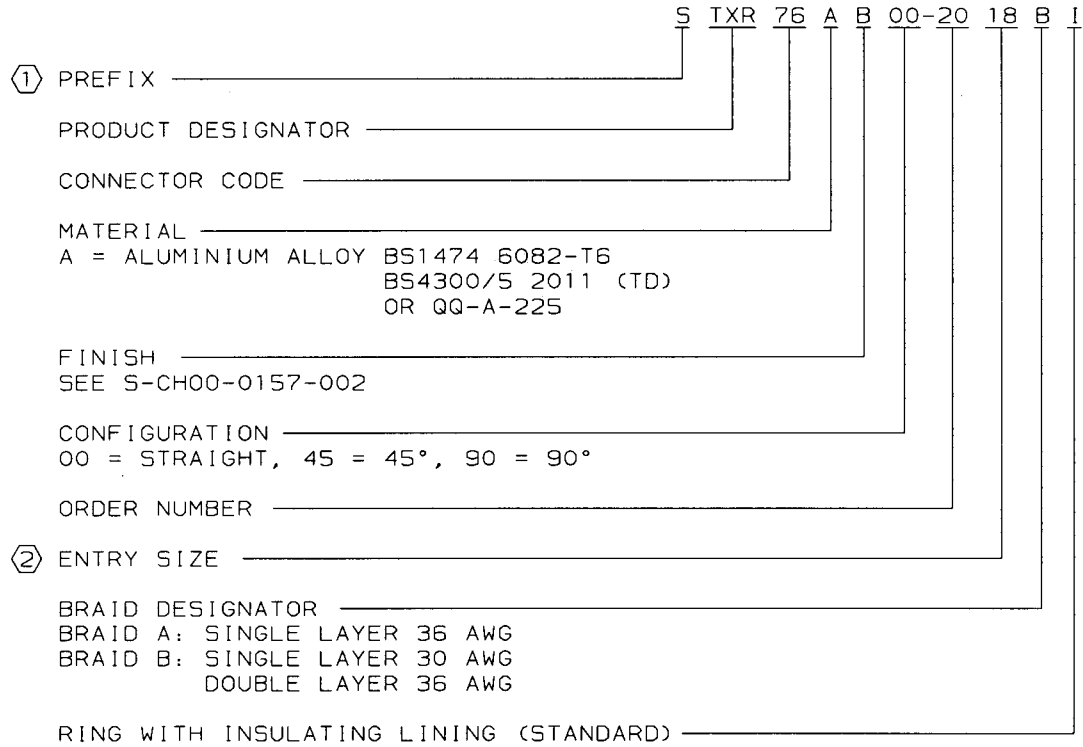
90° ADAPTOR

SIZE	CODE IDENT. NO.	DWG. NO.	REV
A	06090	STXR76	N/C
DO NOT SCALE THIS DWG		SHEET 2 OF 4	

ORDER NO.	SHELL SIZE	ENTRY SIZE		ØA RH CLASS 2B	ØB MAX	C MAX	D MAX	E MAX
		MIN	MAX					
08	08	05	24	0.4375"-28 UNEF	0.79 [20.1]	0.74 [18.8]	0.87 [22.1]	1.05 [26.7]
10	10	07	24	0.5625"-24 UNEF	0.91 [23.1]	0.76 [19.3]	0.90 [22.9]	1.11 [28.2]
12	12	10	24	0.6875"-24 UNEF	1.07 [27.2]	0.79 [20.1]	0.92 [23.4]	1.19 [30.2]
14	14	12	24	0.8125"-20 UNEF	1.19 [30.2]	0.82 [20.8]	0.95 [24.1]	1.25 [31.8]
16	16	14	24	0.9375"-20 UNEF	1.32 [33.5]	0.84 [21.3]	0.97 [24.6]	1.32 [33.5]
18	18	16	24	1.0625"-18 UNEF	1.44 [36.6]	0.87 [22.1]	1.00 [25.4]	1.38 [35.1]
20	20	18	24	1.1875"-18 UNEF	1.57 [39.9]	0.89 [22.6]	1.02 [25.9]	1.44 [36.6]
22	22	20	24	1.3125"-18 UNEF	1.69 [42.9]	0.92 [23.4]	1.05 [26.7]	1.50 [38.1]
24	24	20	24	1.4375"-18 UNEF	1.79 [45.5]	0.97 [24.6]	1.07 [27.2]	1.55 [39.4]

ENTRY SIZE	ØZ +.010 -.020 [+0.25] [-0.50]	ØS	ØY ±.015 [±0.38]	F MAX
05	.312 [7.92]	.438 [11.13] .432 [10.97]	.612 [15.54]	1.30 [33.0]
06	.375 [9.52]	.501 [12.73] .495 [12.57]	.675 [17.14]	1.32 [33.5]
07	.437 [11.09]	.563 [14.31] .556 [14.12]	.737 [18.71]	1.38 [35.0]
08	.500 [12.70]	.626 [15.91] .619 [15.72]	.800 [20.32]	1.50 [38.0]
10	.625 [15.87]	.752 [19.11] .742 [18.84]	.925 [23.49]	1.61 [41.0]
12	.750 [19.05]	.877 [22.28] .867 [22.02]	1.050 [26.67]	1.73 [44.0]
14	.875 [22.23]	1.002 [25.46] .991 [25.17]	1.175 [29.84]	1.85 [47.0]
16	1.000 [25.40]	1.127 [28.63] 1.116 [28.34]	1.300 [33.02]	2.01 [51.0]
18	1.125 [28.57]	1.252 [31.81] 1.241 [31.52]	1.425 [36.19]	2.13 [54.0]
20	1.250 [31.75]	1.377 [34.98] 1.366 [34.69]	1.550 [39.37]	2.13 [54.0]
22	1.375 [34.93]	1.502 [38.15] 1.488 [37.79]	1.675 [42.55]	2.13 [54.0]
24	1.500 [38.10]	1.627 [41.33] 1.613 [40.97]	1.800 [45.72]	2.13 [54.0]

SIZE	CODE IDENT. NO.	DWG. NO.	REV
A	06090	STXR76	N/C
DO NOT SCALE THIS DWG		SHEET 3 OF 4	

PART NUMBERING SYSTEMNOTE

① PREFIX S DENOTES THAT THE ADAPTOR HAS A LARGER ENTRY SIZE THAN THE STANDARD TXR RANGE BUT IS STILL OF THE TYPE I DESIGN.

② SEE SHEET 3 FOR TABLE OF ENTRY SIZES APPLICABLE TO THE STXR RANGE.

SIZE	CODE IDENT. NO.	DWG. NO.	REV
A	06090	STXR76	N/C
DO NOT SCALE THIS DWG		SHEET 4 OF 4	