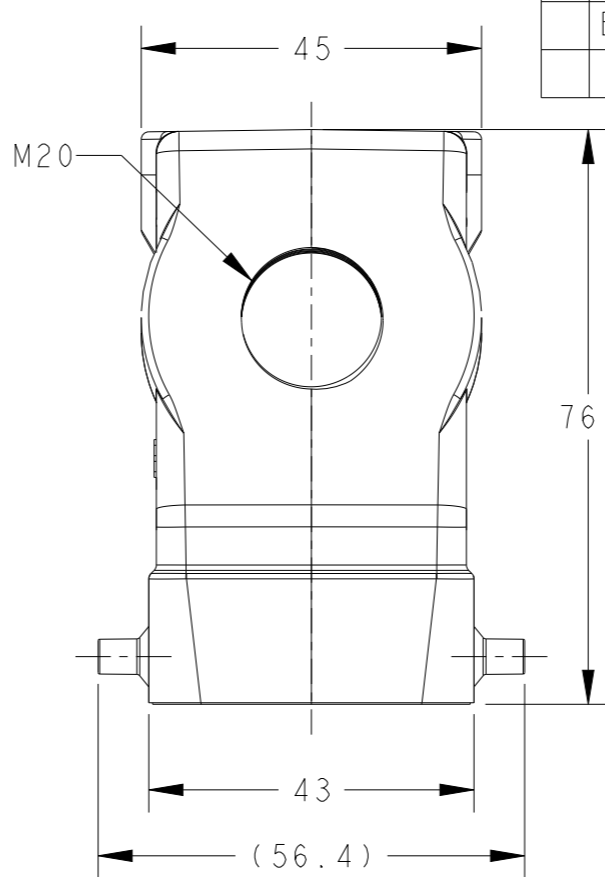
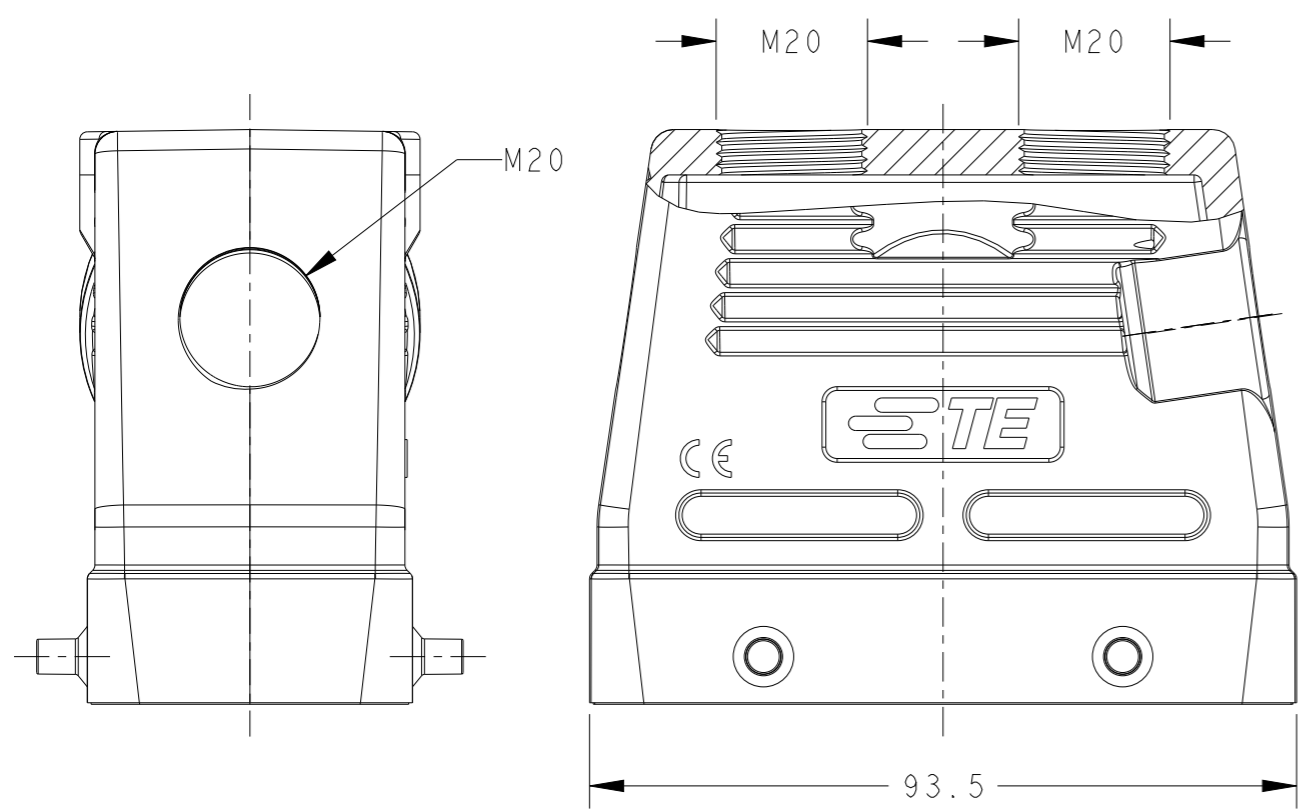
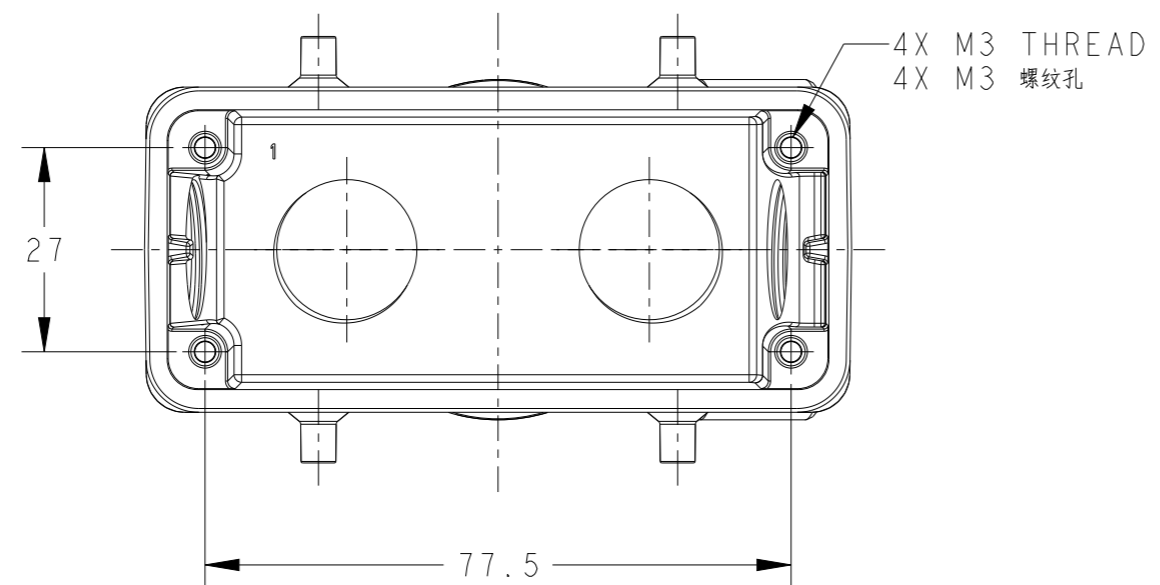
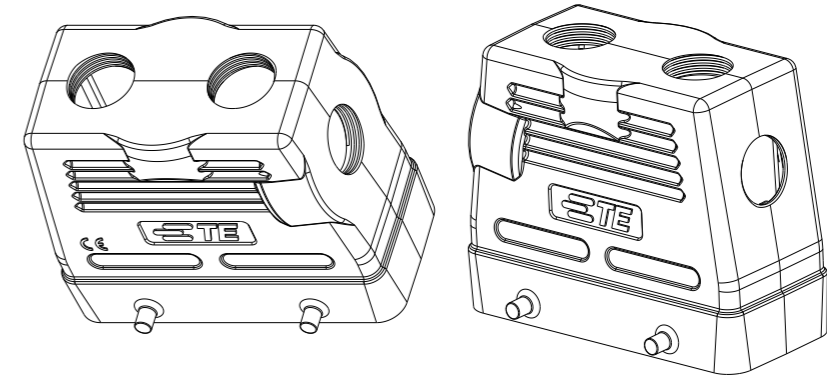


P	LTR	DESCRIPTION	DATE	DWN	APVD
	A	INITIAL	25MAY2015	DW	CW
	B	ECR-20-008190	31JUL2020	WQR	CW
	B1	ECR-21-105138	23JUN2021	WQR	CW



NOTES:
 1. TECHNICAL CHARACTERISTICS:
 HOOD MATERIAL: DIE CAST ALUMINIUM ALLOY
 SURFACE: POWDER COATED, GREY
 DEGREE OF PROTECTION: IP65 (MATED)

注释:
 1. 技术参数:
 上壳材料: 铝合金
 表面处理: 粉末涂层, 灰色
 防护等级: IP65(配合)



T1190162020-000	H16B-TGH/TSH-2M20/2M20	HIGH CONSTRUCTION
PART NUMBER	DESCRIPTION	TYPE

THIS DRAWING IS A CONTROLLED DOCUMENT.		DWN 25MAY2015 David Wang		STE TE Connectivity															
CHK 25MAY2015 Chris Wang		APVD 25MAY2015 Xiang Xu																	
DIMENSIONS: mm		TOLERANCES UNLESS OTHERWISE SPECIFIED:		NAME H16B-TGH/TSH-2M20/2M20															
<table border="1"> <tr><td>0 PLC</td><td>±-</td></tr> <tr><td>1 PLC</td><td>±-</td></tr> <tr><td>2 PLC</td><td>±-</td></tr> <tr><td>3 PLC</td><td>±-</td></tr> <tr><td>4 PLC</td><td>±-</td></tr> <tr><td>ANGLES</td><td>±-</td></tr> <tr><td>FINISH</td><td>±-</td></tr> </table>		0 PLC	±-	1 PLC	±-	2 PLC	±-	3 PLC	±-	4 PLC	±-	ANGLES	±-	FINISH	±-	PRODUCT SPEC 108-137013		DRAWING NO	
0 PLC	±-																		
1 PLC	±-																		
2 PLC	±-																		
3 PLC	±-																		
4 PLC	±-																		
ANGLES	±-																		
FINISH	±-																		
MATERIAL -		APPLICATION SPEC 114-137013		RESTRICTED TO															
		WEIGHT -		SIZE CAGE CODE DRAWING NO A3 00779 C-T1190162020000															
		Customer Drawing		SCALE 1:1 SHEET 1 OF 1 REV B1															