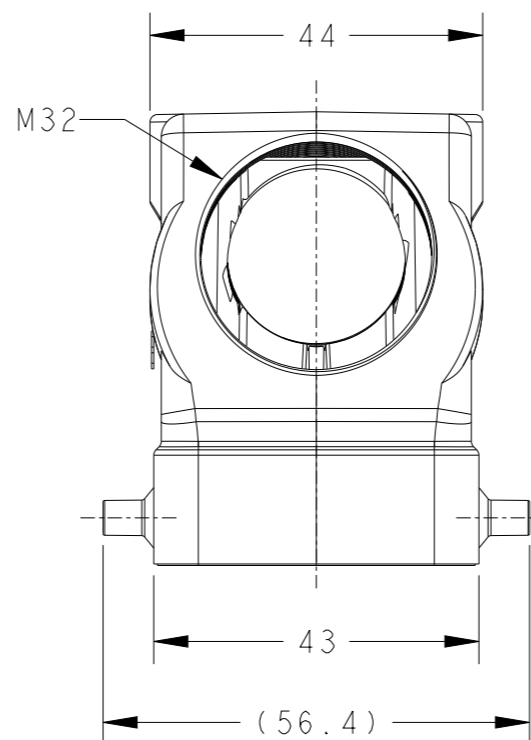
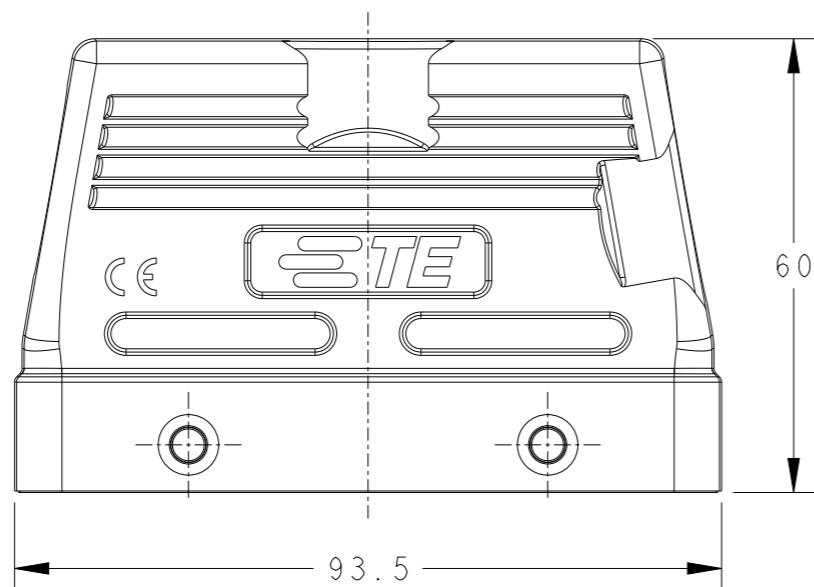
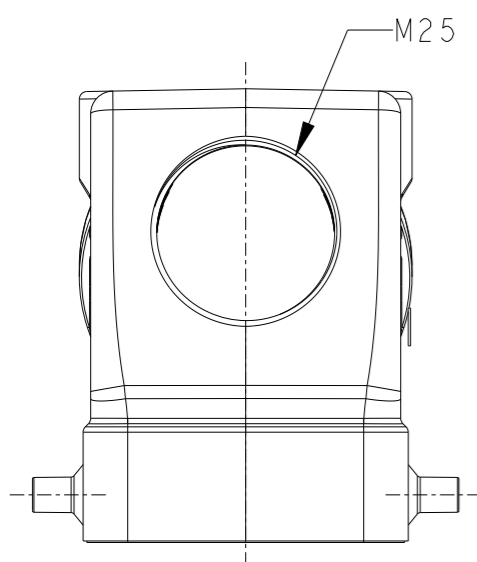


REVISIONS

P	LTR	DESCRIPTION	DATE	DWN	APVD
	A	INITIAL	25MAY2015	DW	CW
	B	ECR-20-008190	04AUG2020	WQR	CW
	B1	ECR-21-105138	23JUN2021	WQR	CW

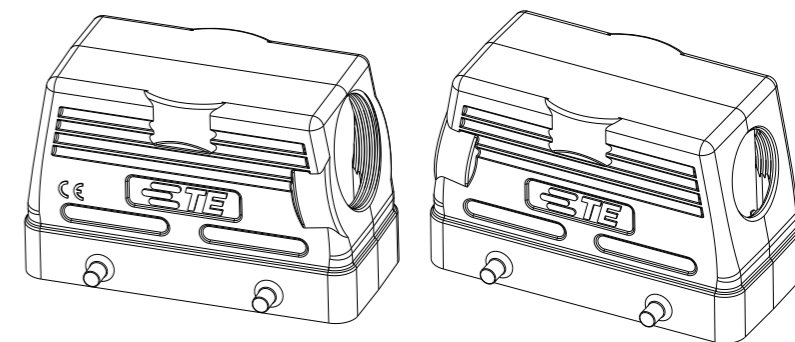
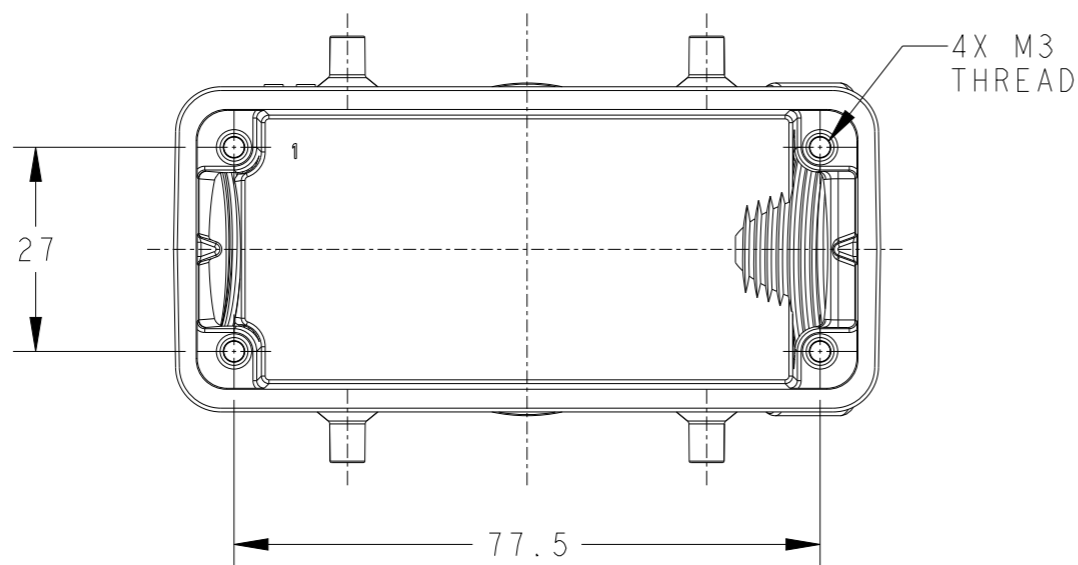


NOTES:

- 1. TECHNICAL CHARACTERISTICS:  
HOOD MATERIAL: DIE CAST ALUMINIUM ALLOY  
SURFACE: POWDER COATED, GREY  
DEGREE OF PROTECTION: IP65 (MATED)

注释:

- 1. 技术参数:  
上壳材料: 铝合金  
表面处理: 粉末涂层, 灰色  
防护等级: IP65(配合)



SCALE 1:2

THIS DRAWING IS A CONTROLLED DOCUMENT.

DIMENSIONS:	TOLERANCES UNLESS OTHERWISE SPECIFIED:
mm	
	0 PLC ±-
	1 PLC ±-
	2 PLC ±-
	3 PLC ±-
	4 PLC ±-
	ANGLES ±-
MATERIAL	FINISH
-	-
-	-

DWN	25MAY2015
David Wang	
CHK	25MAY2015
Chris Wang	
APVD	25MAY2015
Xiang Xu	
PRODUCT SPEC	108-137013
APPLICATION SPEC	114-137013
WEIGHT	-
Customer Drawing	

T1210162532-000	H16B-TS-M25/M32		
PART NUMBER	DESCRIPTION		
<b>STE</b> TE Connectivity			
NAME H16B-TS-M25/M32			
SIZE	CAGE CODE	DRAWING NO	RESTRICTED TO
A3	00779	©-T1210162532000	-
SCALE 1:1		SHEET 1 OF 1	REV B1