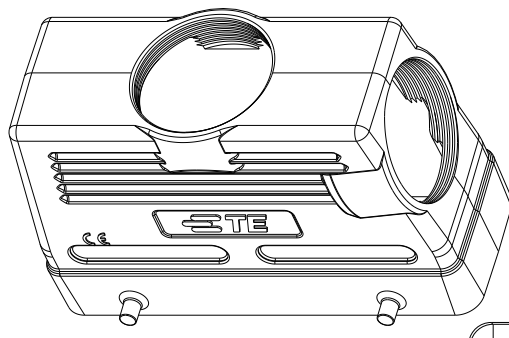


THIS DRAWING IS UNPUBLISHED. RELEASED FOR PUBLICATION 20

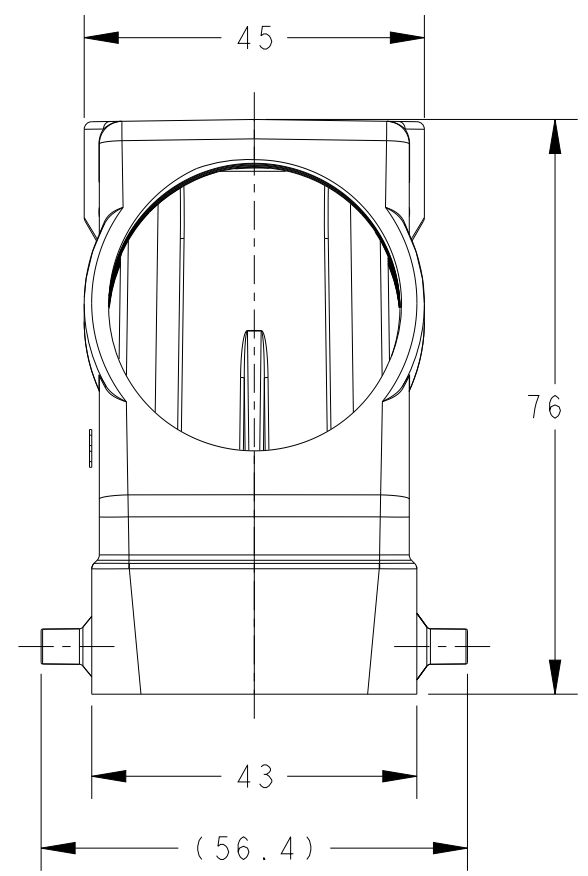
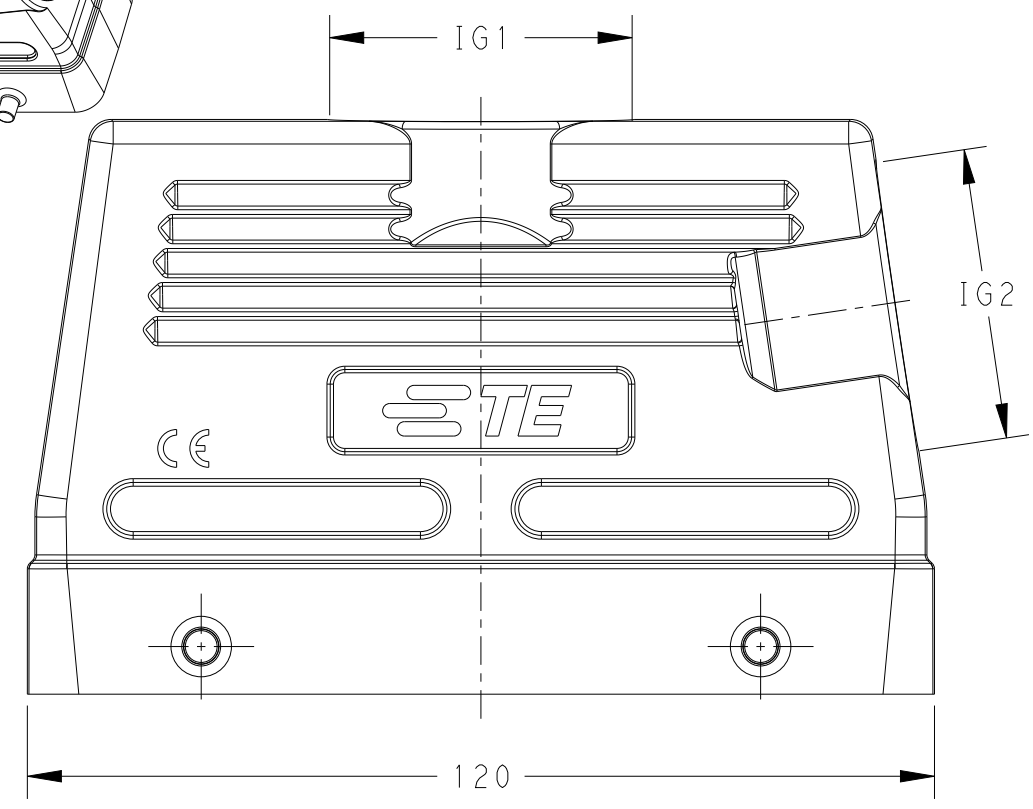
© COPYRIGHT 20 BY - ALL RIGHTS RESERVED.

REVISIONS

P	LTR	DESCRIPTION	DATE	DWN	APVD
	A	INITIAL	01JUN2015	DW	CW
	B	ECR-20-014876	26OCT2020	WQR	CW



SCALE 1:2

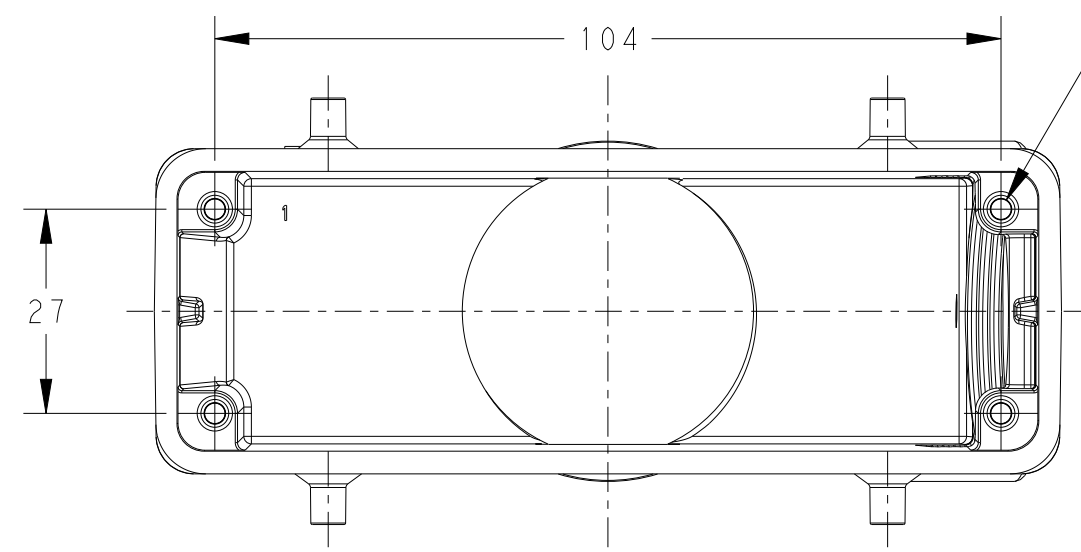


NOTES:

- 1. TECHNICAL CHARACTERISTICS:
HOOD MATERIAL: DIE CAST ALUMINIUM ALLOY
SURFACE: POWDER COATED, GREY
DEGREE OF PROTECTION: IP65 (MATED)

注释:

- 1. 技术参数:
上壳材料: 铝合金
表面处理: 粉末涂层, 灰色
防护等级: IP65(配合)



T1230240229-000	H24B-TGH/TSH-2PG29	HIGH CONSTRUCTION	PG29	PG29
T1230242525-000	H24B-TGH/TSH-2M25		M25	M25
T1230243232-000	H24B-TGH/TSH-M32/M32		M32	M32
T1230242532-000	H24B-TGH/TSH-M25/M32		M25	M32
T1230242540-000	H24B-TGH/TSH-M25/M40		M25	M40
T1230244020-000	H24B-TGH/TSH-M40/M20		M40	M20
T1230244025-000	H24B-TGH/TSH-M40/M25		M40	M25
T1230244040-000	H24B-TGH/TSH-M40/M40		M40	M40
PART NUMBER	DESCRIPTION	TYPE	IG1	IG2

THIS DRAWING IS A CONTROLLED DOCUMENT.

DIMENSIONS:	TOLERANCES UNLESS OTHERWISE SPECIFIED:
mm	
	0 PLC ±-
	1 PLC ±-
	2 PLC ±-
	3 PLC ±-
	4 PLC ±-
	ANGLES ±-
MATERIAL	FINISH
-	-
-	-

DWN	01JUN2015
David Wang	
CHK	01JUN2015
Chris Wang	
APVD	01JUN2015
Xiang Xu	
PRODUCT SPEC	108-137013
APPLICATION SPEC	114-137013
WEIGHT	-
Customer Drawing	



NAME		H24B-TGH/TSH-2 M/PG	
SIZE	CAGE CODE	DRAWING NO	RESTRICTED TO
A3	00779	©-T123024XXXX000	-
SCALE	SHEET	OF	REV
1:1	1	1	B