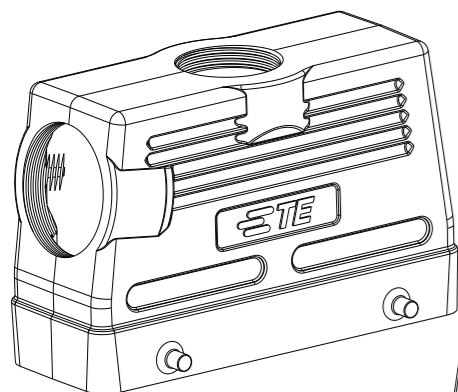
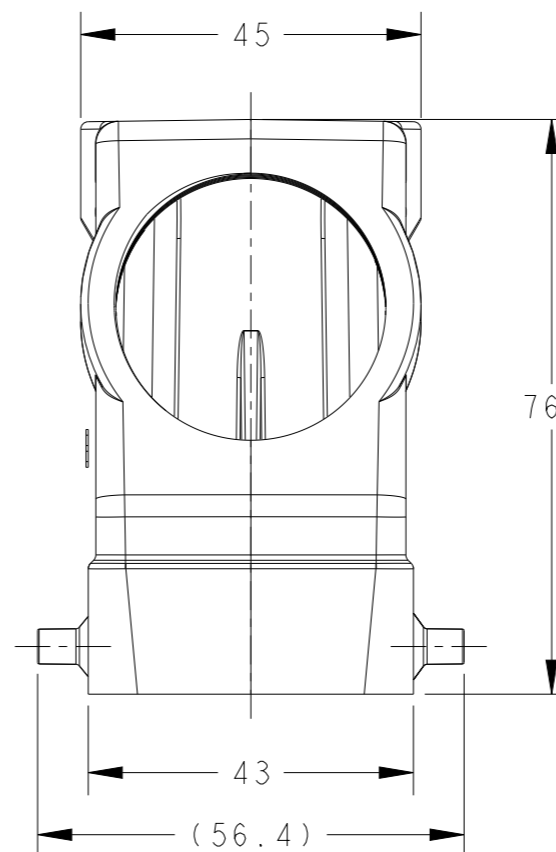
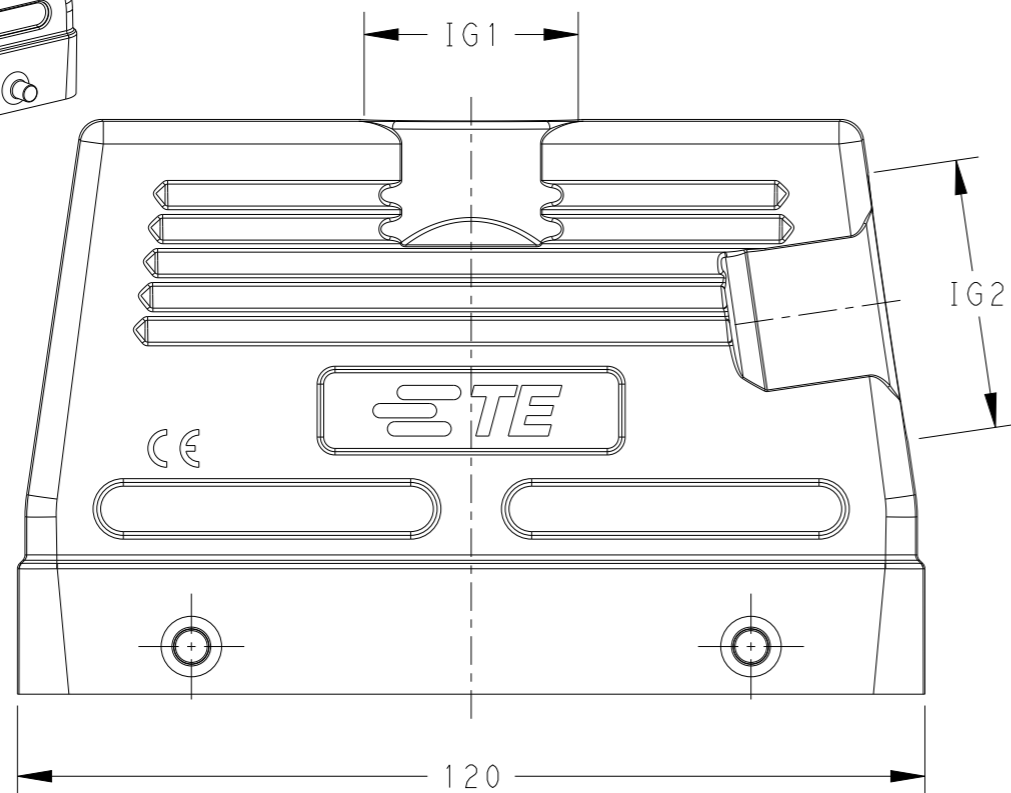


P	LTR	DESCRIPTION	DATE	DWN	APVD
	A	INITIAL	01JUN2015	DW	CW
	B	ECR-20-014876	04NOV2020	WQR	CW

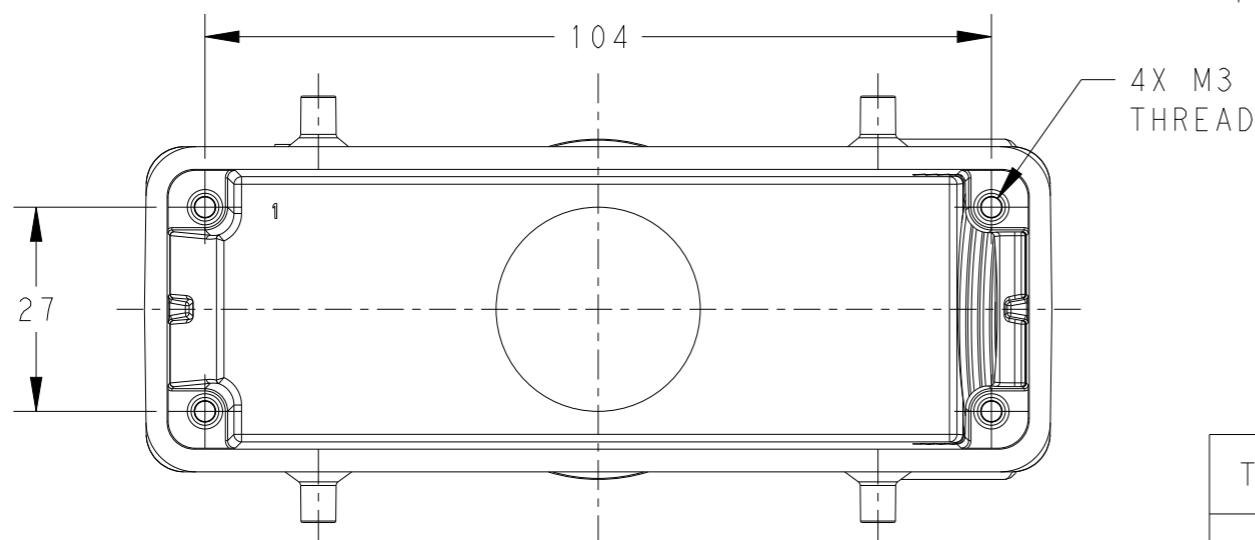


SCALE 1:2




NOTES:
 1. TECHNICAL CHARACTERISTICS:
 HOOD MATERIAL: DIE CAST ALUMINIUM ALLOY
 SURFACE: POWDER COATED, GREY
 DEGREE OF PROTECTION: IP65 (MATED)

注释:
 1. 技术参数:
 上壳材料: 铝合金
 表面处理: 粉末涂层, 灰色
 防护等级: IP65(配合)



T1240242129-000	H24B-TGH-PG21/TSH-PG29	HIGH CONSTRUCTION	PG21	PG29
PART NUMBER	DESCRIPTION	TYPE	IG1	IG2

THIS DRAWING IS A CONTROLLED DOCUMENT.		DWN 01JUN2015 David Wang	 TE Connectivity NAME H24B-TGH-PG21/TSH-PG29		
DIMENSIONS: mm		CHK 01JUN2015 Chris Wang			
TOLERANCES UNLESS OTHERWISE SPECIFIED:		APVD 01JUN2015 Xiang Xu			
0 PLC ±- 1 PLC ±- 2 PLC ±- 3 PLC ±- 4 PLC ±- ANGLES ±- FINISH -		PRODUCT SPEC 108-137013			
MATERIAL -		APPLICATION SPEC 114-137013	SIZE A3	CAGE CODE 00779	DRAWING NO. T1240242129000
		WEIGHT -	RESTRICTED TO -		SCALE 1:1
		Customer Drawing	SHEET 1 OF 1		REV B