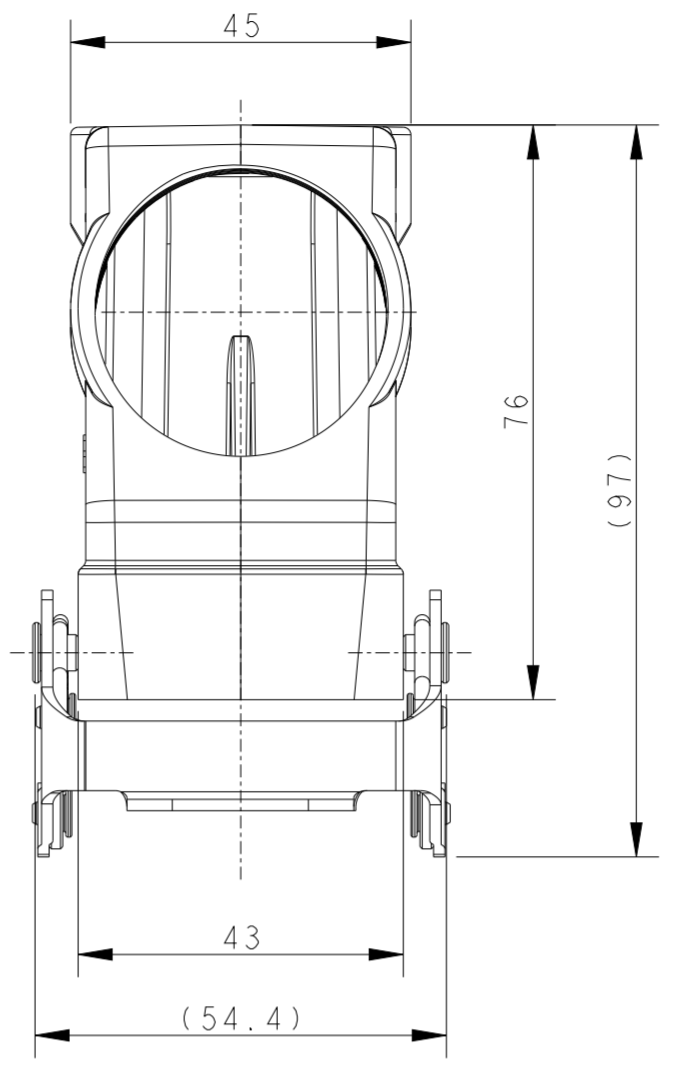
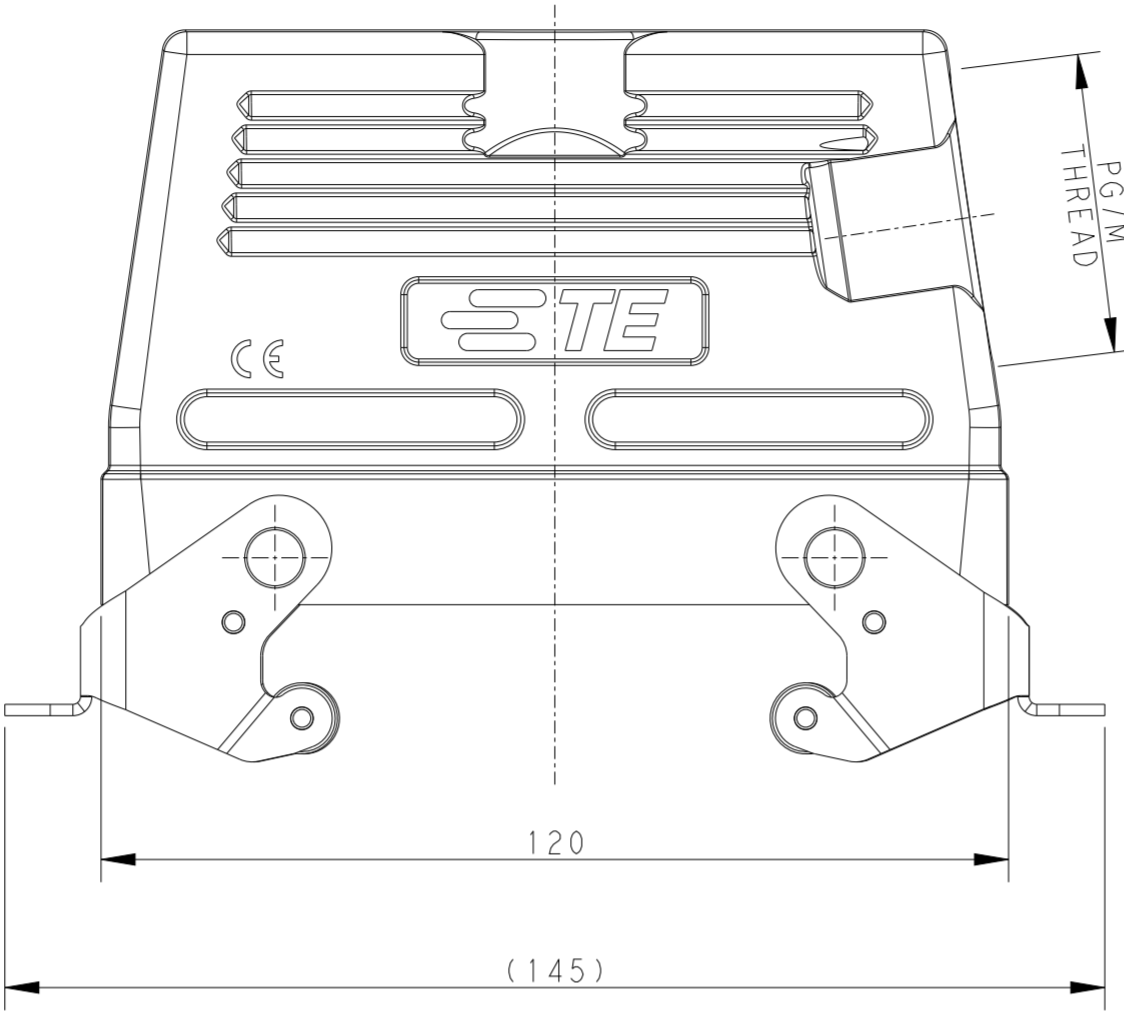
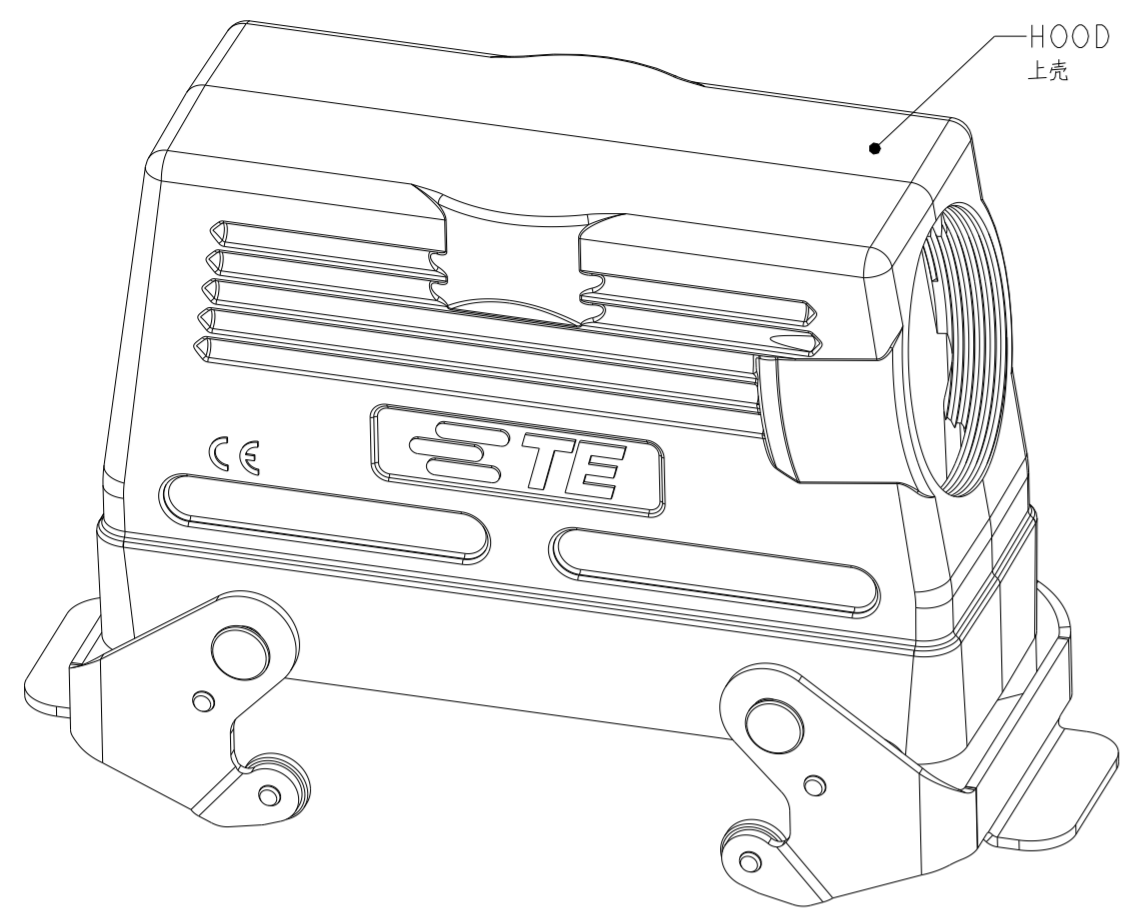


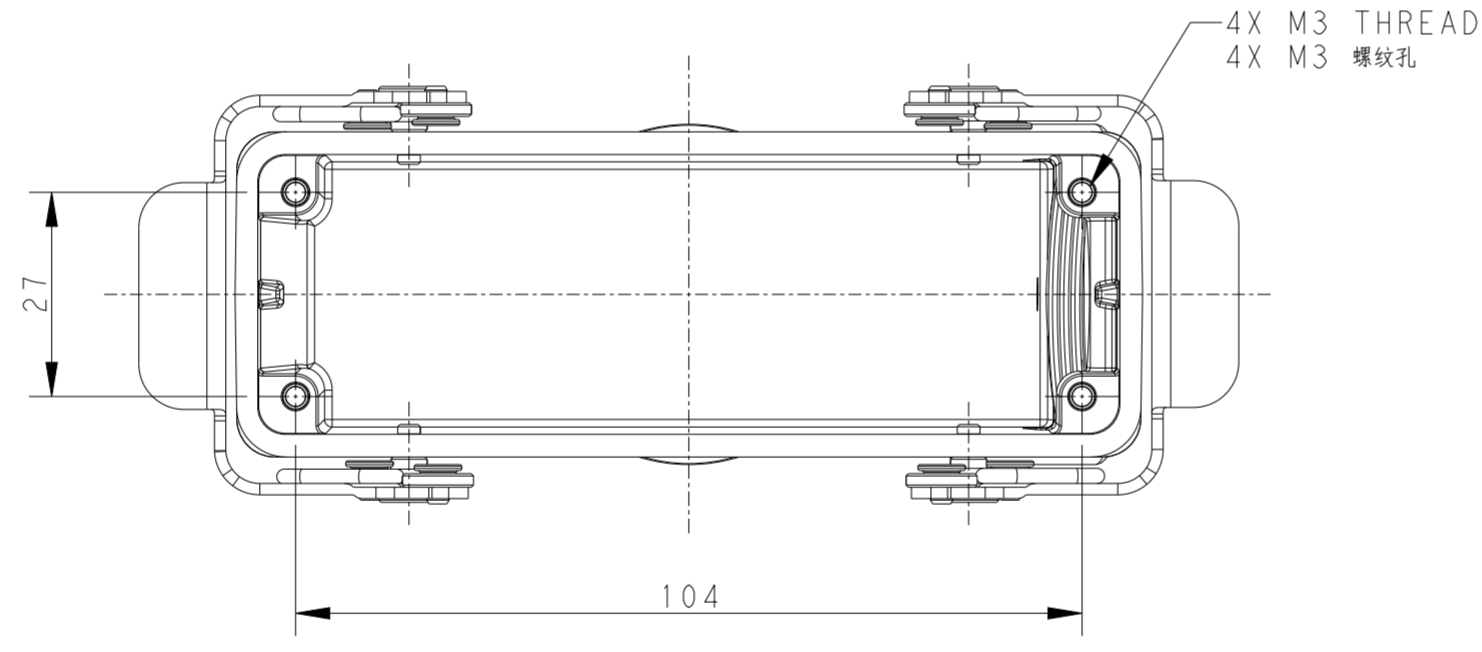
THIS DRAWING IS UNPUBLISHED. RELEASED FOR PUBLICATION 20
 © COPYRIGHT 20 BY - ALL RIGHTS RESERVED.

REVISIONS					
P	LTR	DESCRIPTION	DATE	DWN	APVD
A1		ECR-15-010519	20JUN2015	DW	CW
A2		ECR-16-010326	07JUL2016	DW	CW
A3		ECR-16-018349	30DEC2016	DW	CW
B		ECR-21-108563	28JUL2021	WOR	CW



NOTES:
 1. TECHNICAL CHARACTERISTICS:
 HOOD MATERIAL: DIE CAST ALUMINIUM ALLOY
 HOOD SURFACE: CONDUCTIVE PAINTING
 HOOD SURFACE COLOR: TRANSPARENCY
 HOOD RESISTANCE: ≤10 mΩ
 DEGREE OF PROTECTION: IP65 (MATED)

注释:
 1. 技术参数:
 上壳材料: 铝合金
 上壳表面处理: 导电喷漆
 上壳表面处理颜色: 透明
 上壳电阻: ≤10 mΩ
 防护等级: IP65(配合)



T1270245121-000	H24B-TSBHS-EMC-PG21	H24B EMC HOOD, SIDE ENTRY PG21, STAINLESS STEEL DOUBLE LOCKING, HIGH CONSTRUCTION H24B屏蔽上壳, 侧出PG21, 不锈钢双扣, 高结构	PG21
T1270245129-000	H24B-TSBHS-EMC-PG29	H24B EMC HOOD, SIDE ENTRY PG29, STAINLESS STEEL DOUBLE LOCKING, HIGH CONSTRUCTION H24B屏蔽上壳, 侧出PG29, 不锈钢双扣, 高结构	PG29
T1270245125-000	H24B-TSBHS-EMC-M25	H24B EMC HOOD, SIDE ENTRY M25, STAINLESS STEEL DOUBLE LOCKING, HIGH CONSTRUCTION H24B屏蔽上壳, 侧出M25, 不锈钢双扣, 高结构	M25
T1270245132-000	H24B-TSBHS-EMC-M32	H24B EMC HOOD, SIDE ENTRY M32, STAINLESS STEEL DOUBLE LOCKING, HIGH CONSTRUCTION H24B屏蔽上壳, 侧出M32, 不锈钢双扣, 高结构	M32
T1270245140-000	H24B-TSBHS-EMC-M40	H24B EMC HOOD, SIDE ENTRY M40, STAINLESS STEEL DOUBLE LOCKING, HIGH CONSTRUCTION H24B屏蔽上壳, 侧出M40, 不锈钢双扣, 高结构	M40
PART NUMBER 零件料号		PART DESCRIPTION 零件描述	PG/M THREAD PG/M 螺纹孔

THIS DRAWING IS A CONTROLLED DOCUMENT.

DWN	DAVID WANG	10JUL2014
CHK	CHRIS WANG	10JUL2014
APVD	XIANG XU	10JUL2014

NAME: H24B-TSBHS-EMC-PG/M

PRODUCT SPEC: 108-137016

APPLICATION SPEC: 114-137016

WEIGHT: -

Customer Drawing

SCALE: 1:1 SHEET 1 OF 1 REV B

RESTRICTED TO: -