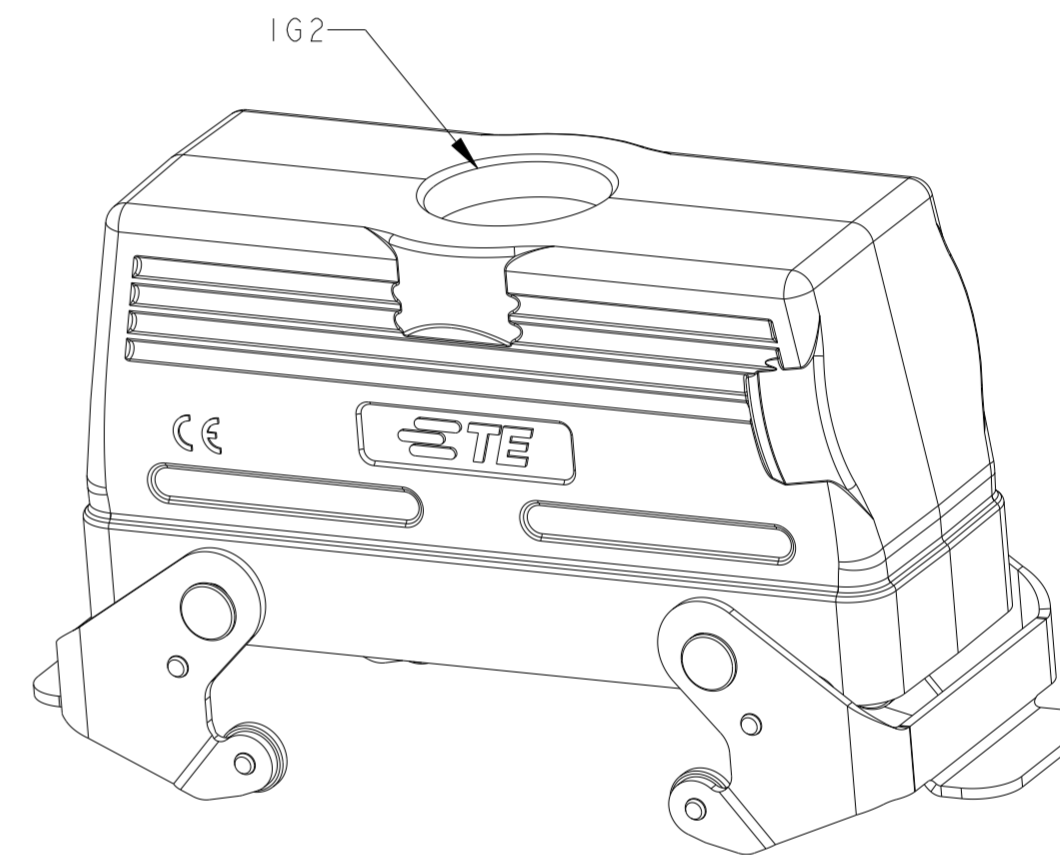
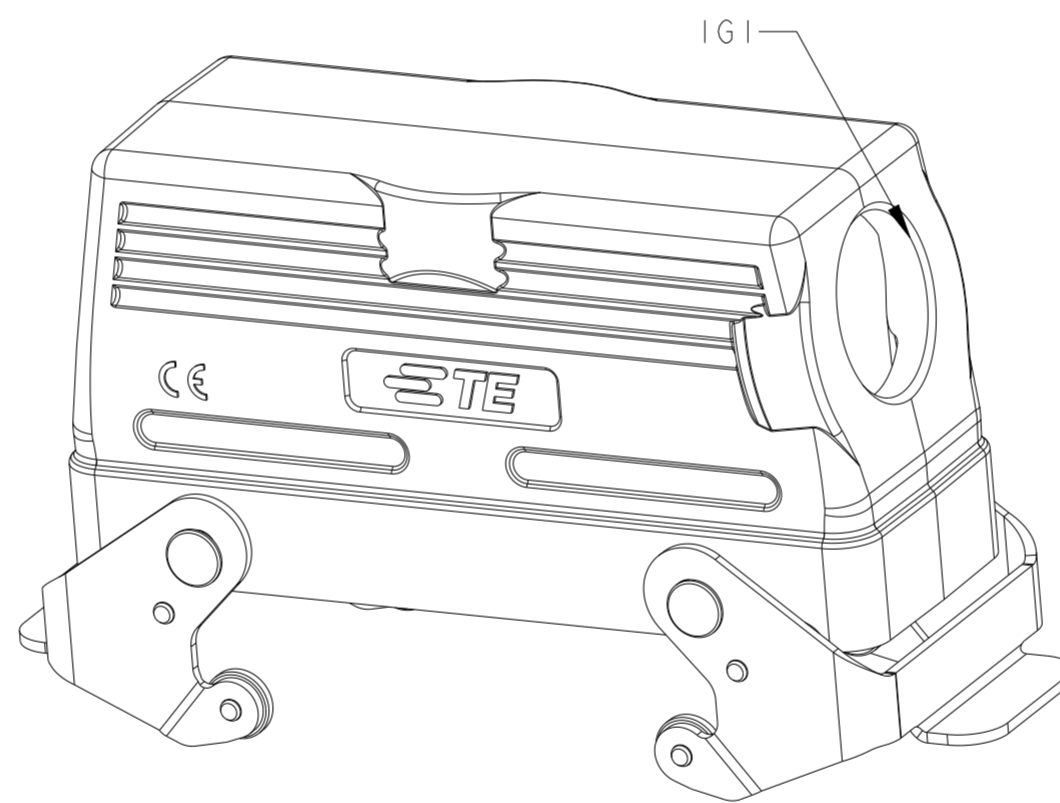
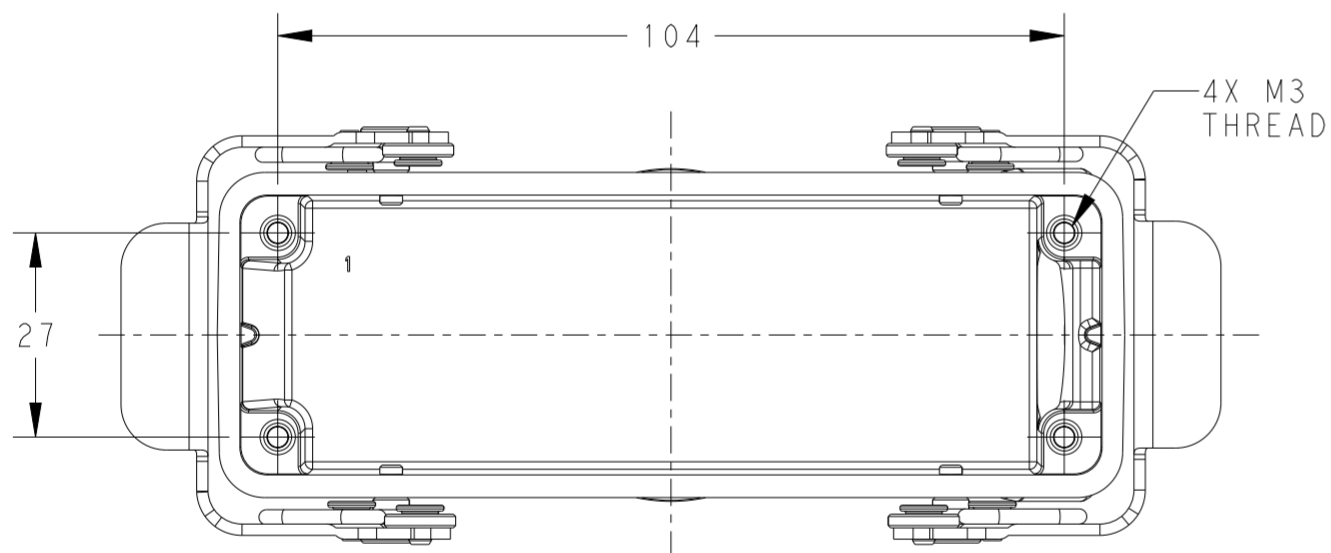
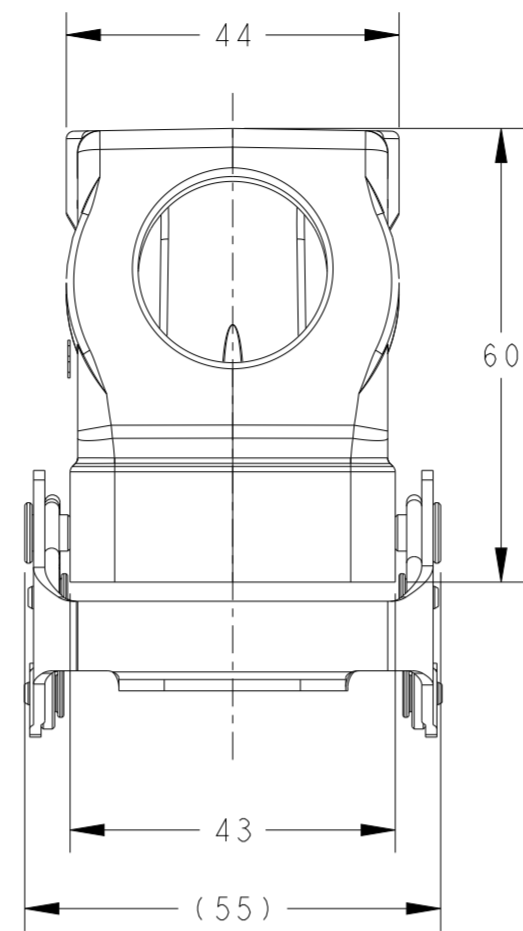
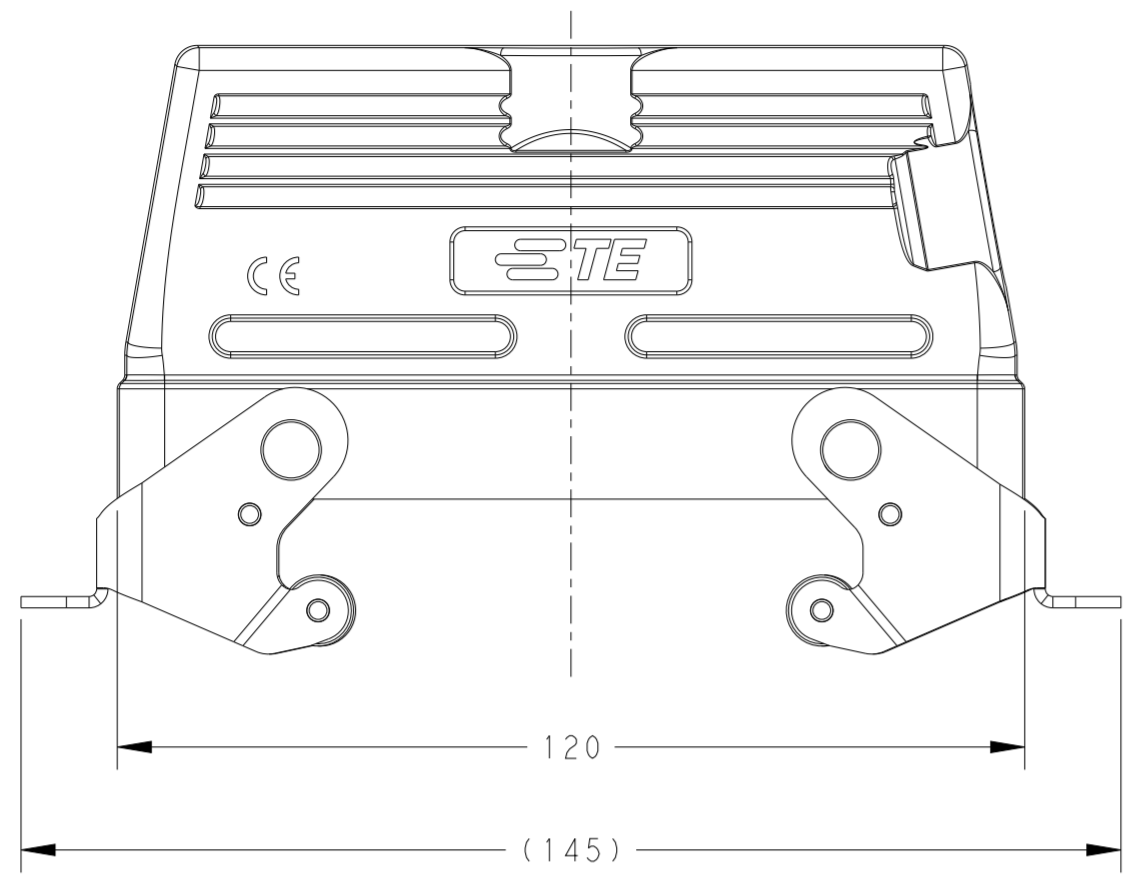


THIS DRAWING IS UNPUBLISHED. RELEASED FOR PUBLICATION 20
 © COPYRIGHT 20 BY - ALL RIGHTS RESERVED.

REVISIONS				
P	LTR	DESCRIPTION	DATE	APVD
A		INITIAL	06JUN2015	DW CW
B		ECR-20-014876	06NOV2020	WOR CW

NOTES:
 1. TECHNICAL CHARACTERISTICS:
 HOOD MATERIAL: DIE CAST ALUMINIUM ALLOY
 SURFACE: POWDER COATED, GREY
 DEGREE OF PROTECTION: IP65 (MATED)

注释:
 1. 技术参数:
 上壳材料: 铝合金
 表面处理: 粉末涂层, 灰色
 防护等级: IP65(配合)



TYPE 1: LOW CONSTRUCTION, SIDE ENTRY WITH STAINLESS STEEL LOCKING

TYPE 2: LOW CONSTRUCTION, TOP ENTRY WITH STAINLESS STEEL LOCKING
 OTHER SPEC REFER TO TYPE 1

PART NUMBER	TYPE	DESCRIPTION	IG1	IG2
T1250243121-000	TYPE 1	H24B-TSBS-PG21	PG21	-
T1250243125-000		H24B-TSBS-M25	M25	-
T1250243132-000		H24B-TSBS-M32	M32	-
T1260243121-000	TYPE 2	H24B-TGBS-PG21	-	PG21
T1260243125-000		H24B-TGBS-M25	-	M25
T1260243129-000		H24B-TGBS-PG29	-	PG29
T1260243132-000		H24B-TGBS-M32	-	M32

THIS DRAWING IS A CONTROLLED DOCUMENT.

DWN: David Wang 06JUN2015
 CHK: Chris Wang 06JUN2015
 APVD: Xiang Xu 06JUN2015

TE Connectivity

NAME: H24B-TSBS/TGBS-M/PG

PRODUCT SPEC: 108-137013
 APPLICATION SPEC: 114-137013

MATERIAL: -
 DIMENSIONS: mm
 TOLERANCES UNLESS OTHERWISE SPECIFIED:
 0 PLC ±
 1 PLC ±
 2 PLC ±
 3 PLC ±
 4 PLC ±
 ANGLES ±
 FINISH -

Customer Drawing

SIZE: A2
 CAGE CODE: 00779
 DRAWING NO: T12X02431XXX00
 RESTRICTED TO: -

SCALE: 1:1
 SHEET: 1 OF 1
 REV: B