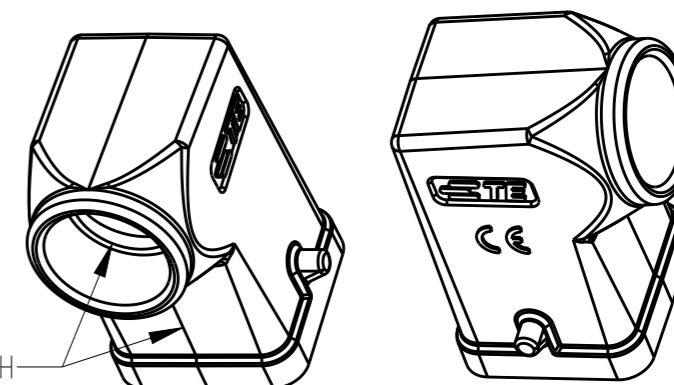
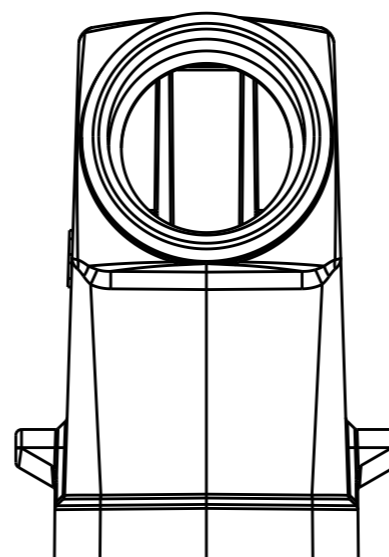
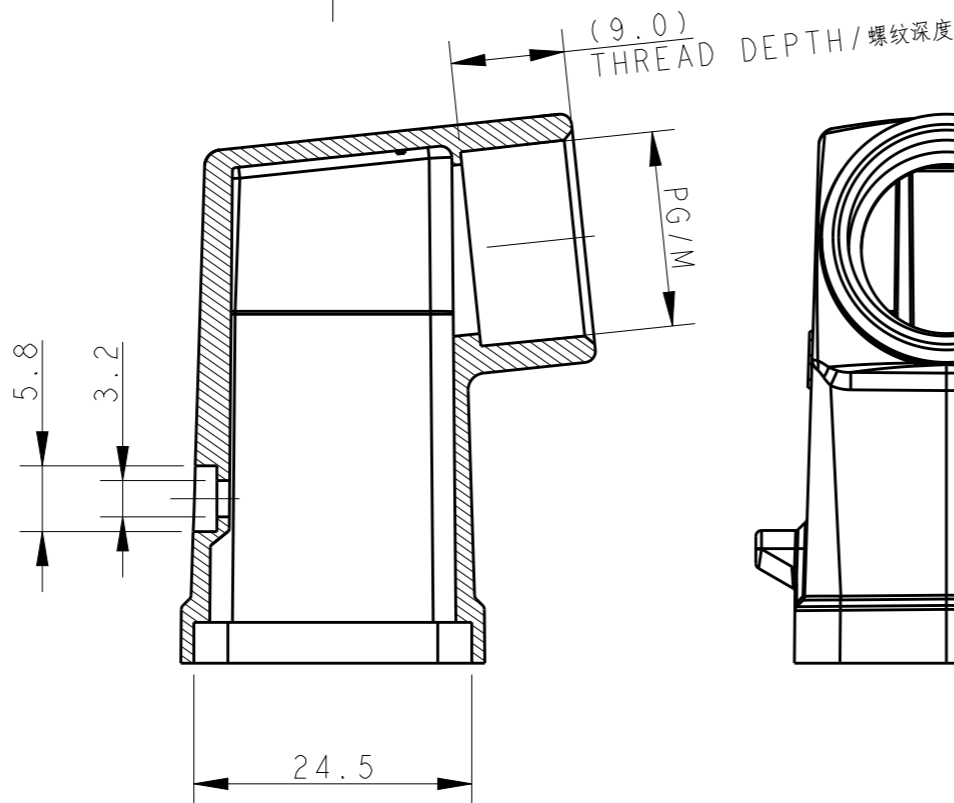
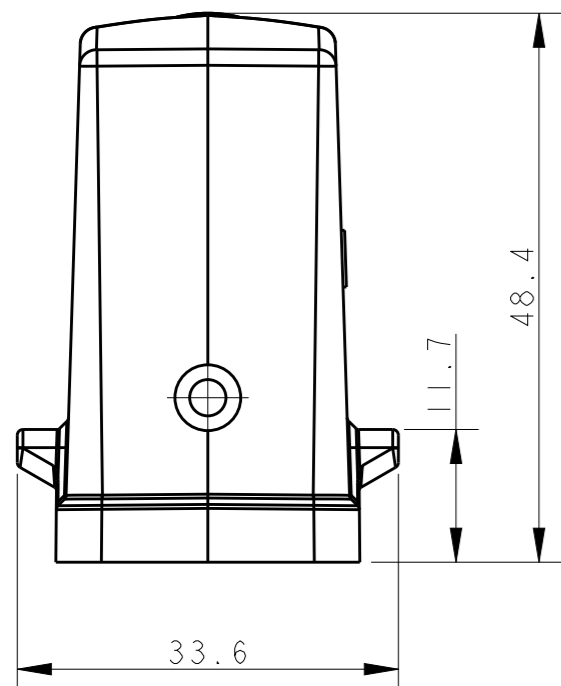
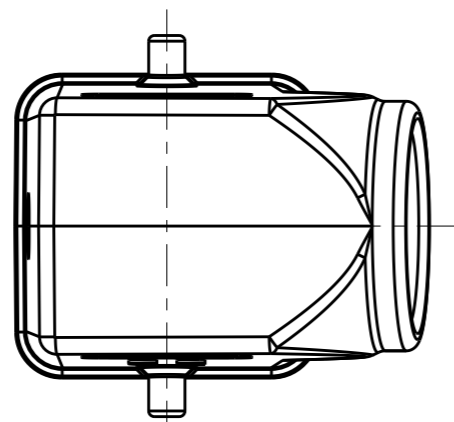


REVISIONS

P	LTR	DESCRIPTION	DATE	DWN	APVD
	A	INITIAL RELEASE	21APR2015	DL	CW
	A1	ECR-17-009215	24JUN2017	OY	CW
	B	ECR-20-007762	23NOV2020	BS	CW



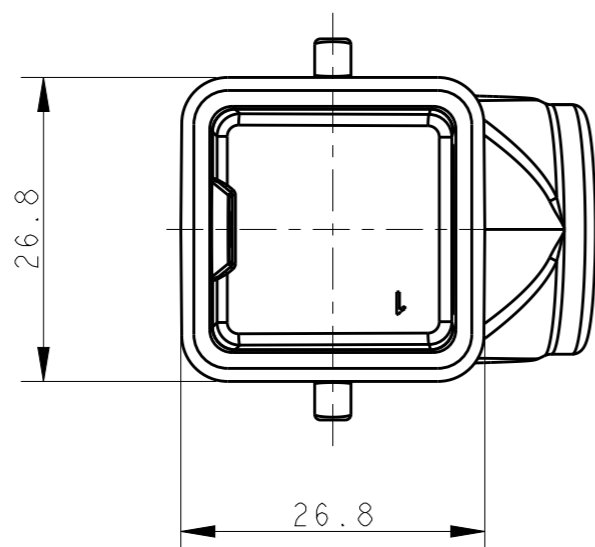
POWDER-COATED BOTH INSIDE AND OUTSIDE
里外喷涂

NOTES:


- TECHNICAL CHARACTERISTICS:
BODY MATERIAL: DIE CAST ZINC ALLOY
SURFACE TREATMENT: POWDER-COATED, GRAY
DEGREE OF PROTECTION: IP65 (MATED)

注释:

- 技术参数:
主体材料: 锌合金
表面处理: 粉末喷涂, 灰色
防护等级: IP65(配合)



T1319034111-000	H3A-MTS-PG11	H3A HOOD, SIDE ENTRY PG11, 2 EAR, POWDER COATED WITH INSIDE AND OUTSIDE, GREY H3A上壳, 侧出PG11, 2耳, 灰色粉末里外喷涂	PG11
PART NUMBER 料号	PART DESCRIPTION 描述		PG/M

THIS DRAWING IS A CONTROLLED DOCUMENT.		DWN 21APR2015 DAVID LI	 TE Connectivity	
DIMENSIONS: mm		CHK 21APR2015 CHRIS WANG		
TOLERANCES UNLESS OTHERWISE SPECIFIED:		APVD 21APR2015 XU XIANG	NAME H3A-MTS-PG11	
0 PLC ±-		PRODUCT SPEC 108-137012	SIZE A3	
1 PLC ±-		APPLICATION SPEC 114-137012	CAGE CODE -	
2 PLC ±-		WEIGHT -	DRAWING NO C-T1319034111000	
3 PLC ±-		CUSTOMER DRAWING	RESTRICTED TO	
4 PLC ±-			SCALE 3:2 SHEET 1 OF 1 REV B	
ANGLES ±-				
FINISH				