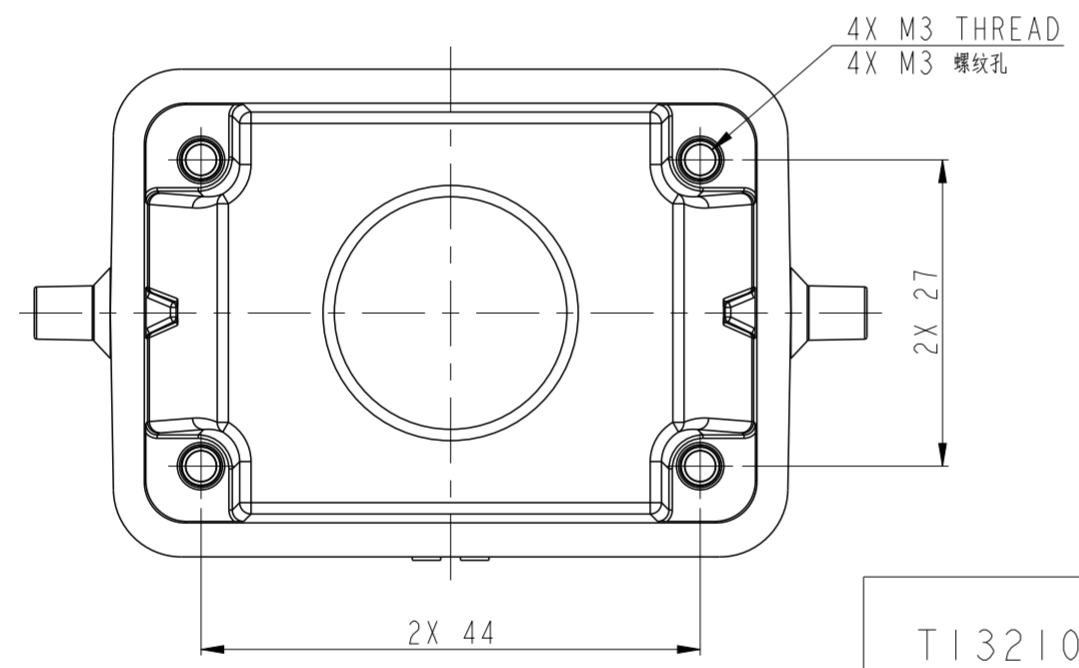
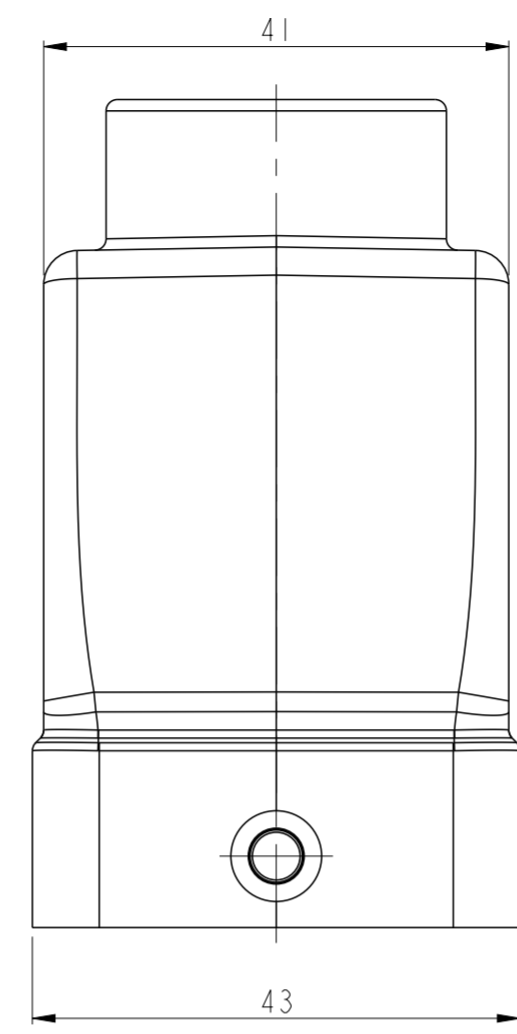
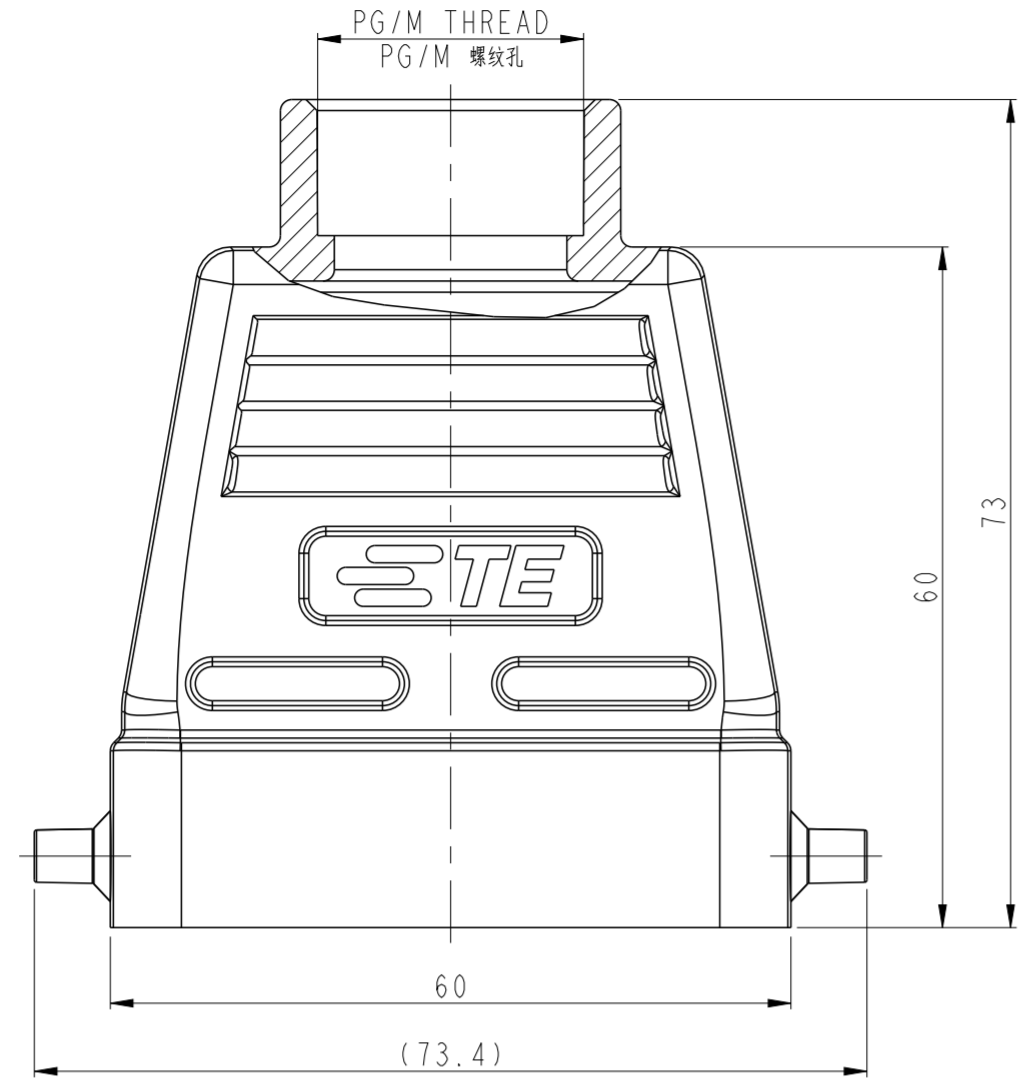


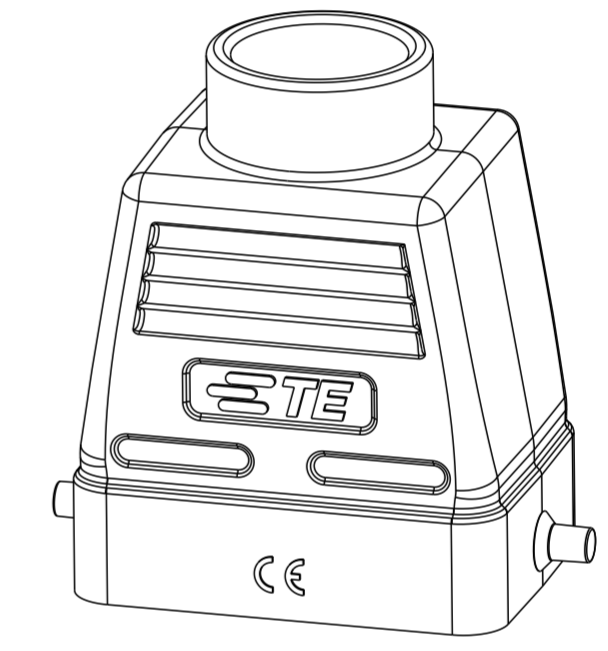
THIS DRAWING IS UNPUBLISHED. RELEASED FOR PUBLICATION
 © COPYRIGHT copyright.d8te- ALL RIGHTS RESERVED.

REVISIONS				
P	LTR	DESCRIPTION	DATE	APVD
A		INITIAL	26FEB2017	CH CW
B		ECR-20-007968	27SEP2020	WOR CW



NOTES:
 1. TECHNICAL CHARACTERISTICS:
 HOOD MATERIAL: DIE CAST ALUMINIUM ALLOY
 SURFACE: SEE TABLE
 DEGREE OF PROTECTION: IP65 (MATED)

注释:
 1. 技术参数:
 上壳材料: 铝合金
 表面处理: 见表格
 防护等级: IP65(配合)



SCALE 1:1

T1321060125-000	H6BN-TG-M25	H6B HOOD WITH SLEEVE, TOP ENTRY M25, 2 EAR, LOW CONSTRUCTION, POWDER COATED, GREY H6B上壳,带凸台,顶出M25,2耳,低结构,灰色粉末喷涂	M25
T1321060120-000	H6BN-TG-M20	H6B HOOD WITH SLEEVE, TOP ENTRY M20, 2 EAR, LOW CONSTRUCTION, POWDER COATED, GREY H6B上壳,带凸台,顶出M20,2耳,低结构,灰色粉末喷涂	M20
T1321060116-000	H6BN-TG-PG16	H6B HOOD WITH SLEEVE, TOP ENTRY PG16, 2 EAR, LOW CONSTRUCTION, POWDER COATED, GREY H6B上壳,带凸台,顶出PG16,2耳,低结构,灰色粉末喷涂	PG16
T1321060113-000	H6BN-TG-PG13.5	H6B HOOD WITH SLEEVE, TOP ENTRY PG13.5, 2 EAR, LOW CONSTRUCTION, POWDER COATED, GREY H6B上壳,带凸台,顶出PG13.5,2耳,低结构,灰色粉末喷涂	PG13.5
PART NUMBER 成品料号	PART DESCRIPTION 成品描述		PG/M THREAD PG/M 螺纹孔

THIS DRAWING IS A CONTROLLED DOCUMENT.

DWN	26FEB2017	TE Connectivity						
CHK	26FEB2017							
APVD	26FEB2017							
PRODUCT SPEC	108-137013							
APPLICATION SPEC	114-137013	NAME	H6BN-TG-PG/M					
WEIGHT	-	SIZE	A2					
CUSTOMER DRAWING	SCALE	3:2	SHEET	1	OF	1	REV	B