

REVISIONS

P	LTR	DESCRIPTION	DATE	DWN	APVD
	A	INITIAL RELEASE	21DEC2018	RG	CW
	A1	ECR-19-002408	19MAR2019	RG	CW
	B	ECR-20-007762	23NOV2020	BS	CW
	C	ECR-22-127780	27JAN2022	AD	CW

NOTES:

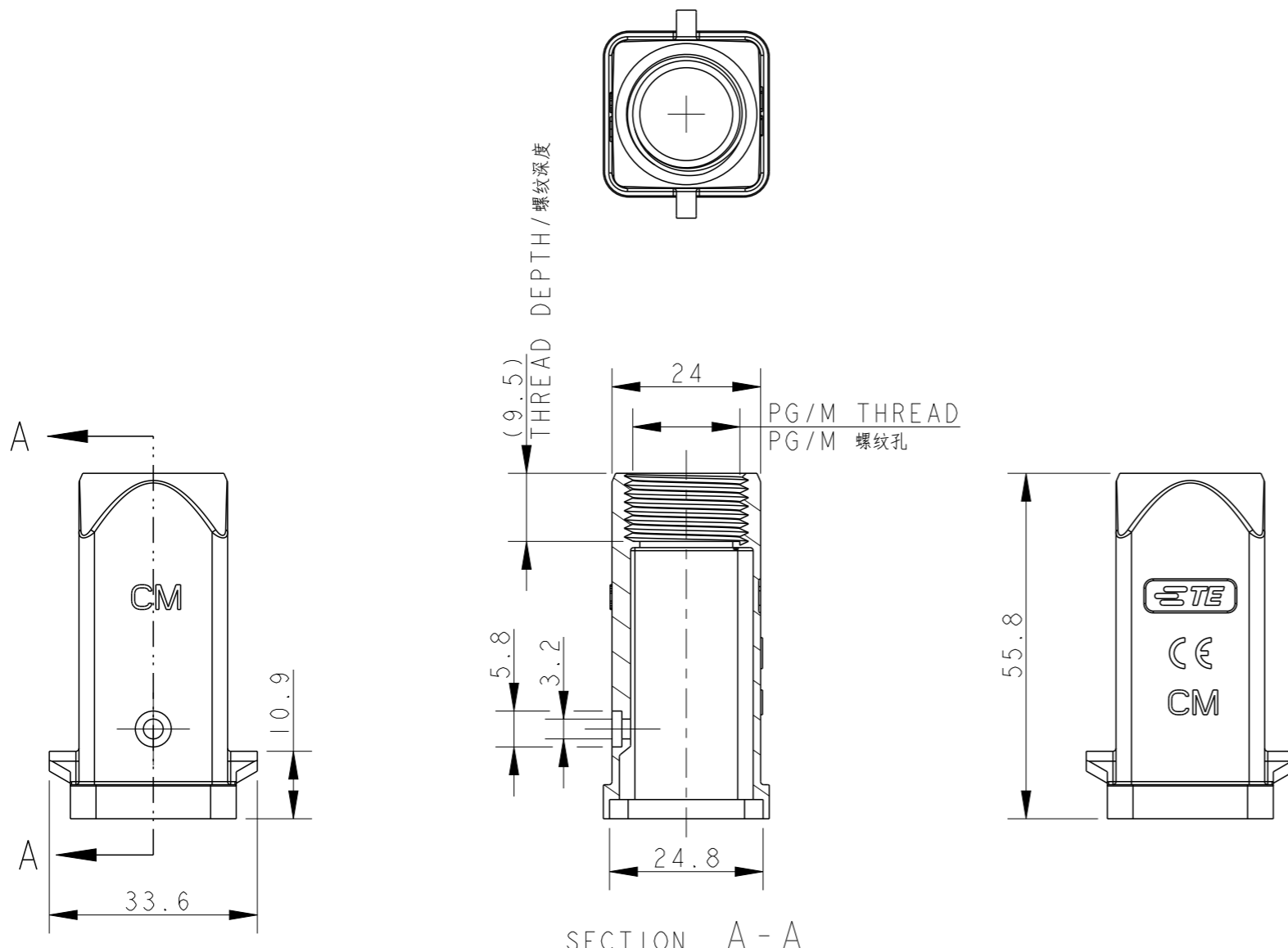
1. TECHNICAL CHARACTERISTICS:  
 BODY MATERIAL: DIE CAST ZINC ALLOY  
 SURFACE TREATMENT: SEE TABLE  
 DEGREE OF PROTECTION: IP65 (MATED)

2. RESTRICTED MATING HOUSING: T1509034000-000  
 T1509035000-000

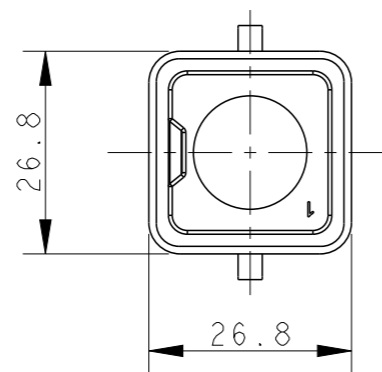
注释:

1. 技术参数:  
 主体材料: 锌合金  
 表面处理: 见表格  
 防护等级: IP65(配合)


2. 限定互配下壳: T1509034000-000  
 T1509035000-000



SECTION A - A



T1329032111-000	H3A-MTG-PG11	H3A HOOD, TOP ENTRY PG11, 2 EAR, POWDER COATED, GREY H3A上壳, 顶出PG11, 2耳, 灰色粉末喷涂	PG11
T1329032120-000	H3A-MTG-M20	H3A HOOD, TOP ENTRY M20, 2 EAR, POWDER COATED, GREY H3A上壳, 顶出M20, 2耳, 灰色粉末喷涂	M20X1.5
PART NUMBER 料号	PART DESCRIPTION 描述	PG/M THREAD PG/M螺纹孔	

THIS DRAWING IS A CONTROLLED DOCUMENT.		DWN 18DEC2018 ROBERT GAN	 TE Connectivity				
DIMENSIONS: mm		CHK 18DEC2018 GINO YAO			NAME H3A-MTG-PG/M FOR CROSS MATING		
TOLERANCES UNLESS OTHERWISE SPECIFIED:		APVD 18DEC2018 CHRIS WANG					
0 PLC ±- 1 PLC ±- 2 PLC ±- 3 PLC ±- 4 PLC ±- ANGLES ±-		PRODUCT SPEC 108-137012					
MATERIAL	FINISH	APPLICATION SPEC 114-137012	SIZE A3	CAGE CODE -	DRAWING NO C- T13290321XX000	RESTRICTED TO -	
		WEIGHT -	CUSTOMER DRAWING		SCALE 1:1	SHEET 1 OF 1	REV C