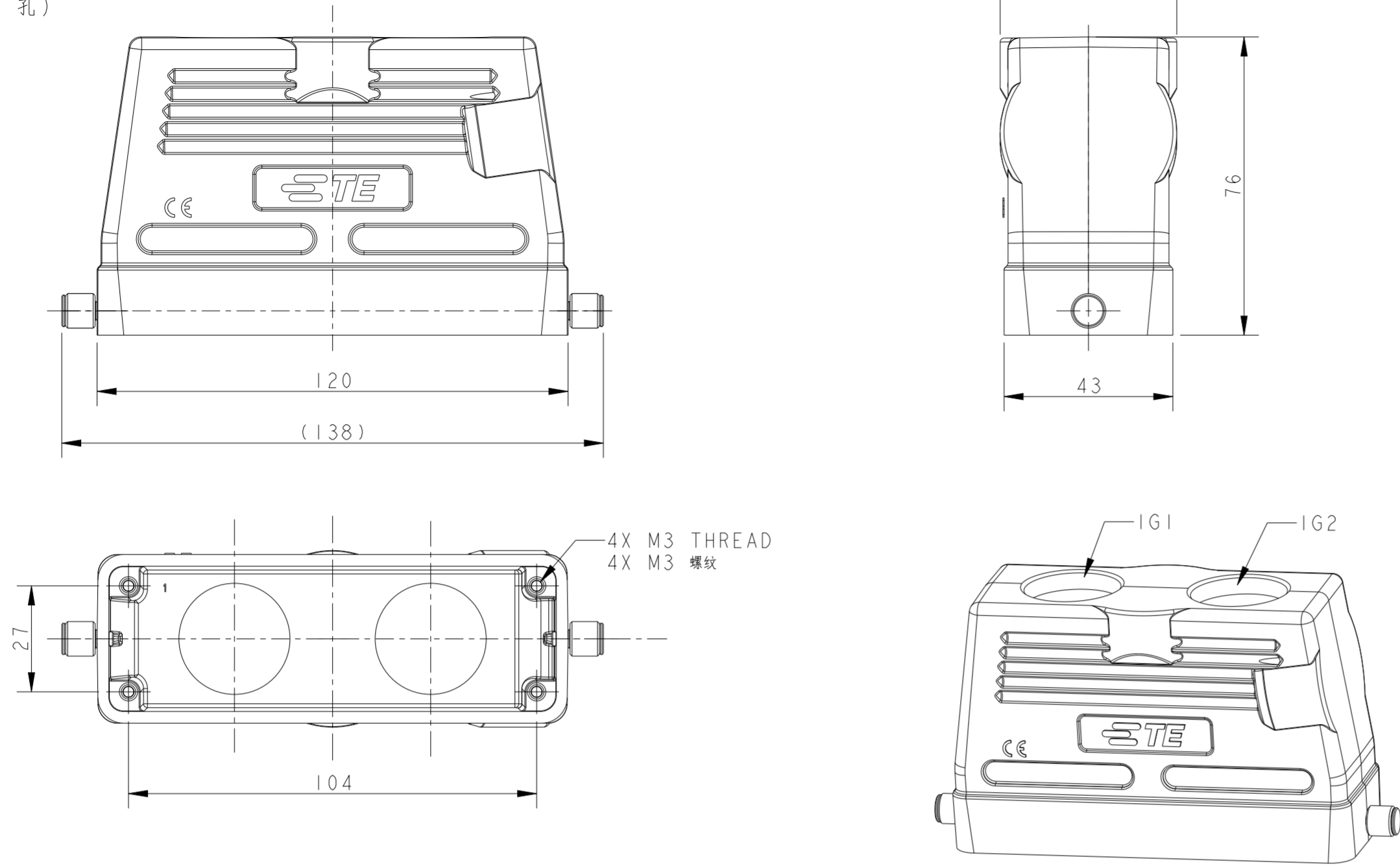


THIS DRAWING IS UNPUBLISHED. RELEASED FOR PUBLICATION 20
 © COPYRIGHT 20 BY - ALL RIGHTS RESERVED.

REVISIONS					
P	LTR	DESCRIPTION	DATE	DWN	APVD
A		INITIAL	04JUN2015	DW	CW
AI		ECR-18-019196	13DEC2018	WOR	CW
B		ECR-20-014876	03DEC2020	WOR	CW

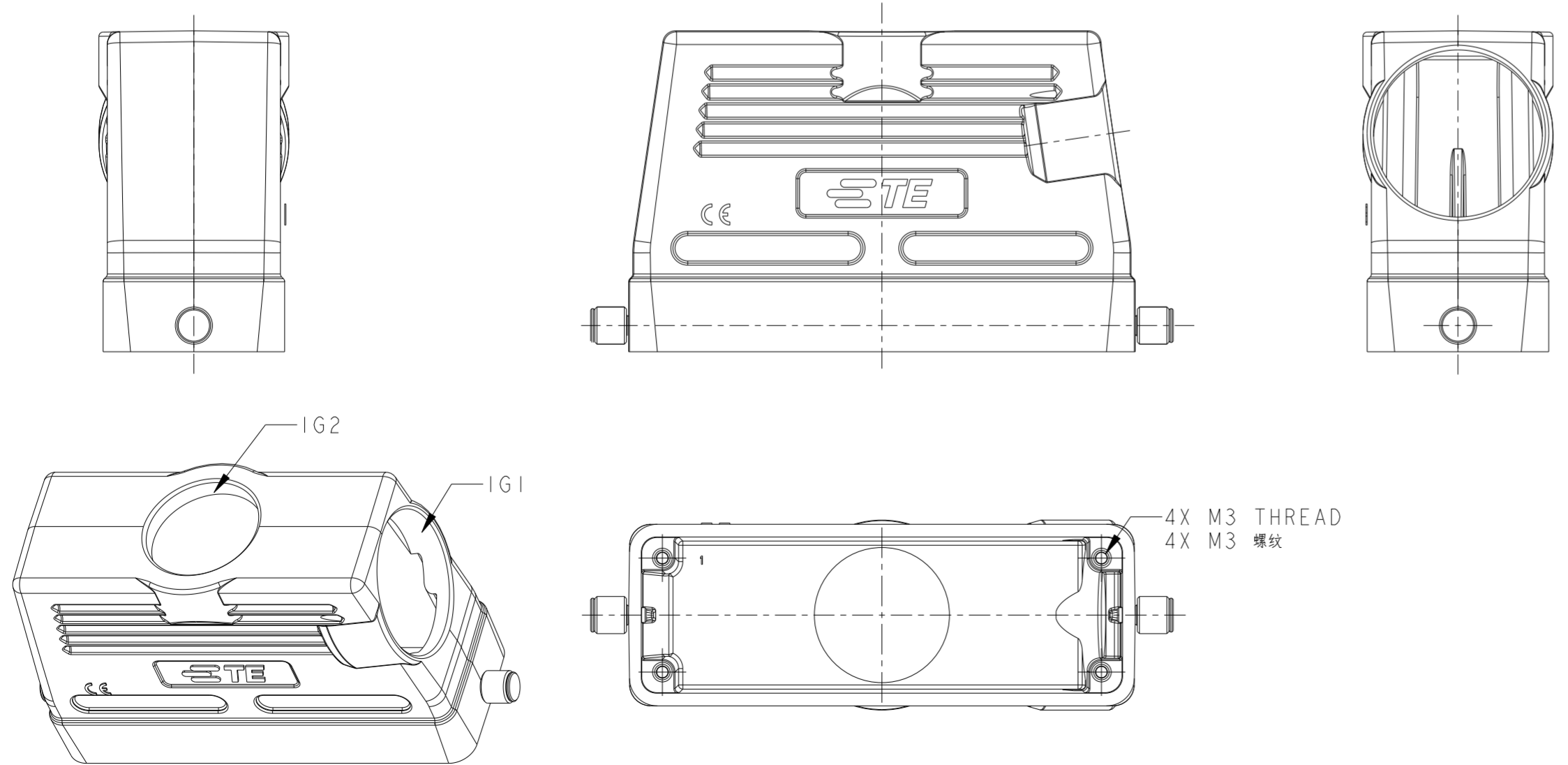
TYPE 1: TOP ENTRY (2 HOLE)
 类型 1: 顶出(2 孔)



NOTES:
 1. TECHNICAL CHARACTERISTICS:
 HOOD MATERIAL: DIE CAST ALUMINIUM ALLOY
 SURFACE: POWDER COATED, GREY
 DEGREE OF PROTECTION: IP65 (MATED)

注释:
 1. 技术参数:
 上壳材料: 铝合金
 表面处理: 粉末涂层, 灰色
 防护等级: IP65(配合)

TYPE 2: TOP ENTRY (1 HOLE) + SIDE ENTRY
 OTHER SPEC REFER TO TYPE 1
 类型 2: 顶出(1 孔) + 侧出
 其他规格参考类型 1.



PART NUMBER	料号	DESCRIPTION	描述	IG1	IG2	TYPE	类型
T1180244032-000	H24B-TGH/TSH-RO-M32/M40	H24B HOOD, TOP ENTRY M32, SIDE ENTRY M40, 2 EAR, HIGH CONSTRUCTION, POWDER COATED, GREY	H24B上壳, 顶出M32, 侧出M40, 2耳, 高结构, 灰色粉末喷涂	M40	M32	TYPE 2	类型 2
T1180243232-000	H24B-TGH/TSH-RO-M32/M32	H24B HOOD, TOP ENTRY M32, SIDE ENTRY M32, 2 EAR, HIGH CONSTRUCTION, POWDER COATED, GREY	H24B上壳, 顶出M32, 侧出M32, 2耳, 高结构, 灰色粉末喷涂	M32	M32	TYPE 2	类型 2
T1340240221-000	H24B-TGH-RO-2PG21	H24B HOOD, TOP ENTRY 2PG21, 2 EAR, HIGH CONSTRUCTION, POWDER COATED, GREY	H24B上壳, 顶出2PG21, 2耳, 高结构, 灰色粉末喷涂	PG21	PG21	TYPE 1	类型 1
T1340240232-000	H24B-TGH-RO-2M32	H24B HOOD, TOP ENTRY 2M32, 2 EAR, HIGH CONSTRUCTION, POWDER COATED, GREY	H24B上壳, 顶出2M32, 2耳, 高结构, 灰色粉末喷涂	M32	M32	TYPE 1	类型 1
T1340243225-000	H24B-TGH-RO-M32/M25	H24B HOOD, TOP ENTRY M32/M25, 2 EAR, HIGH CONSTRUCTION, POWDER COATED, GREY	H24B上壳, 顶出M32/M25, 2耳, 高结构, 灰色粉末喷涂	M32	M25	TYPE 1	类型 1
T1340240225-000	H24B-TGH-RO-2M25	H24B HOOD, TOP ENTRY 2M25, 2 EAR, HIGH CONSTRUCTION, POWDER COATED, GREY	H24B上壳, 顶出2M25, 2耳, 高结构, 灰色粉末喷涂	M25	M25	TYPE 1	类型 1

THIS DRAWING IS A CONTROLLED DOCUMENT.

DWN David Wang 04JUN2015
 CHK Chris Wang 04JUN2015
 APVD Xiang Xu 04JUN2015

STE TE Connectivity

NAME H24B-TGH/TSH-RO-PG/M

PRODUCT SPEC 108-137013
 APPLICATION SPEC 114-137013

MATERIAL - FINISH - WEIGHT -

SIZE A2 CAGE CODE - DRAWING NO. C-T134024XXXX000 RESTRICTED TO

CUSTOMER DRAWING SCALE 4:5 SHEET 1 OF 1 REV B