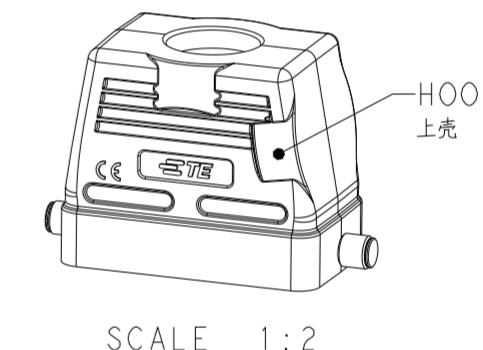
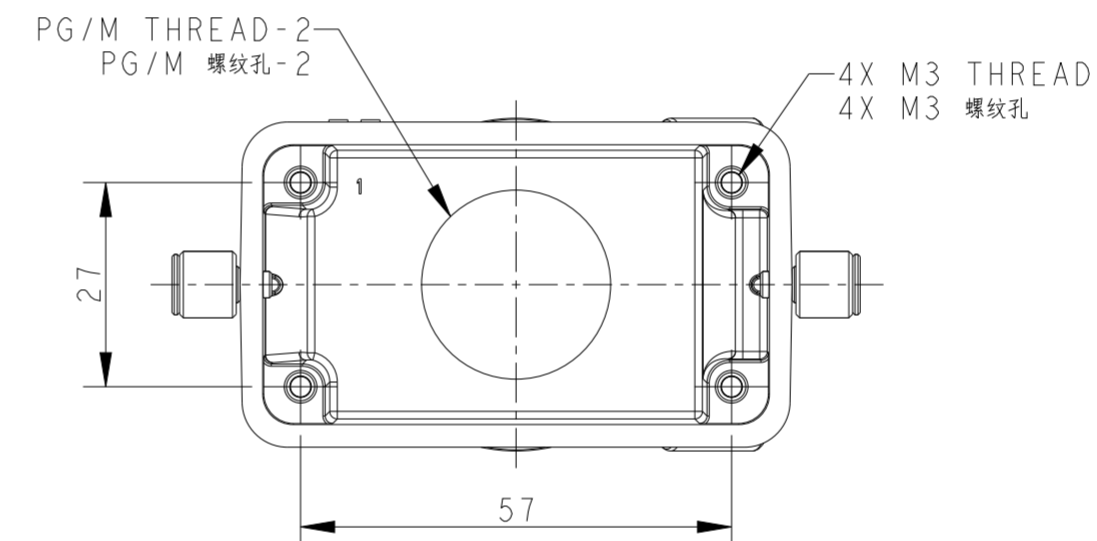
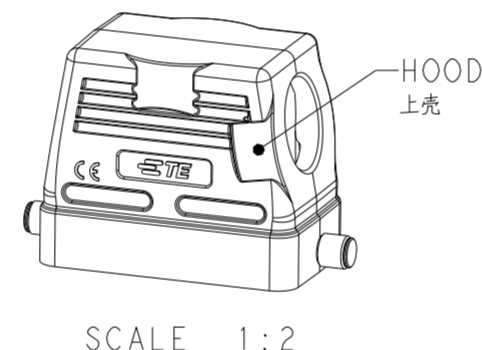
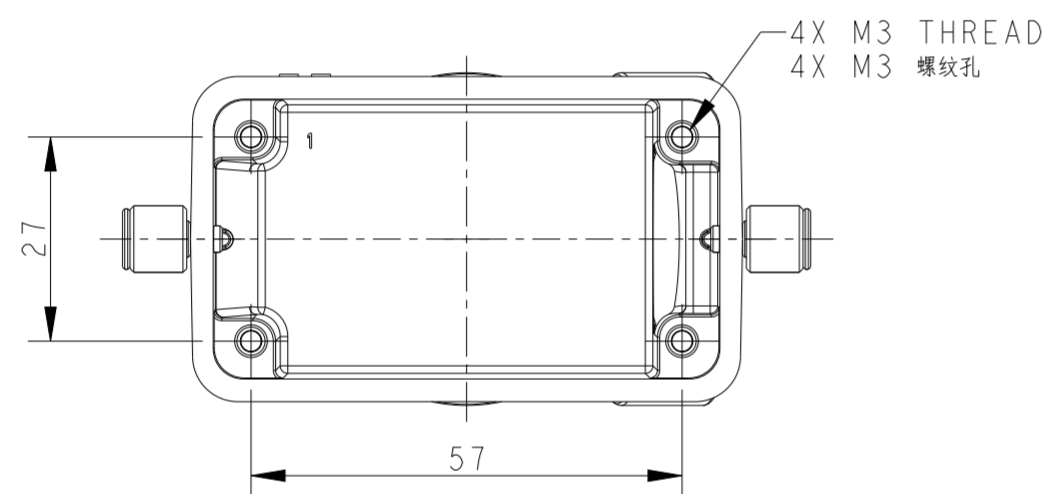
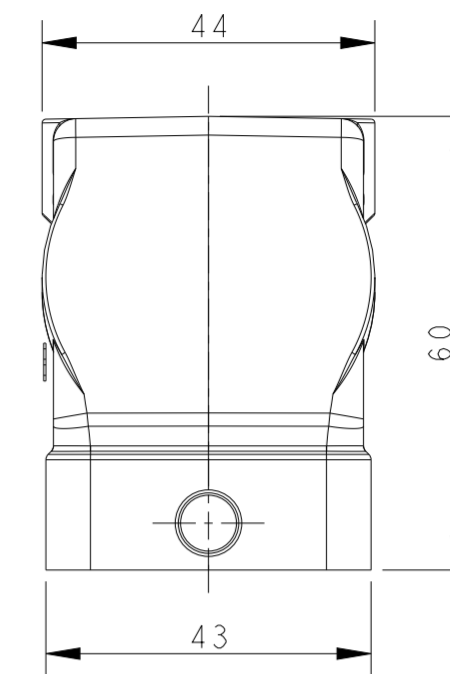
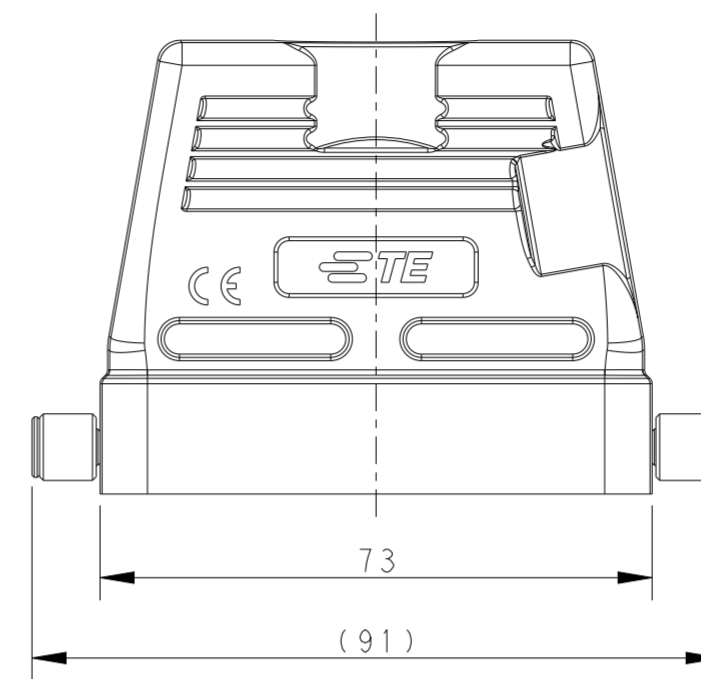
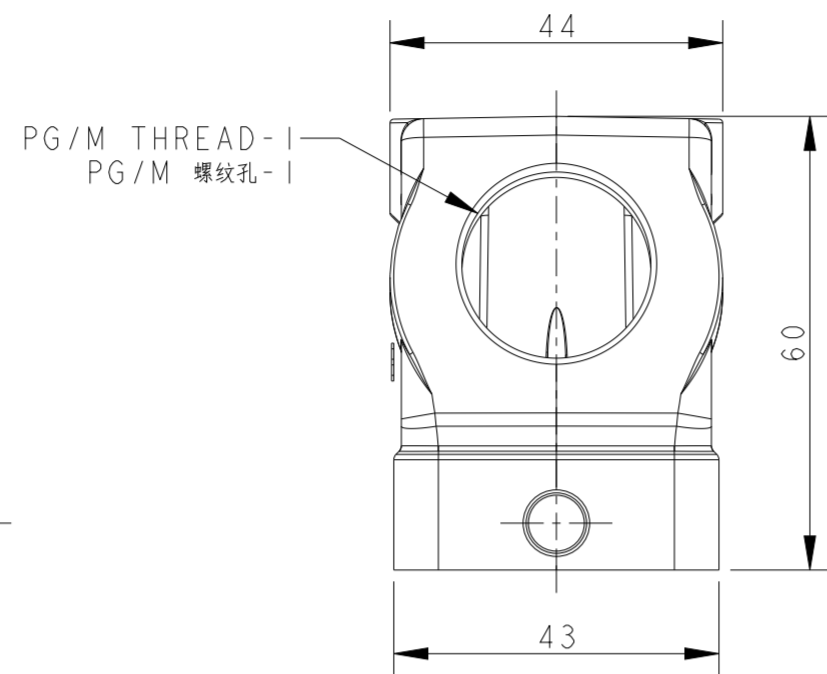
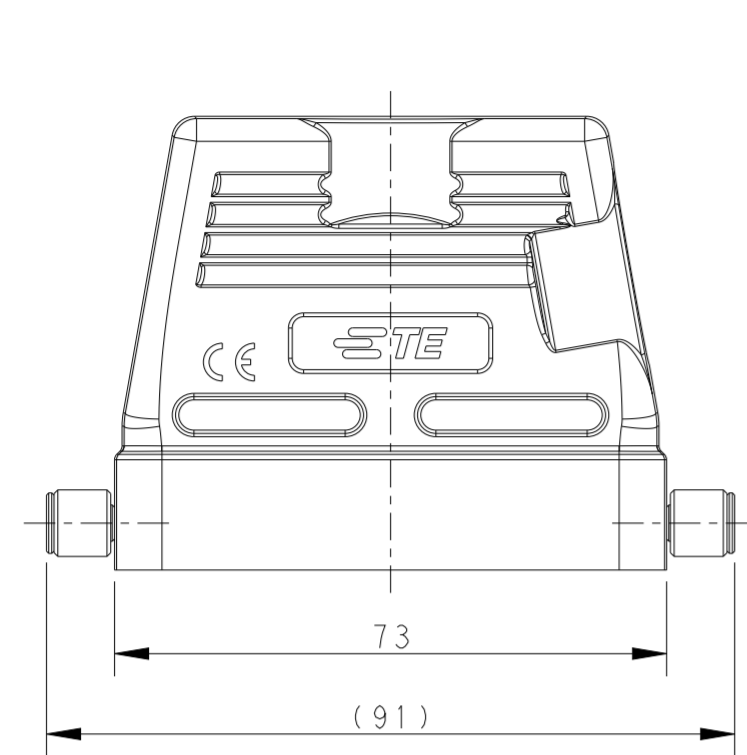


THIS DRAWING IS UNPUBLISHED. RELEASED FOR PUBLICATION 20
 © COPYRIGHT 20 BY - ALL RIGHTS RESERVED.

REVISIONS				
P	LTR	DESCRIPTION	DATE	APVD
A		INITIAL RELEASE	28JUN2017	DW CW
B		ECR-20-014388	25MAR2021	WOR CW
B1		ECR-21-103925	11JUN2021	WOR CW



TYPE 1: H10B EMC HOOD, SIDE ENTRY, LOW CONSTRUCTION
 H10B 屏蔽上壳, 侧出, 低结构

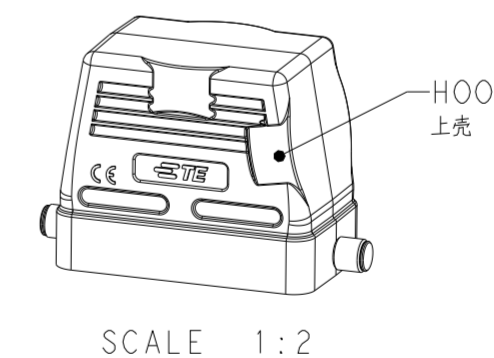
TYPE 2: H10B EMC HOOD, TOP ENTRY, LOW CONSTRUCTION
 H10B 屏蔽上壳, 顶出, 低结构

NOTES:

- TECHNICAL CHARACTERISTICS:
 HOOD MATERIAL: DIE CAST ALUMINIUM ALLOY
 HOOD SURFACE: CONDUCTIVE PAINTING
 HOOD SURFACE COLOR: TRANSPARENCY
 HOOD RESISTANCE: $\leq 10 \text{ m}\Omega$
 DEGREE OF PROTECTION: IP65 (MATED)

注释:

- 技术参数:
 上壳材料: 铝合金
 上壳表面处理: 喷导电漆
 上壳表面处理颜色: 透明
 上壳电阻: $\leq 10 \text{ m}\Omega$
 防护等级: IP65(配合)

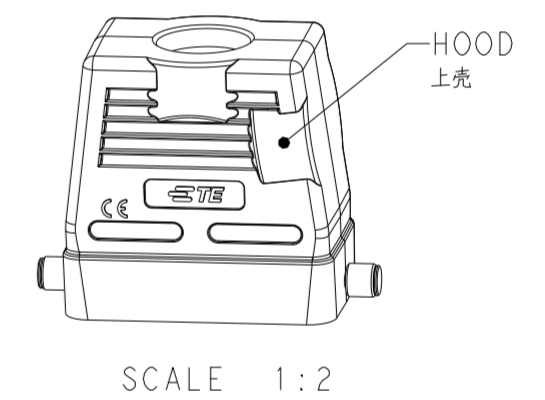
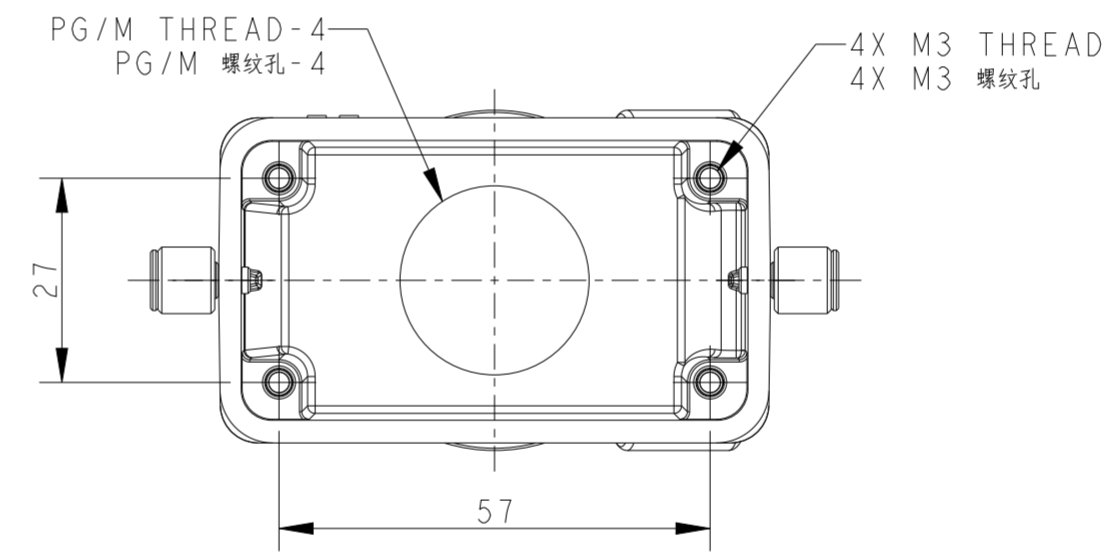
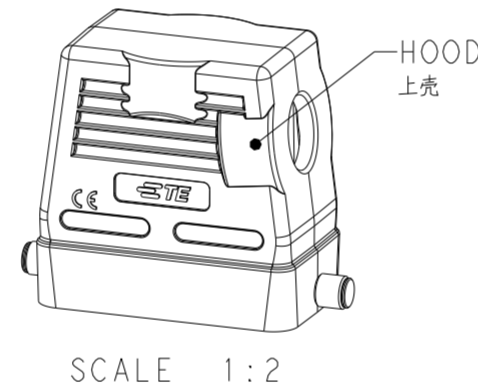
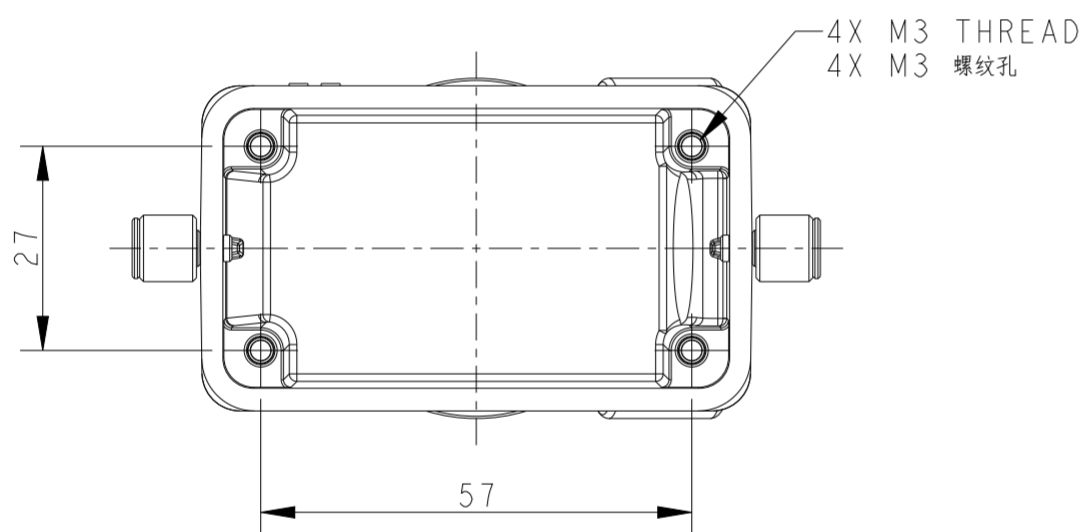
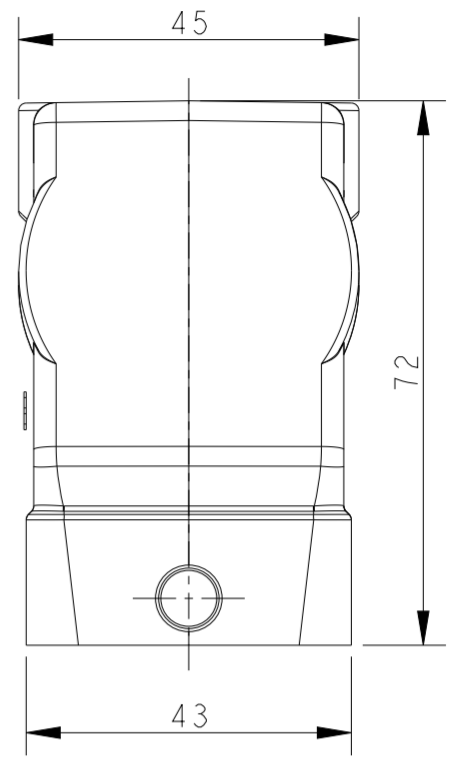
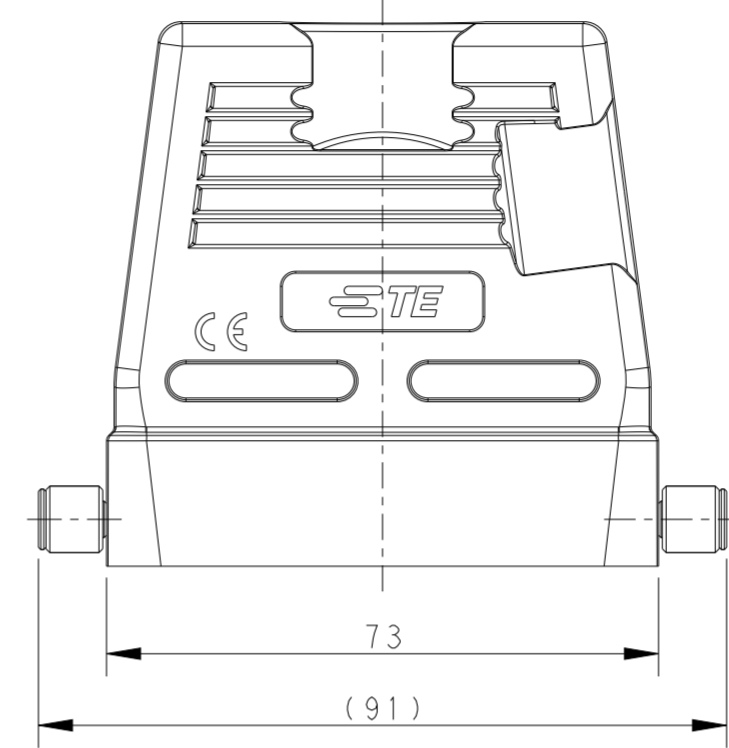
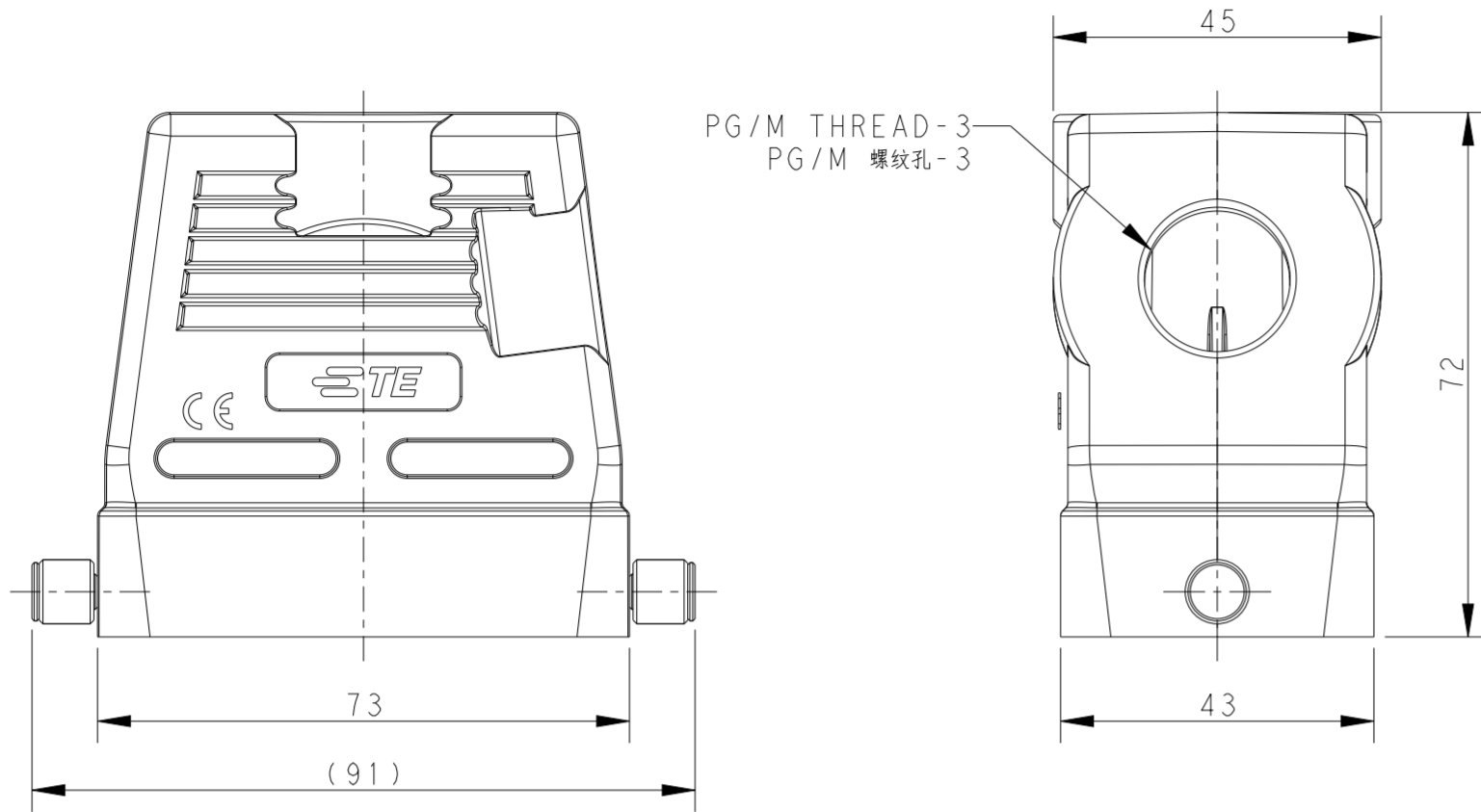


TYPE 5: H10B EMC HOOD, NO ENTRY, LOW CONSTRUCTION
 OTHER SPEC REFER TO TYPE 1
 H10B 屏蔽上壳, 无出线孔, 低结构, 其它规格参照类型 1

THIS DRAWING IS A CONTROLLED DOCUMENT.		DWN DAVID WANG 28JUN2017	STE TE Connectivity	
DIMENSIONS: mm		CHK GINO YAO 28JUN2017		
TOLERANCES UNLESS OTHERWISE SPECIFIED:		APVD CHRIS WANG 28JUN2017	NAME H10B-TS/TG/TSH/TGH-RO-EMC-M/PG	
0 PLC ±		PRODUCT SPEC 108-137016	SIZE CAGE CODE DRAWING NO RESTRICTED TO	
1 PLC ±		APPLICATION SPEC 114-137016	A200779 C-T13X510XXXX000	
2 PLC ±		WEIGHT -	SCALE 1:2 SHEET 1 OF 3 REV B1	
3 PLC ±		Customer Drawing		
4 PLC ±				
ANGLES ±				
FINISH -				

THIS DRAWING IS UNPUBLISHED. RELEASED FOR PUBLICATION 20
 © COPYRIGHT 20 BY - ALL RIGHTS RESERVED.

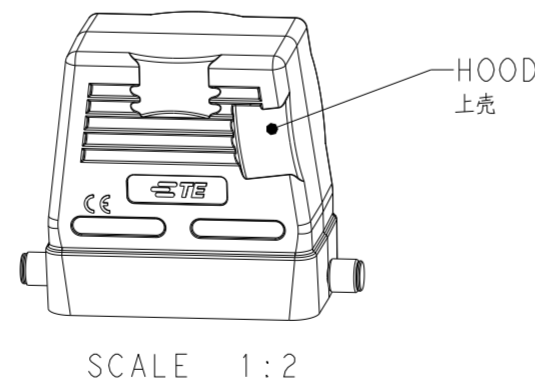
REVISIONS				
P	LTR	DESCRIPTION	DATE	APVD
-	-	SEE SHEET 1	-	-



TYPE 3: H10B EMC HOOD, SIDE ENTRY, HIGH CONSTRUCTION
 H10B 屏蔽上壳, 侧出, 高结构

TYPE 4: H10B EMC HOOD, TOP ENTRY, HIGH CONSTRUCTION
 H10B 屏蔽上壳, 顶出, 高结构

NOTES:
 SEE SHEET 1



TYPE 6: H10B EMC HOOD, NO ENTRY, HIGH CONSTRUCTION
 OTHER SPEC REFER TO TYPE 3
 H10B 屏蔽上壳, 无出线孔, 高结构, 其它规格参照类型 I

THIS DRAWING IS A CONTROLLED DOCUMENT.		DWN 28JUN2017 DAVID WANG	TE Connectivity	
DIMENSIONS: mm		CHK 28JUN2017 GINO YAO		
TOLERANCES UNLESS OTHERWISE SPECIFIED:		APVD 28JUN2017 CHRIS WANG	NAME H10B-TS/TG/TSH/TGH-RO-EMC-M/PG	
0 PLC ± 1 PLC ± 2 PLC ± 3 PLC ± 4 PLC ± ANGLES ± FINISH ±		PRODUCT SPEC 108-137016	SIZE CAGE CODE DRAWING NO A200779 C-T13X510XXX000	
MATERIAL		APPLIC. SPEC 114-137016	RESTRICTED TO	
		WEIGHT	SCALE 1:1 SHEET 2 OF 3 REV B1	
		Customer Drawing		

THIS DRAWING IS UNPUBLISHED. RELEASED FOR PUBLICATION 20
 © COPYRIGHT 20 BY - ALL RIGHTS RESERVED.

REVISIONS

P	LTR	DESCRIPTION	DATE	DWN	APVD
-	-	SEE SHEET 1	-	-	-

NOTES:
SEE SHEET 1

PART NUMBER 料号	PART DESCRIPTION 描述	PG/M THREAD-1 PG/M 螺纹孔-1	PG/M THREAD-2 PG/M 螺纹孔-2	PG/M THREAD-3 PG/M 螺纹孔-3	PG/M THREAD-4 PG/M 螺纹孔-4	TYPE 类型
T1345100000-000	H10B-TGH-RO-EMC H10B EMC HOOD, NO ENTRY, 2 EAR, HIGH CONSTRUCTION H10B屏蔽上壳, 无出线孔, 2耳, 高结构	-	-	-	-	TYPE 6 类型6
T1325100000-000	H10B-TG-RO-EMC H10B EMC HOOD, NO ENTRY, 2 EAR, LOW CONSTRUCTION H10B屏蔽上壳, 无出线孔, 2耳, 低结构	-	-	-	-	TYPE 5 类型5
T1345107134-000	H10B-TGH-RO-EMC-NPT3/4 H10B EMC HOOD, TOP ENTRY NPT3/4, 2 EAR, HIGH CONSTRUCTION H10B屏蔽上壳, 顶出NPT3/4, 2耳, 高结构	-	-	-	NPT3/4	TYPE 4 类型4
T1345100132-000	H10B-TGH-RO-EMC-M32 H10B EMC HOOD, TOP ENTRY M32, 2 EAR, HIGH CONSTRUCTION H10B屏蔽上壳, 顶出M32, 2耳, 高结构	-	-	-	M32	
T1345100129-000	H10B-TGH-RO-EMC-PG29 H10B EMC HOOD, TOP ENTRY PG29, 2 EAR, HIGH CONSTRUCTION H10B屏蔽上壳, 顶出PG29, 2耳, 高结构	-	-	-	PG29	
T1345100125-000	H10B-TGH-RO-EMC-M25 H10B EMC HOOD, TOP ENTRY M25, 2 EAR, HIGH CONSTRUCTION H10B屏蔽上壳, 顶出M25, 2耳, 高结构	-	-	-	M25	
T1345100121-000	H10B-TGH-RO-EMC-PG21 H10B EMC HOOD, TOP ENTRY PG21, 2 EAR, HIGH CONSTRUCTION H10B屏蔽上壳, 顶出PG21, 2耳, 高结构	-	-	-	PG21	
T1335107134-000	H10B-TSH-RO-EMC-NPT3/4 H10B EMC HOOD, SIDE ENTRY NPT3/4, 2 EAR, HIGH CONSTRUCTION H10B屏蔽上壳, 侧出NPT3/4, 2耳, 高结构	-	-	NPT3/4	-	TYPE 3 类型3
T1335100132-000	H10B-TSH-RO-EMC-M32 H10B EMC HOOD, SIDE ENTRY M32, 2 EAR, HIGH CONSTRUCTION H10B屏蔽上壳, 侧出M32, 2耳, 高结构	-	-	M32	-	
T1335100129-000	H10B-TSH-RO-EMC-PG29 H10B EMC HOOD, SIDE ENTRY PG29, 2 EAR, HIGH CONSTRUCTION H10B屏蔽上壳, 侧出PG29, 2耳, 高结构	-	-	PG29	-	
T1335100125-000	H10B-TSH-RO-EMC-M25 H10B EMC HOOD, SIDE ENTRY M25, 2 EAR, HIGH CONSTRUCTION H10B屏蔽上壳, 侧出M25, 2耳, 高结构	-	-	M25	-	
T1335100121-000	H10B-TSH-RO-EMC-PG21 H10B EMC HOOD, SIDE ENTRY PG21, 2 EAR, HIGH CONSTRUCTION H10B屏蔽上壳, 侧出PG21, 2耳, 高结构	-	-	PG21	-	
T1325100125-000	H10B-TG-RO-EMC-M25 H10B EMC HOOD, TOP ENTRY M25, 2 EAR, LOW CONSTRUCTION H10B屏蔽上壳, 顶出M25, 2耳, 低结构	-	M25	-	-	TYPE 2 类型2
T1325100120-000	H10B-TG-RO-EMC-M20 H10B EMC HOOD, TOP ENTRY M20, 2 EAR, LOW CONSTRUCTION H10B屏蔽上壳, 顶出M20, 2耳, 低结构	-	M20	-	-	
T1325100116-000	H10B-TG-RO-EMC-PG16 H10B EMC HOOD, TOP ENTRY PG16, 2 EAR, LOW CONSTRUCTION H10B屏蔽上壳, 顶出PG16, 2耳, 低结构	-	PG16	-	-	
T1315100125-000	H10B-TS-RO-EMC-M25 H10B EMC HOOD, SIDE ENTRY M25, 2 EAR, LOW CONSTRUCTION H10B屏蔽上壳, 侧出M25, 2耳, 低结构	M25	-	-	-	TYPE 1 类型1
T1315100121-000	H10B-TS-RO-EMC-PG21 H10B EMC HOOD, SIDE ENTRY PG21, 2 EAR, LOW CONSTRUCTION H10B屏蔽上壳, 侧出PG21, 2耳, 低结构	PG21	-	-	-	
T1315100120-000	H10B-TS-RO-EMC-M20 H10B EMC HOOD, SIDE ENTRY M20, 2 EAR, LOW CONSTRUCTION H10B屏蔽上壳, 侧出M20, 2耳, 低结构	M20	-	-	-	
T1315100116-000	H10B-TS-RO-EMC-PG16 H10B EMC HOOD, SIDE ENTRY PG16, 2 EAR, LOW CONSTRUCTION H10B屏蔽上壳, 侧出PG16, 2耳, 低结构	PG16	-	-	-	
T1315100113-000	H10B-TS-RO-EMC-PG13.5 H10B EMC HOOD, SIDE ENTRY PG13.5, 2 EAR, LOW CONSTRUCTION H10B屏蔽上壳, 侧出PG13.5, 2耳, 低结构	PG13.5	-	-	-	
T1315100016-000	H10B-TS-RO-EMC-M16 H10B EMC HOOD, SIDE ENTRY M16, 2 EAR, LOW CONSTRUCTION H10B屏蔽上壳, 侧出M16, 2耳, 低结构	M16	-	-	-	

THIS DRAWING IS A CONTROLLED DOCUMENT.

DWN	DAVID WANG	28 JUN 2017
CHK	GINO YAO	28 JUN 2017
APVD	CHRIS WANG	28 JUN 2017

PRODUCT SPEC: 108-137016
 APPLICATION SPEC: 114-137016

NAME: H10B-TS/TG/TSH/TGH-RO-EMC-M/PG

SIZE: A2 CAGE CODE: 00779 DRAWING NO: T13X510XXXX000 RESTRICTED TO: -

Customer Drawing SCALE: 1:1 SHEET: 3 OF 3 REV: B1