

THIS DRAWING IS UNPUBLISHED.

RELEASED FOR PUBLICATION

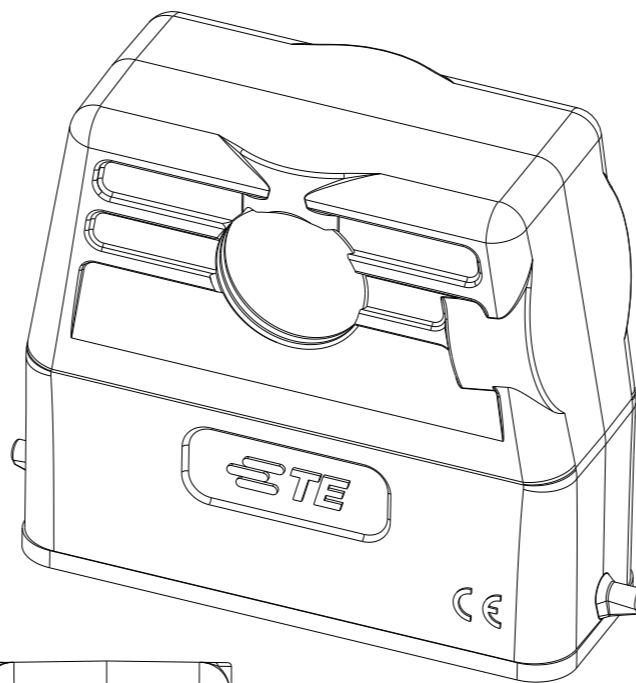
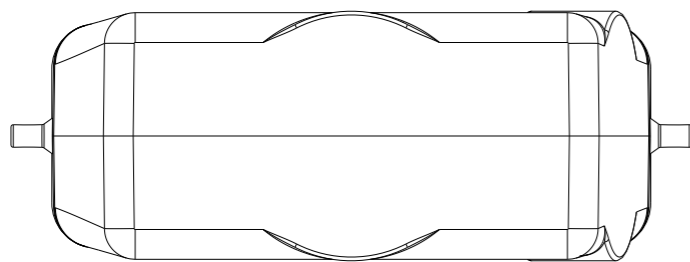
20

© COPYRIGHT 20 BY -

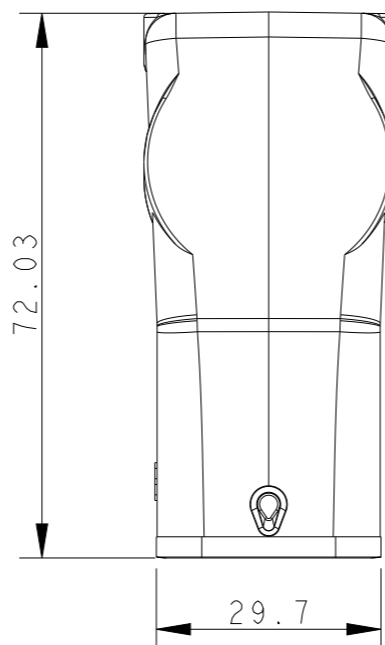
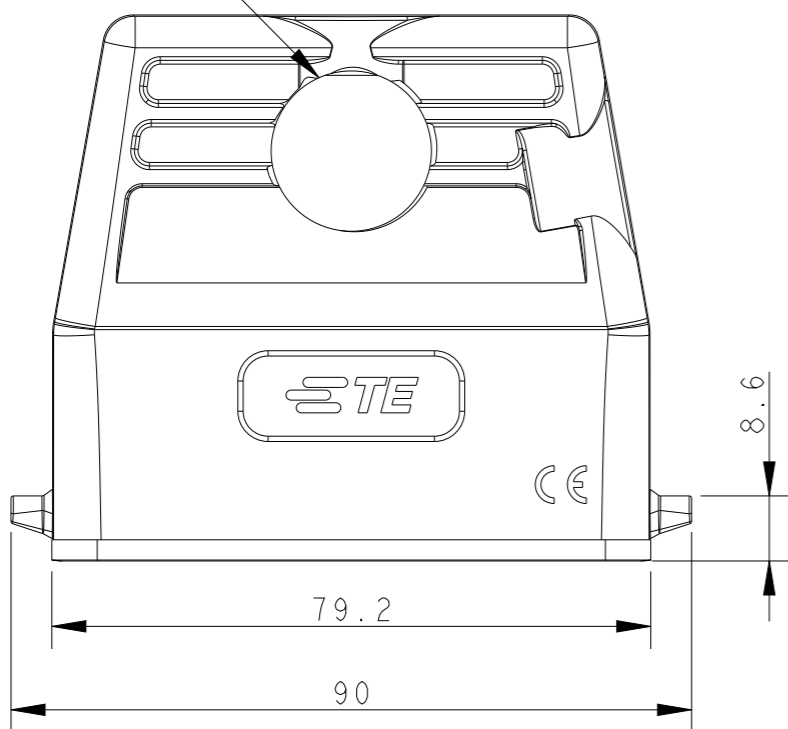
ALL RIGHTS RESERVED.

REVISIONS

P	LTR	DESCRIPTION	DATE	DWN	APVD
	A	INITIAL RELEASE	07MAY2015	DL	CW
	B	ECR-20-009510	28DEC2020	BS	CW
	BI	ECR-21-105988	28JUL2021	BS	CW



PG/M

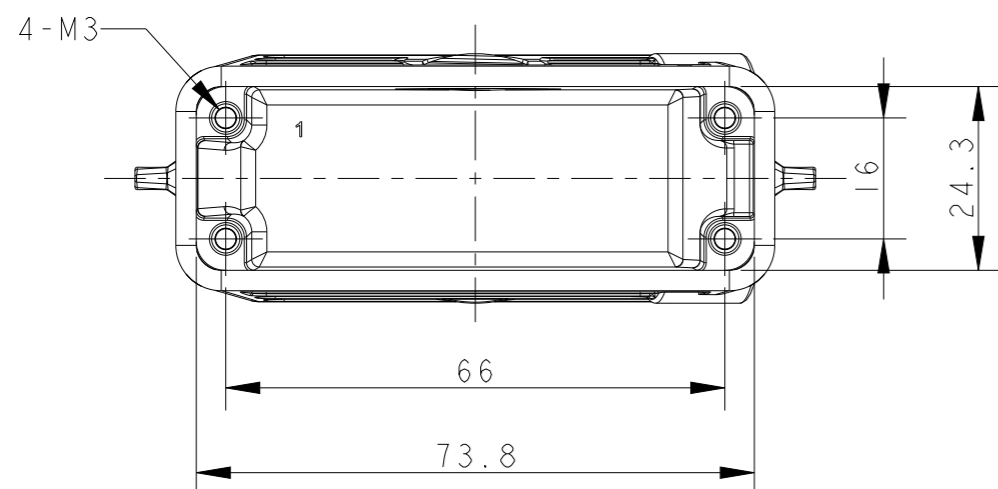


NOTES:


- 1. TECHNICAL CHARACTERISTICS:  
 BODY MATERIAL: DIE CAST ALUMINIUM ALLOY  
 SURFACE TREATMENT: POWDER-COATED, GRAY  
 DEGREE OF PROTECTION: IP65 (MATED)

注释:

- 1. 技术参数:  
 主体材料: 铝合金  
 表面处理: 粉末喷涂, 灰色  
 防护等级: IP65(配合)



T13X9160116-000	H16A-TSH-PG16	PG16
ASSEMBLY PART NUMBER	ASSEMBLY PART DESCRIPTION	PG/M

THIS DRAWING IS A CONTROLLED DOCUMENT.		DWN 07MAY2015 DAVID LI	 TE Connectivity NAME H16A-TSH-PG16			
DIMENSIONS: mm		CHK 07MAY2015 CHRIS WANG				
TOLERANCES UNLESS OTHERWISE SPECIFIED:		APVD 07MAY2015 XU XIANG				
0 PLC ±- 1 PLC ±- 2 PLC ±- 3 PLC ±- 4 PLC ±- ANGLES ±-		PRODUCT SPEC 108-137010				
MATERIAL		APPLICATION SPEC 114-137010	SIZE A3	CAGE CODE -	DRAWING NO. ©-T13X9160116000	RESTRICTED TO
		WEIGHT -	SCALE 1:1		SHEET 1 OF 1	REV BI
		CUSTOMER DRAWING				