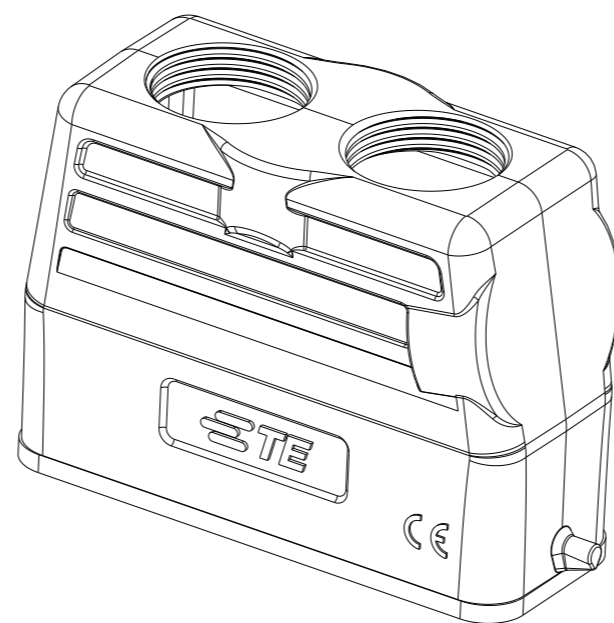
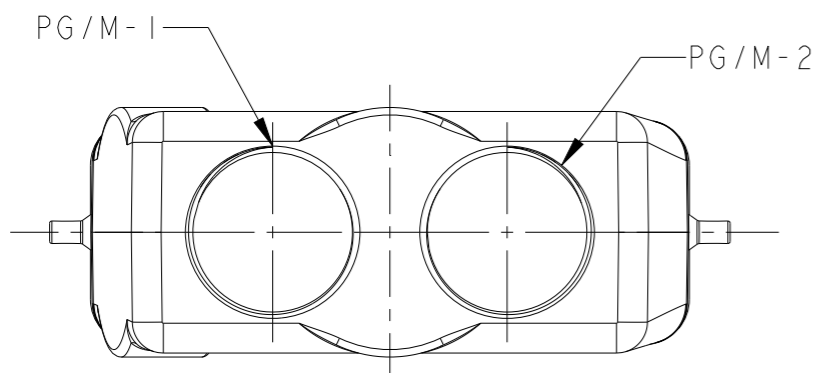


REVISIONS

P	LTR	DESCRIPTION	DATE	DWN	APVD
	A	INITIAL	12DEC2018	KW	CW
	B	ECR-20-009510	28DEC2020	BS	CW
	BI	ECR-21-105988	28JUL2021	BS	CW

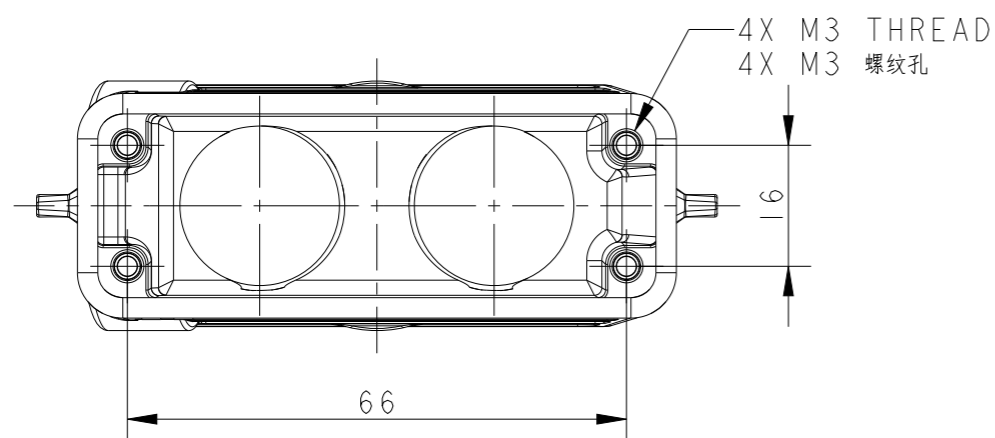
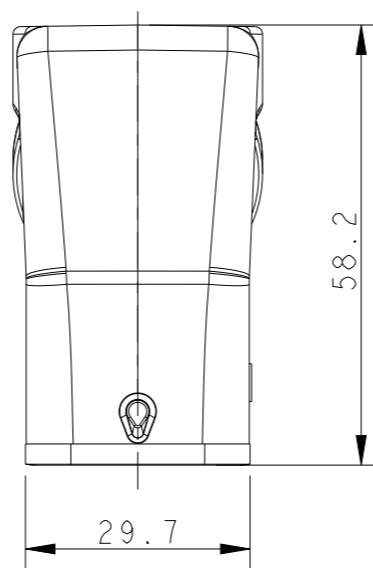
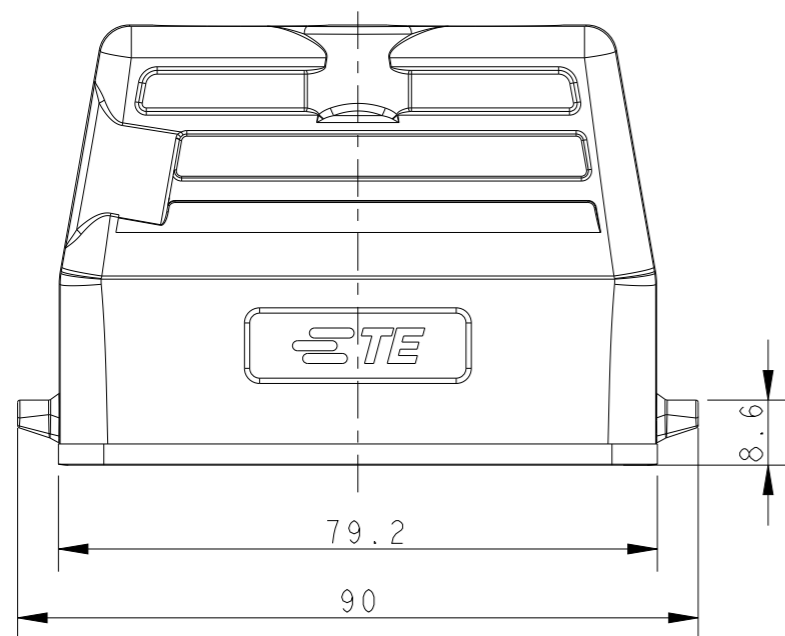


NOTES:

- 1. TECHNICAL CHARACTERISTICS:  
 BODY MATERIAL: DIE CAST ALUMINIUM ALLOY  
 SURFACE TREATMENT: POWDER-COATED, GRAY  
 DEGREE OF PROTECTION: IP65 (MATED)

注释:

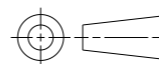
- 1. 技术参数:  
 主体材料: 铝合金  
 表面处理: 粉末喷涂, 灰色  
 防护等级: IP65 (配合)



T1329160216-000	H16A-TG-2PG16	H16A HOOD, TOP ENTRY 2PG16, 2 EAR, LOW CONSTRUCTION, POWDER COATED, GREY H16A上壳, 顶出2PG16, 2耳, 低结构, 灰色粉末喷涂	PG16	PG16
T1329160213-000	H16A-TG-2PG13.5	H16A HOOD, TOP ENTRY 2PG13.5, 2 EAR, LOW CONSTRUCTION, POWDER COATED, GREY H16A上壳, 顶出2PG13.5, 2耳, 低结构, 灰色粉末喷涂	PG13.5	PG13.5
PART NUMBER 料号	DESCRIPTION 描述		PG/M-1 螺纹孔-1	PG/M-2 螺纹孔-2

THIS DRAWING IS A CONTROLLED DOCUMENT.

DIMENSIONS:  
mm



TOLERANCES UNLESS OTHERWISE SPECIFIED:

- 0 PLC ±-
- 1 PLC ±-
- 2 PLC ±-
- 3 PLC ±-
- 4 PLC ±-
- ANGLES ±-
- FINISH ±-

MATERIAL

DWN 12DEC2018

KAYLA WANG

CHK 12DEC2018

GINO YAO

APVD 12DEC2018

CHRIS WANG

PRODUCT SPEC

108-137010

APPLICATION SPEC

114-137010

WEIGHT

-

CUSTOMER DRAWING



TE Connectivity

NAME  
H16A-TG-2PG16/2PG13.5

SIZE CAGE CODE DRAWING NO RESTRICTED TO

A300779 C-T13X91602XX000 -

SCALE 1:1 SHEET 1 OF 1 REV BI