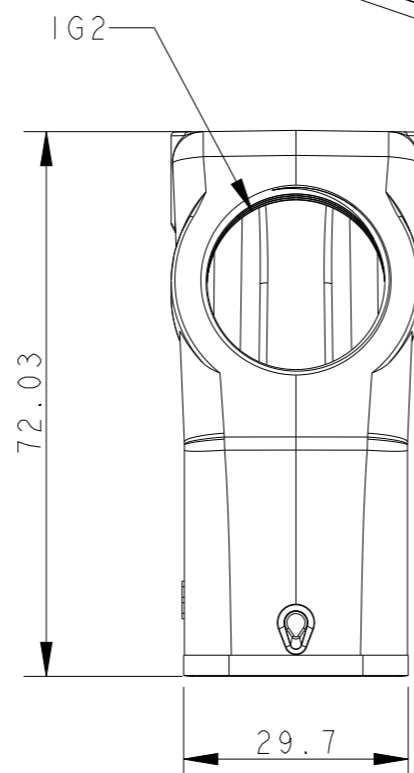
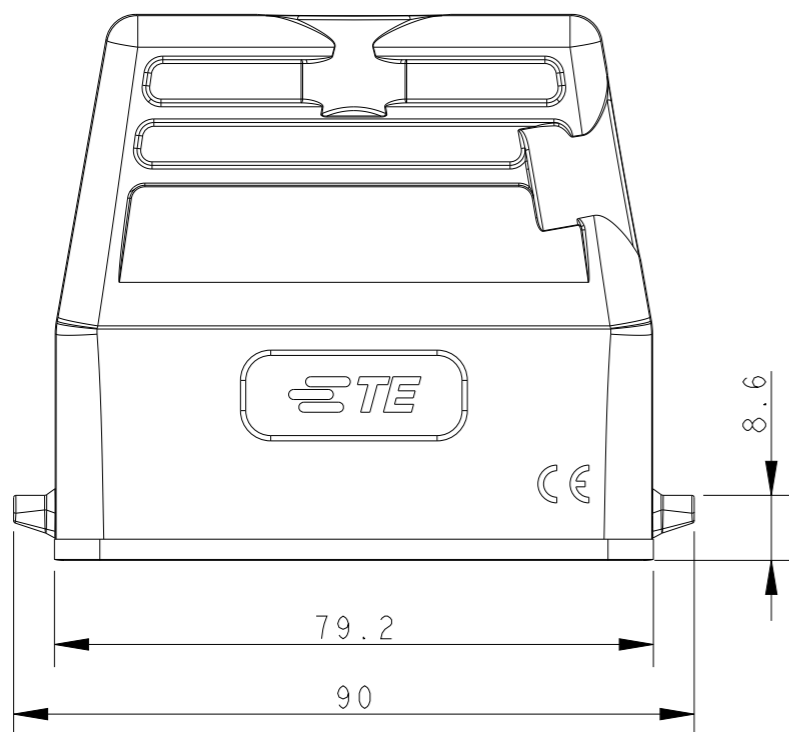
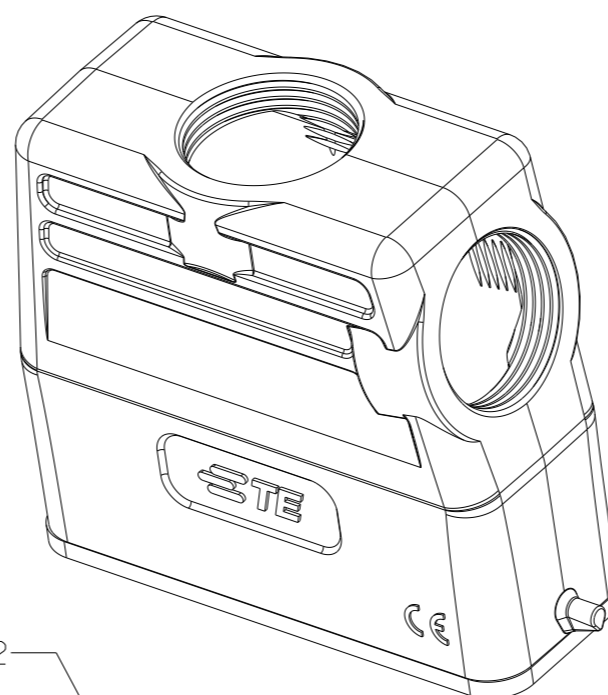
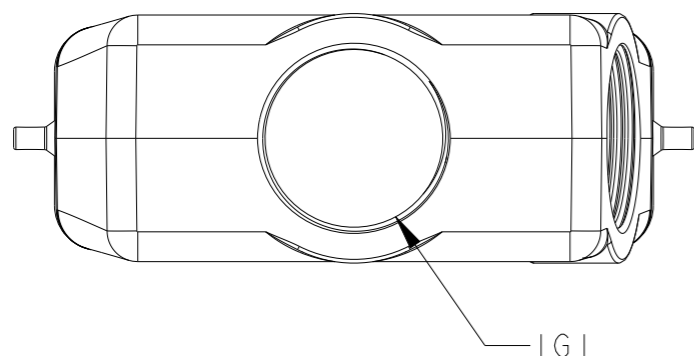


REVISIONS

| P | LTR | DESCRIPTION | DATE | DWN | APVD |
|---|-----|-----------------|-----------|-----|------|
| | A | INITIAL RELEASE | 07MAY2015 | DL | CW |
| | B | ECR-20-009510 | 28DEC2020 | BS | CW |
| | BI | ECR-21-105988 | 28JUL2021 | BS | CW |

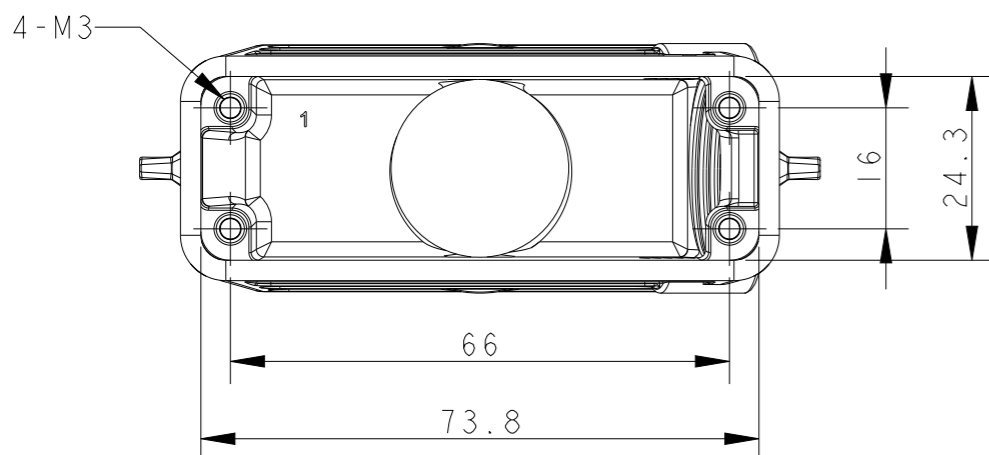


NOTES:


- 1. TECHNICAL CHARACTERISTICS:
 BODY MATERIAL: DIE CAST ALUMINIUM ALLOY
 SURFACE TREATMENT: POWDER-COATED, GRAY
 DEGREE OF PROTECTION: IP65 (MATED)

注释:

- 1. 技术参数:
 主体材料: 铝合金
 表面处理: 粉末喷涂, 灰色
 防护等级: IP65(配合)



| | | | |
|----------------------|---------------------------|-----|-----|
| T13X9162525-000 | H16A-TS/GH-2M25 | M25 | M25 |
| ASSEMBLY PART NUMBER | ASSEMBLY PART DESCRIPTION | IG1 | IG2 |

| | | | | | |
|---|--|--|---|------------------------------|---------------|
| THIS DRAWING IS A CONTROLLED DOCUMENT. | | DWN 07MAY2015 DAVID LI |  TE Connectivity NAME H16A-TS/GH-2M25 | | |
| DIMENSIONS: mm | | CHK 07MAY2015 CHRIS WANG | | | |
| TOLERANCES UNLESS OTHERWISE SPECIFIED: | | APVD 07MAY2015 XU XIANG | | | |
| 0 PLC ±- 1 PLC ±- 2 PLC ±- 3 PLC ±- 4 PLC ±- ANGLES ±- MATERIAL - FINISH - | | PRODUCT SPEC 108-137010 APPLICATION SPEC 114-137010 WEIGHT - | | | |
| | | SIZE A3 | CAGE CODE - | DRAWING NO. ©-T13X9162525000 | RESTRICTED TO |
| CUSTOMER DRAWING | | SCALE 1:1 | SHEET 1 OF 1 | REV BI | |