

4

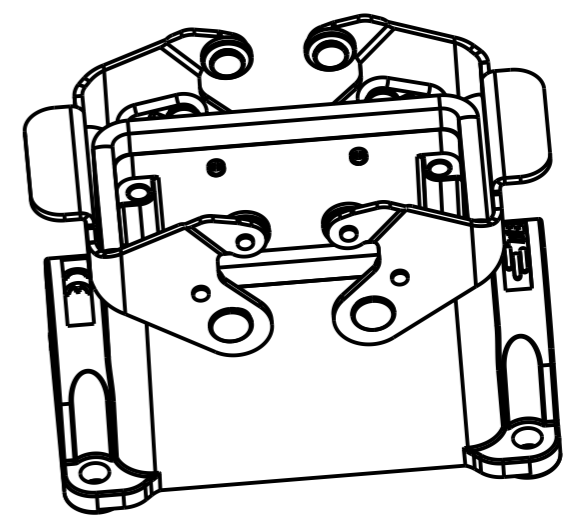
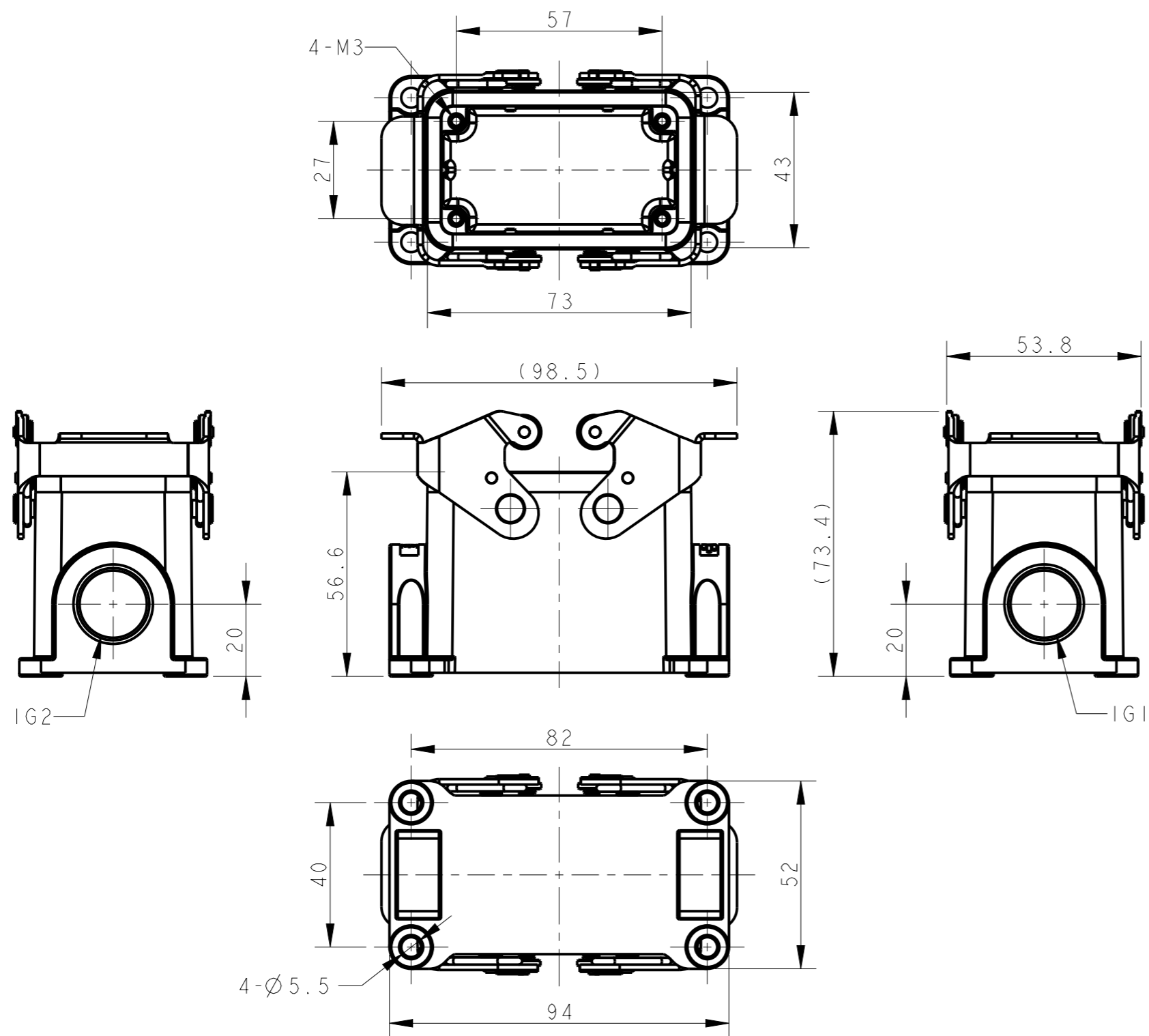
3

2

1

THIS DRAWING IS UNPUBLISHED. RELEASED FOR PUBLICATION 20
 © COPYRIGHT 20 BY - ALL RIGHTS RESERVED.

| REVISIONS | | | | | |
|-----------|-----|-----------------|-----------|-----|------|
| P | LTR | DESCRIPTION | DATE | DWN | APVD |
| A | | INITIAL RELEASE | 25JUN2015 | DL | CW |
| B | | ECR-20-008181 | 07JUL2020 | WQR | CW |
| | | | | | |



NOTES:
 1. TECHNICAL CHARACTERISTICS:
 BODY MATERIAL: DIE CAST ALUMINIUM ALLOY
 SURFACE TREATMENT: POWDER-COATED, GRAY
 DEGREE OF PROTECTION: IP65 (MATED)

注释:
 1. 技术参数:
 主体材料: 铝合金
 表面处理: 粉末喷涂, 灰色
 防护等级: IP65(配合)

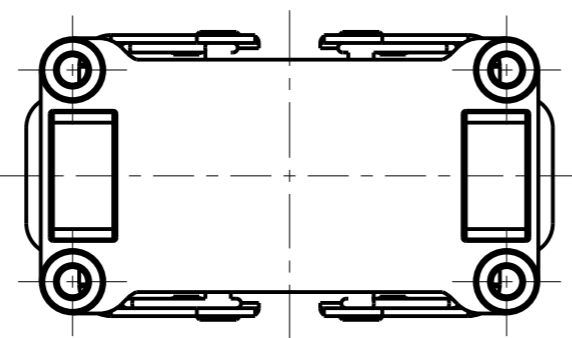
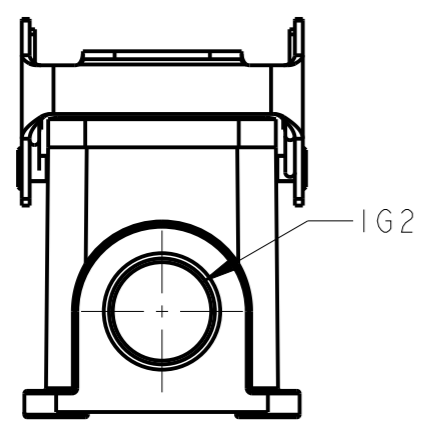
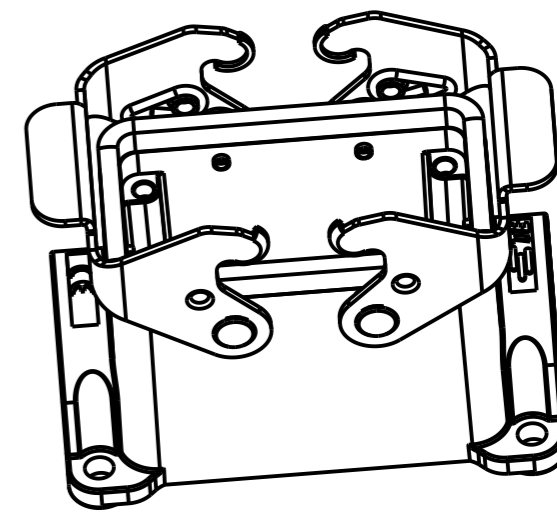
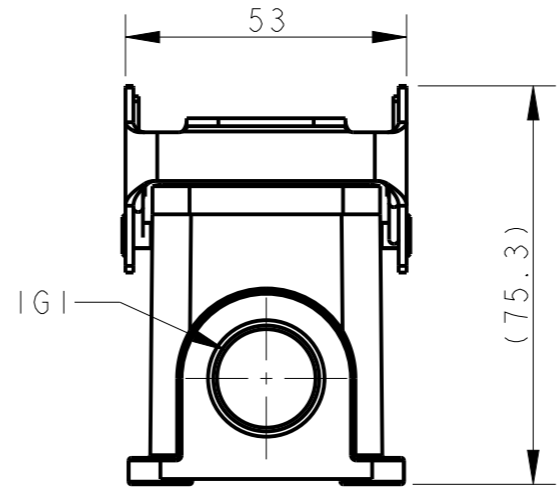
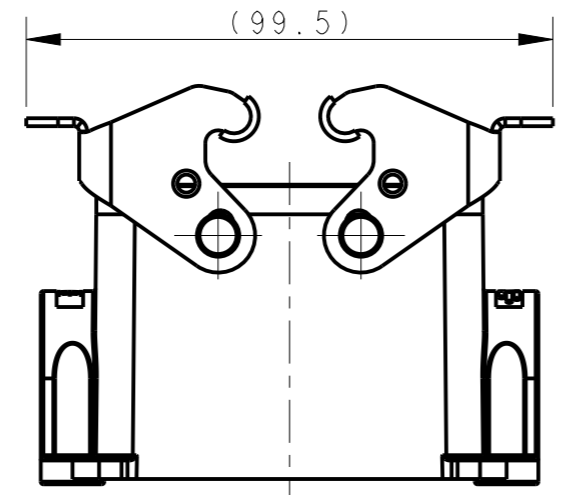
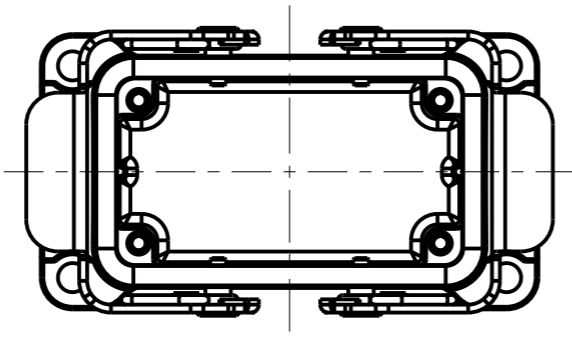
TYPE I: BODY + DOUBLE STAINLESS STEEL LOCKING

| | | | | |
|----------------------|--------|---------------------------|------|------|
| TI440101116-000 | TYPE I | H10B-SGRS-PG16 | PG16 | - |
| TI440101120-000 | | H10B-SGRS-M20 | M20 | - |
| TI440101121-000 | | H10B-SGRS-PG21 | PG21 | - |
| TI440101125-000 | | H10B-SGRS-M25 | M25 | - |
| TI440101216-000 | | H10B-SGRS-2PG16 | PG16 | PG16 |
| TI440101220-000 | | H10B-SGRS-2M20 | M20 | M20 |
| TI440101221-000 | | H10B-SGRS-2PG21 | PG21 | PG21 |
| TI440101225-000 | | H10B-SGRS-2M25 | M25 | M25 |
| ASSEMBLY PART NUMBER | TYPE | ASSEMBLY PART DESCRIPTION | IG1 | IG2 |

| | | | | | |
|---|--|--|------------|------------------|------------------------------|
| THIS DRAWING IS A CONTROLLED DOCUMENT. | | DWN | DAVID LI | 25JUN2015 | TE TE Connectivity |
| | | CHK | CHRIS WANG | 25JUN2015 | |
| | | APVD | XU XIANG | 25JUN2015 | |
| | | PRODUCT SPEC | 108-137013 | | |
| DIMENSIONS: mm | | TOLERANCES UNLESS OTHERWISE SPECIFIED: | | NAME | |
| 0 PLC ±- 1 PLC ±- 2 PLC ±- 3 PLC ±- 4 PLC ±- ANGLES ±- | | MATERIAL | | H10B-SGRS-PG/M | |
| TBD | | FINISH | | SIZE | |
| | | | | A3 | |
| | | WEIGHT | | CAGE CODE | |
| | | | | - | |
| | | CUSTOMER DRAWING | | DRAWING NO | |
| | | | | C-TI44010XXXX000 | |
| | | | | RESTRICTED TO | |
| | | | | | |
| | | | | SCALE | |
| | | | | 1:1 | |
| | | | | SHEET | |
| | | | | 1 OF 2 | |
| | | | | REV | |
| | | | | B | |

REVISIONS

| P | LTR | DESCRIPTION | DATE | DWN | APVD |
|---|-----|-------------|------|-----|------|
| - | | SEE SHEET 1 | - | - | - |



TYPE 2: BODY + DOUBLE STEEL LOCKING
OTHER SPEC REFER TO TYPE 1

| TI440102116-000 | TYPE 2 | HI0B-SGR-PG16 | PG16 | - |
|----------------------|--------|---------------------------|------|------|
| TI440102120-000 | | HI0B-SGR-M20 | M20 | - |
| TI440102121-000 | | HI0B-SGR-PG21 | PG21 | - |
| TI440102125-000 | | HI0B-SGR-M25 | M25 | - |
| TI440102216-000 | | HI0B-SGR-2PG16 | PG16 | PG16 |
| TI440102220-000 | | HI0B-SGR-2M20 | M20 | M20 |
| TI440102221-000 | | HI0B-SGR-2PG21 | PG21 | PG21 |
| TI440102225-000 | | HI0B-SGR-2M25 | M25 | M25 |
| TI440102516-000 | | HI0B-SGR-M25/PG16 | M25 | PG16 |
| TI440102520-000 | | HI0B-SGR-M25/M20 | M25 | M20 |
| ASSEMBLY PART NUMBER | TYPE | ASSEMBLY PART DESCRIPTION | IG1 | IG2 |

THIS DRAWING IS A CONTROLLED DOCUMENT.

| | |
|-------------------|--|
| DIMENSIONS: mm | TOLERANCES UNLESS OTHERWISE SPECIFIED: |
| | 0 PLC ±- |
| | 1 PLC ±- |
| | 2 PLC ±- |
| | 3 PLC ±- |
| | 4 PLC ±- |
| | ANGLES ±- |
| MATERIAL TBD | FINISH - |

| | | |
|------------------|------------|-----------|
| DWN | DAVID LI | 25JUN2015 |
| CHK | CHRIS WANG | 25JUN2015 |
| APVD | XU XIANG | 25JUN2015 |
| PRODUCT SPEC | 108-137013 | |
| APPLICATION SPEC | 114-137013 | |
| WEIGHT | - | |
| CUSTOMER DRAWING | | |

STE TE Connectivity

NAME: HI0B-SGR-PG/M

| | | | |
|------|-----------|------------------|---------------|
| SIZE | CAGE CODE | DRAWING NO | RESTRICTED TO |
| A3 | - | ©-TI44010XXXX000 | |

SCALE: 7:10 SHEET: 2 OF 2 REV: B