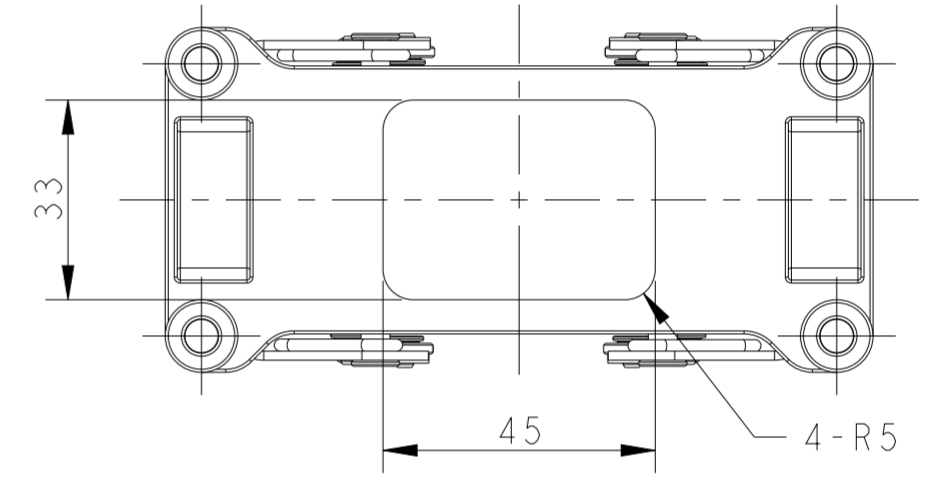
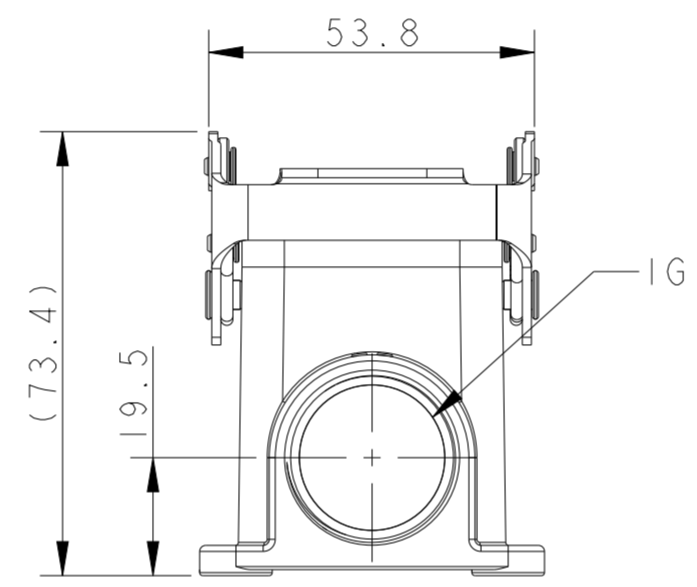
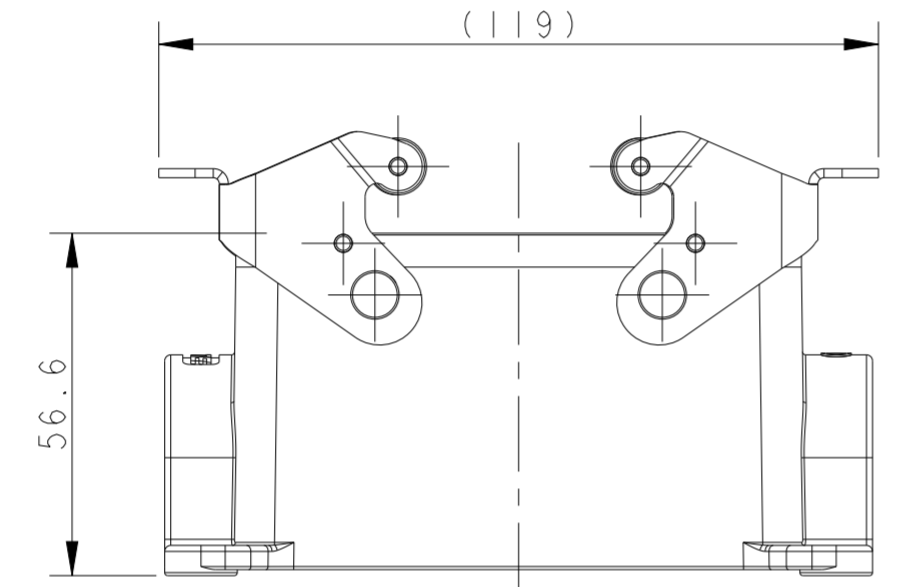
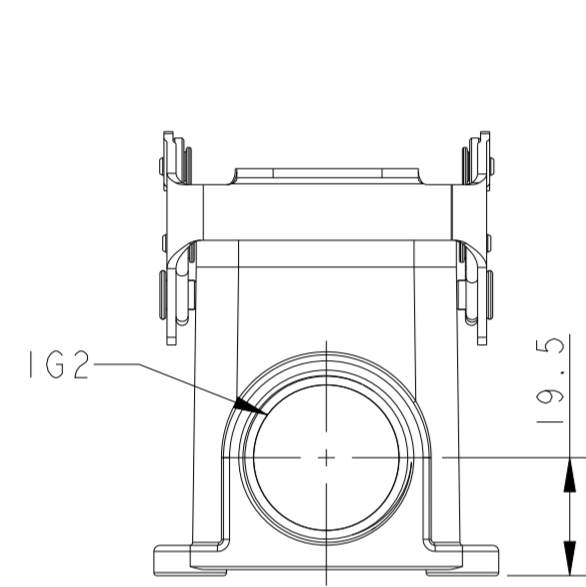
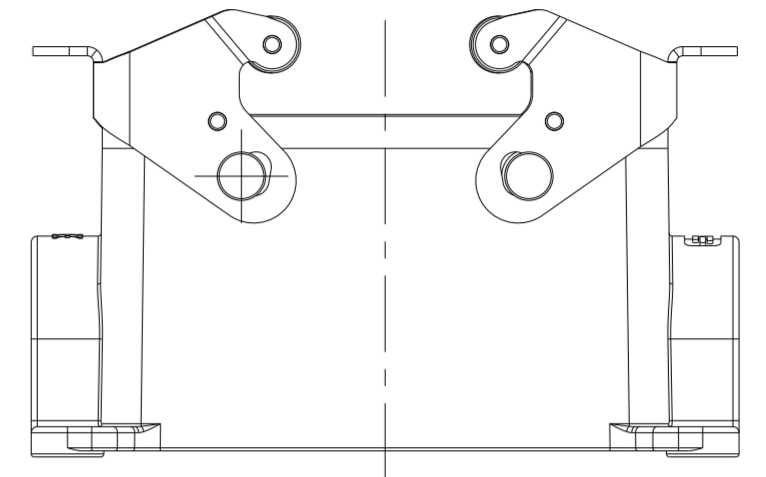
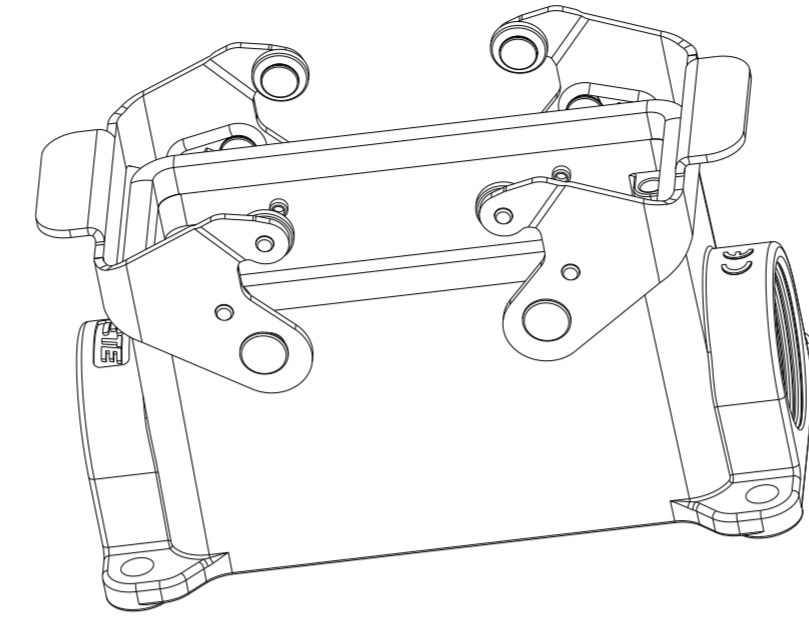
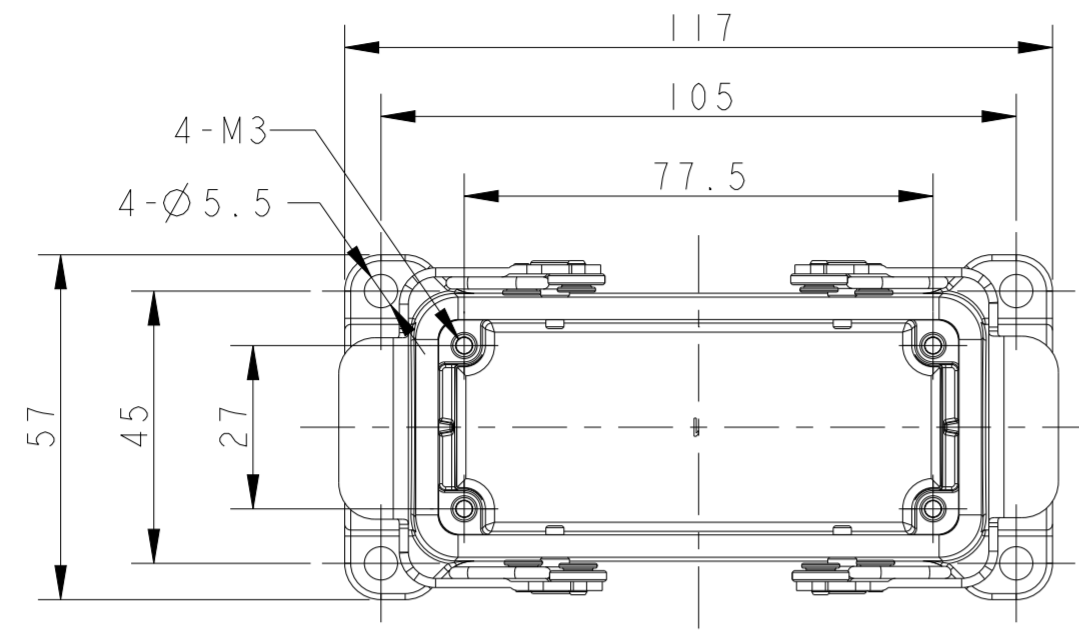


THIS DRAWING IS UNPUBLISHED. RELEASED FOR PUBLICATION 20  
 © COPYRIGHT 20 BY - ALL RIGHTS RESERVED.

REVISIONS					
P	LTR	DESCRIPTION	DATE	DWN	APVD
A		INITIAL RELEASE	19JUN2015	DL	CW
B		ECR-20-008190	09SEP2020	WOR	CW

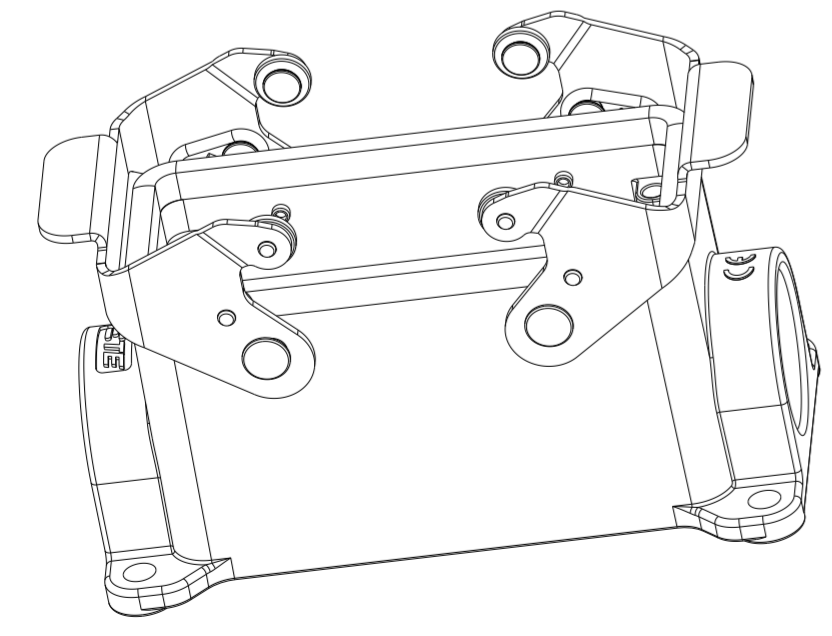


TYPE 1: BODY + STAINLESS STEEL LOCKING

TYPE 3: BODY + STAINLESS STEEL LOCKING  
 BOTTOM CUT OUT  
 OTHER SPEC REFER TO TYPE 1

NOTES:  
 1. TECHNICAL CHARACTERISTICS:  
 BODY MATERIAL: DIE CAST ALUMINIUM ALLOY  
 SURFACE TREATMENT: POWDER-COATED, COLOR SEE TABLE  
 DEGREE OF PROTECTION: IP65 (MATED)

注释:  
 1. 技术参数:  
 主体材料: 铝合金  
 表面处理: 粉末喷涂, 颜色见表格  
 防护等级: IP65(配合)



TYPE 2: BODY + STAINLESS STEEL LOCKING  
 SILVER WHITE COATED  
 OTHER SPEC REFER TO TYPE 1

ASSEMBLY PART NUMBER	TYPE	ASSEMBLY PART DESCRIPTION	COLOR	IG1	IG2
TI440161121-000	TYPE 1	H16B-SGRS-PG21	GRAY	PG21	-
TI440161125-000		H16B-SGRS-M25		M25	-
TI440161221-000		H16B-SGRS-2PG21		PG21	PG21
TI440161225-000		H16B-SGRS-2M25		M25	M25
TI440161121-100	TYPE 2	H16B-SGRS-PG21	SILVER WHITE	PG21	-
TI440160000-000	TYPE 3	H16B-SGRS-T	GRAY	-	-

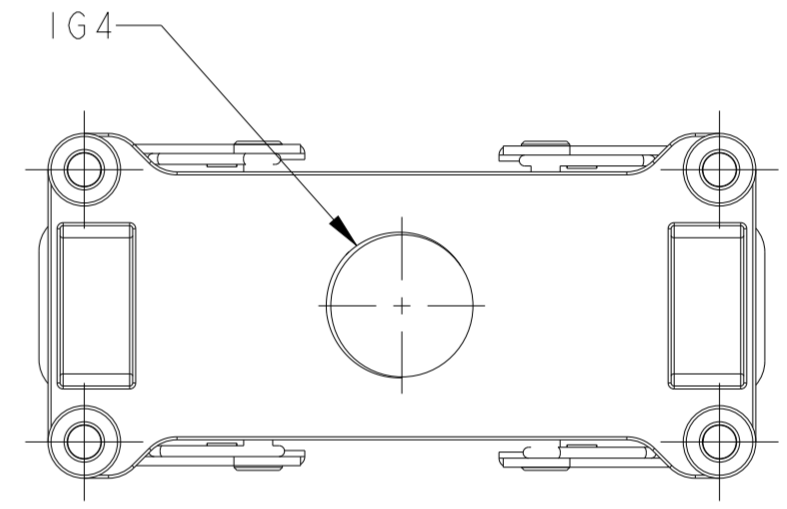
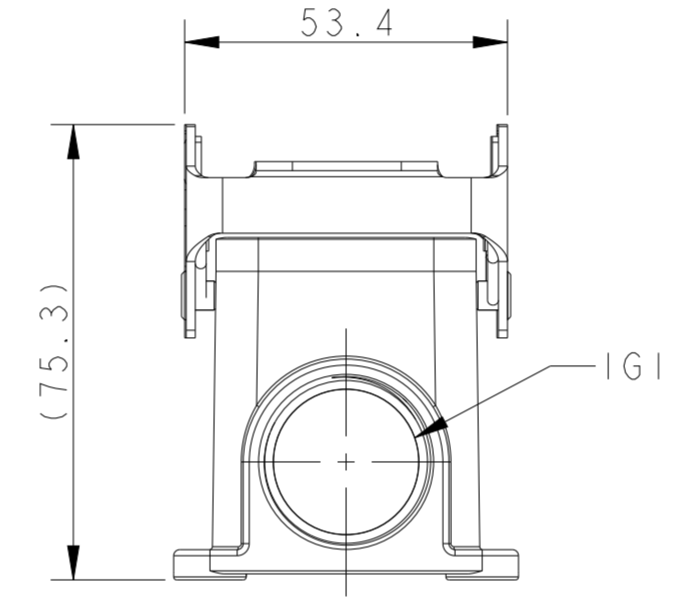
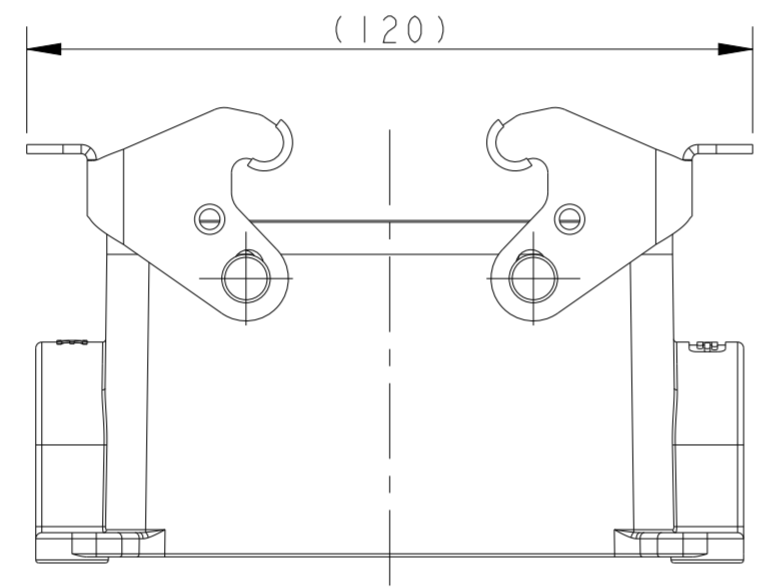
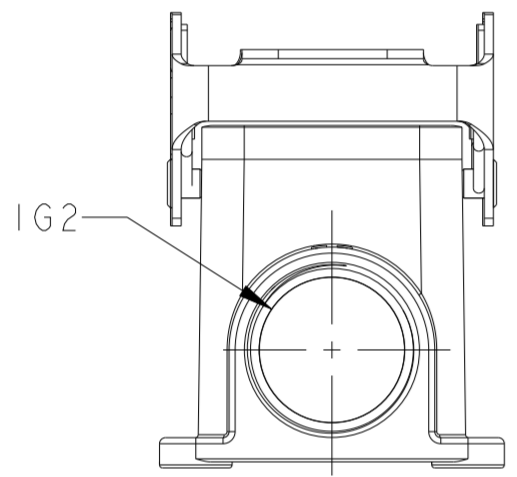
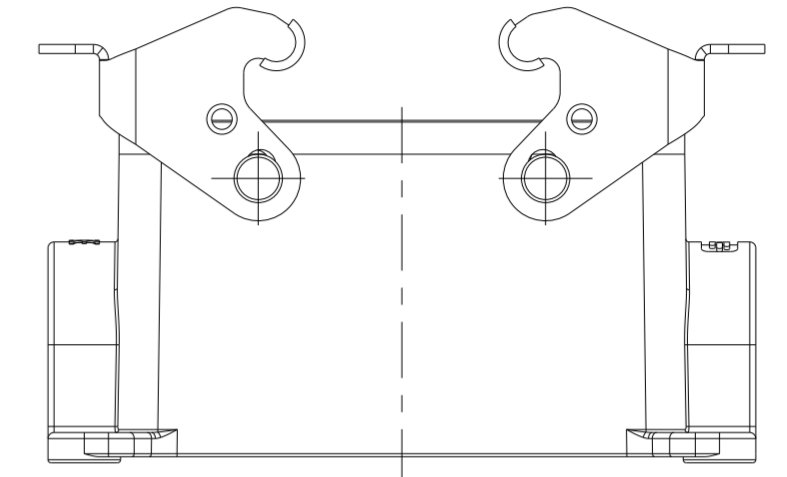
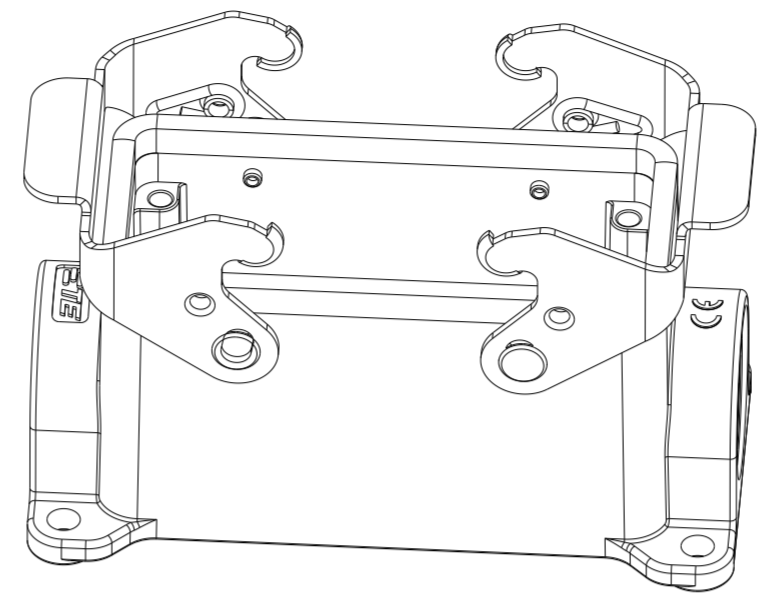
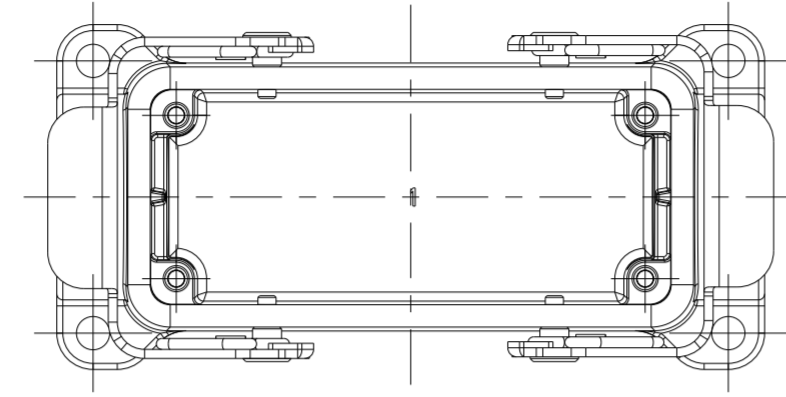
THIS DRAWING IS A CONTROLLED DOCUMENT.

DWN DAVID LI 19JUN2015	TE Connectivity
CHK CHRIS WANG 19JUN2015	
APVD XU XIANG 19JUN2015	
NAME H16B-SGRS-PG/M	
DIMENSIONS: mm	PRODUCT SPEC 108-137013
TOLERANCES UNLESS OTHERWISE SPECIFIED:	APPLICATION SPEC 114-137013
0 PLC ±	SIZE A2
1 PLC ±	CAGE CODE -
2 PLC ±	DRAWING NO. C-TI44016XXXXX00
3 PLC ±	RESTRICTED TO
4 PLC ±	SCALE 1:1
ANGLES ±	SHEET 1 OF 2
FINISH -	REV B

CUSTOMER DRAWING

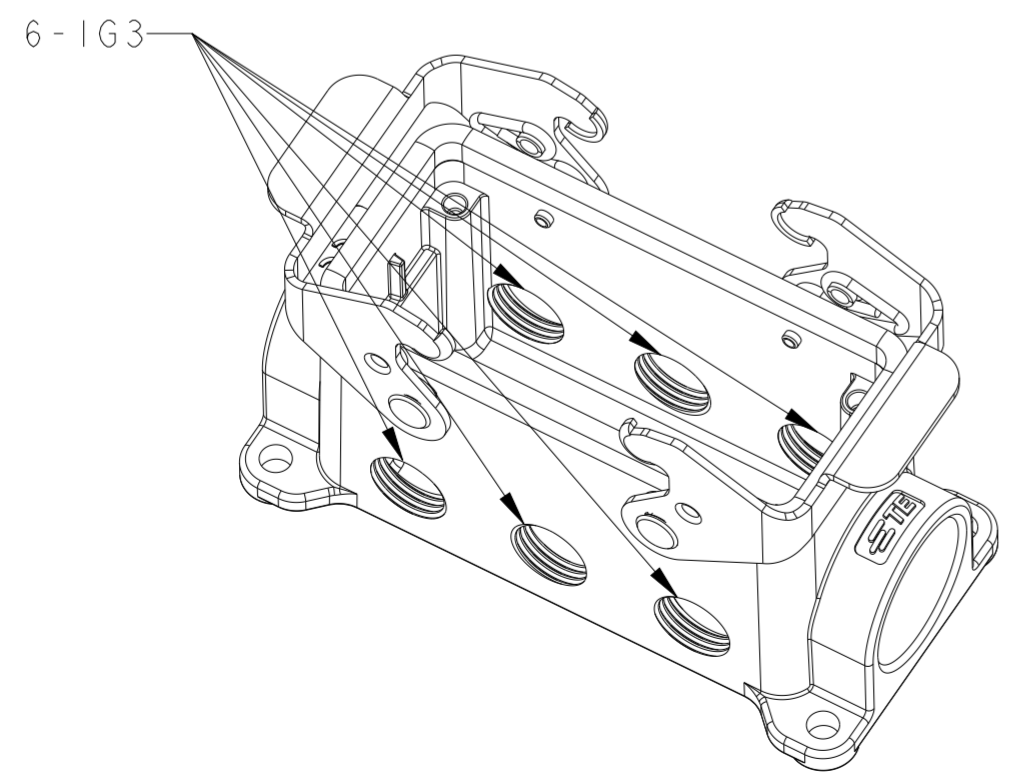
THIS DRAWING IS UNPUBLISHED. RELEASED FOR PUBLICATION 20  
 © COPYRIGHT 20 BY - ALL RIGHTS RESERVED.

REVISIONS				
P	LTR	DESCRIPTION	DATE	APVD
-		SEE SHEET 1	-	-



TYPE 4: BODY + STEEL LOCKING  
 OTHER SPEC REFER TO TYPE 1

TYPE 6: BODY + STEEL LOCKING  
 BOTTOM 1 HOLE  
 OTHER SPEC REFER TO TYPE 4



TYPE 5: BODY+ STEEL LOCKING  
 FRONT/BACK 6 HOLE  
 OTHER SPEC REFER TO TYPE 4

ASSEMBLY PART NUMBER	TYPE	ASSEMBLY PART DESCRIPTION	COLOR	IG1	IG2	IG3	IG4
TI440162121-000	TYPE 4	HI6B-SGR-PG21	GRAY	PG21	-	-	-
TI440162125-000		HI6B-SGR-M25		M25	-	-	-
TI440162221-000		HI6B-SGR-2PG21		PG21	PG21	-	-
TI440162225-000		HI6B-SGR-2M25		M25	M25	-	-
TI440161625-000		HI6B-SGR-M25/PG16		M25	PG16	-	-
TI440162521-000		HI6B-SGR-M25/PG21		M25	PG21	-	-
TI440162532-000		HI6B-SGR-M25/M32		M25	M32	-	-
TI440162609-000	TYPE 5	HI6B-SGR-6PG9	-	-	PG9	-	
TI440165125-000	TYPE 6	HI6B-SGR-TM25	-	-	-	M25	

THIS DRAWING IS A CONTROLLED DOCUMENT.

DWN DAVID LI 19JUN2015	TE Connectivity	
CHK CHRIS WANG 19JUN2015		
APVD XU XIANG 19JUN2015		
NAME HI6B-SGR-PG/M		
DIMENSIONS: mm	TOLERANCES UNLESS OTHERWISE SPECIFIED:	PRODUCT SPEC 108-137013
0 PLC ±	1 PLC ±	APPLICATION SPEC 114-137013
2 PLC ±	3 PLC ±	WEIGHT -
4 PLC ±	ANGLES ±	FINISH -
MATERIAL -	FINISH -	CUSTOMER DRAWING

SIZE A2	CAGE CODE -	DRAWING NO. C-TI44016XXXXX00	RESTRICTED TO
SCALE 4:5	SHEET 2 OF 2	REV B	