

THIS DRAWING IS UNPUBLISHED.

RELEASED FOR PUBLICATION

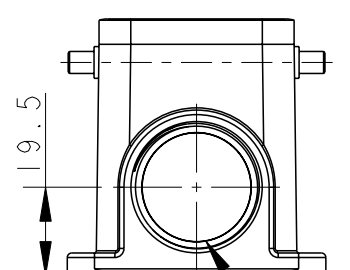
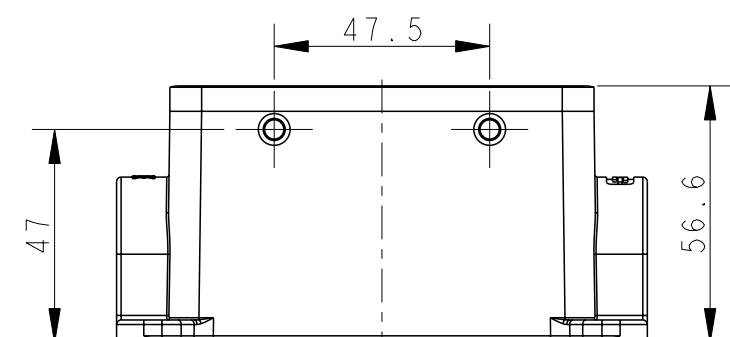
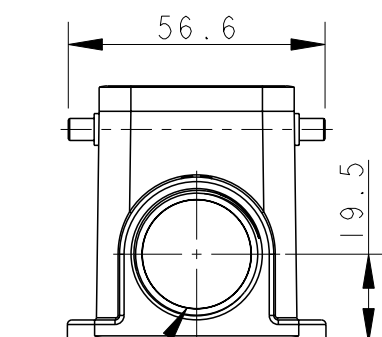
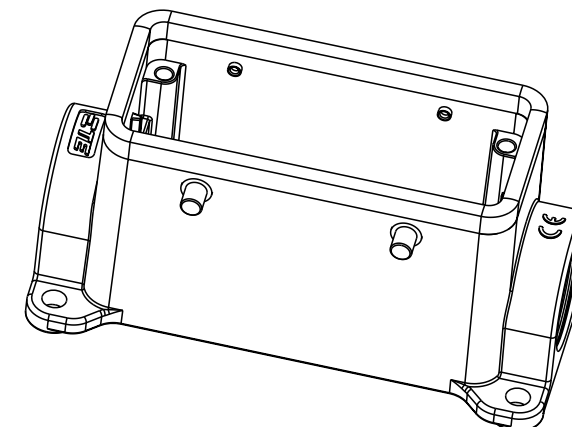
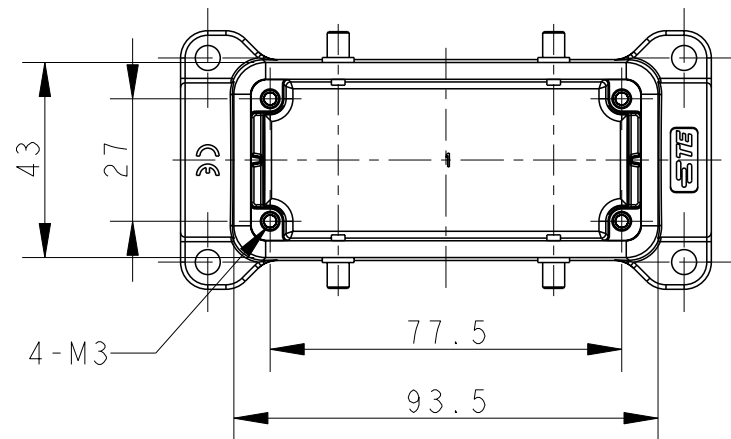
20

© COPYRIGHT 20 BY -

ALL RIGHTS RESERVED.

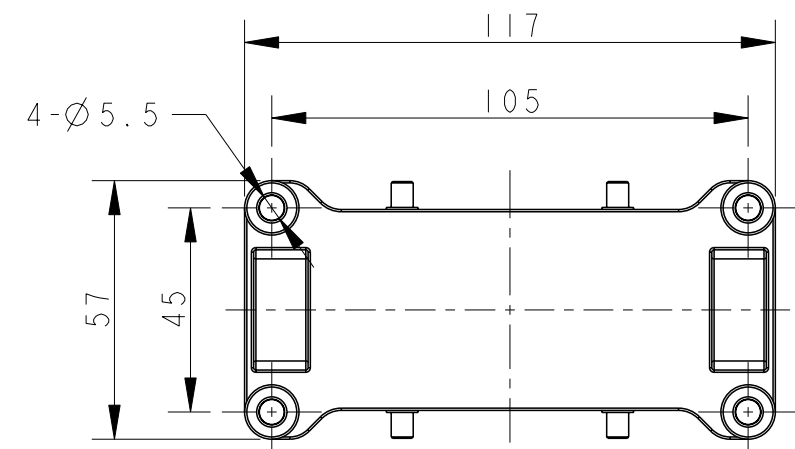
REVISIONS

| P | LTR | DESCRIPTION     | DATE      | DWN | APVD |
|---|-----|-----------------|-----------|-----|------|
| A |     | INITIAL RELEASE | 05JUL2015 | DL  | CW   |
| B |     | ECR-20-008190   | 09SEP2020 | WQR | CW   |
|   |     |                 |           |     |      |
|   |     |                 |           |     |      |



NOTES:  
 1. TECHNICAL CHARACTERISTICS:  
 BODY MATERIAL: DIE CAST ALUMINIUM ALLOY  
 SURFACE TREATMENT: POWDER-COATED, GRAY  
 DEGREE OF PROTECTION: IP65 (MATED)

注释:  
 1. 技术参数:  
 主体材料: 铝合金  
 表面处理: 粉末喷涂, 灰色  
 防护等级: IP65(配合)



|                      |                           |      |      |
|----------------------|---------------------------|------|------|
| TI450160121-000      | HI6B-SGR-BO-PG21          | PG21 | -    |
| TI450160125-000      | HI6B-SGR-BO-M25           | M25  | -    |
| TI450160221-000      | HI6B-SGR-BO-2PG21         | PG21 | PG21 |
| TI450162125-000      | HI6B-SGR-BO-PG21/M25      | PG21 | M25  |
| ASSEMBLY PART NUMBER | ASSEMBLY PART DESCRIPTION | IG1  | IG2  |

|  |    |                                |              |                |                                |               |    |       |    |       |    |       |    |        |
|--|----|--------------------------------|--------------|----------------|--------------------------------|---------------|----|-------|----|-------|----|-------|----|--------|
| THIS DRAWING IS A CONTROLLED DOCUMENT.   |    | DWN 05JUL2015<br>DAVID LI      |              |                |                                |               |    |       |    |       |    |       |    |        |
| DIMENSIONS: mm   |    | CHK 05JUL2015<br>CHRIS WANG    |              |                | NAME<br>HI6B-SGR-BO-PG/M       |               |    |       |    |       |    |       |    |        |
| TOLERANCES UNLESS OTHERWISE SPECIFIED:   |    | APVD 05JUL2015<br>XU XIANG     |              |                |                                |               |    |       |    |       |    |       |    |        |
| <table border="0"> <tr><td>0 PLC</td><td>±-</td></tr> <tr><td>1 PLC</td><td>±-</td></tr> <tr><td>2 PLC</td><td>±-</td></tr> <tr><td>3 PLC</td><td>±-</td></tr> <tr><td>4 PLC</td><td>±-</td></tr> <tr><td>ANGLES</td><td>±-</td></tr> </table> |    | 0 PLC                          |              |                | ±-                             | 1 PLC         | ±- | 2 PLC | ±- | 3 PLC | ±- | 4 PLC | ±- | ANGLES |
| 0 PLC  | ±- |                                |              |                |                                |               |    |       |    |       |    |       |    |        |
| 1 PLC  | ±- |                                |              |                |                                |               |    |       |    |       |    |       |    |        |
| 2 PLC  | ±- |                                |              |                |                                |               |    |       |    |       |    |       |    |        |
| 3 PLC  | ±- |                                |              |                |                                |               |    |       |    |       |    |       |    |        |
| 4 PLC  | ±- |                                |              |                |                                |               |    |       |    |       |    |       |    |        |
| ANGLES   | ±- |                                |              |                |                                |               |    |       |    |       |    |       |    |        |
| MATERIAL   |    | APPLICATION SPEC<br>114-137013 | SIZE<br>A3   | CAGE CODE<br>- | DRAWING NO<br>C-TI45016XXXX000 | RESTRICTED TO |    |       |    |       |    |       |    |        |
|  |    | WEIGHT<br>-                    | SCALE<br>3:5 |                | SHEET<br>1 OF 1                | REV<br>B      |    |       |    |       |    |       |    |        |
|  |    | CUSTOMER DRAWING               |              |                |                                |               |    |       |    |       |    |       |    |        |

printed on 14 Apr 2021 13:34 (China Standard Time) from TE343646

A