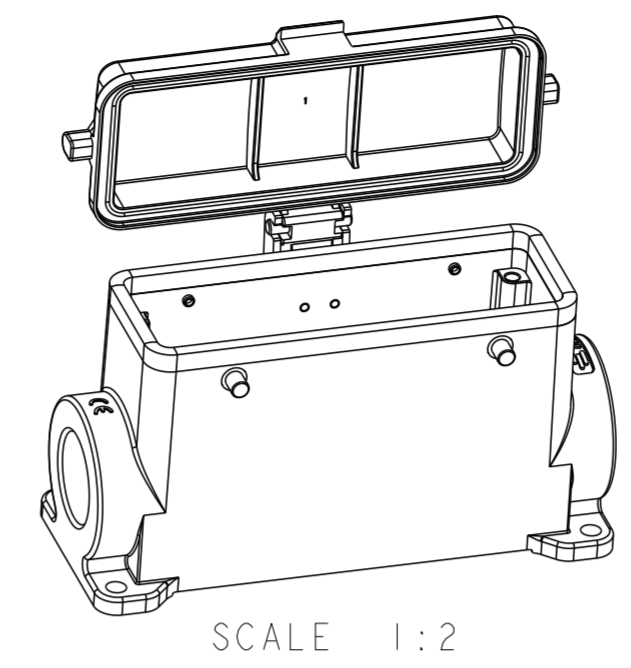
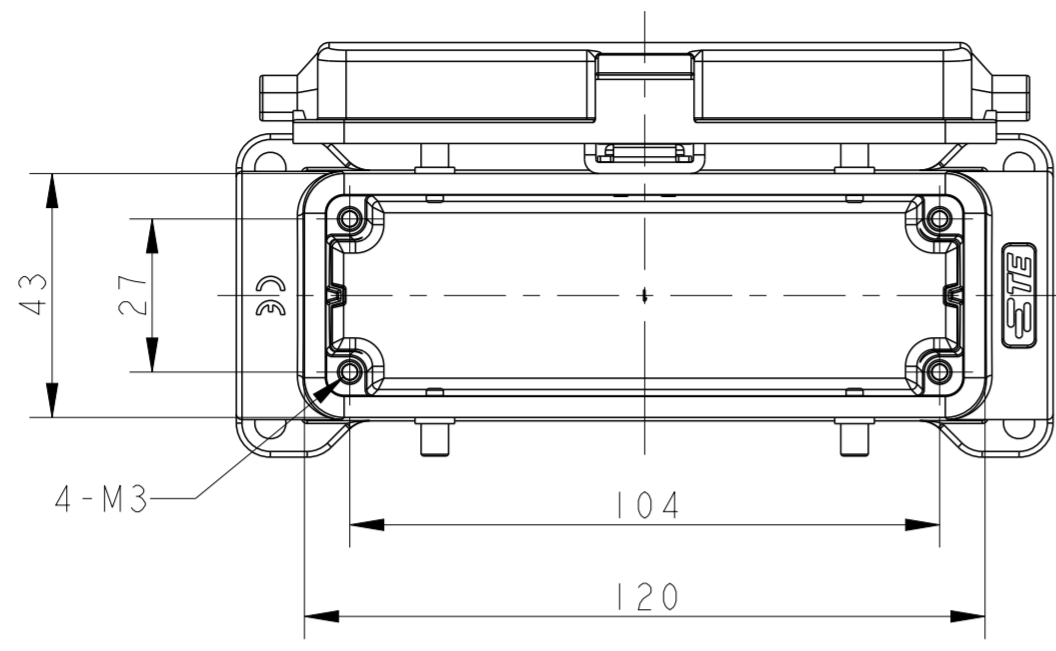


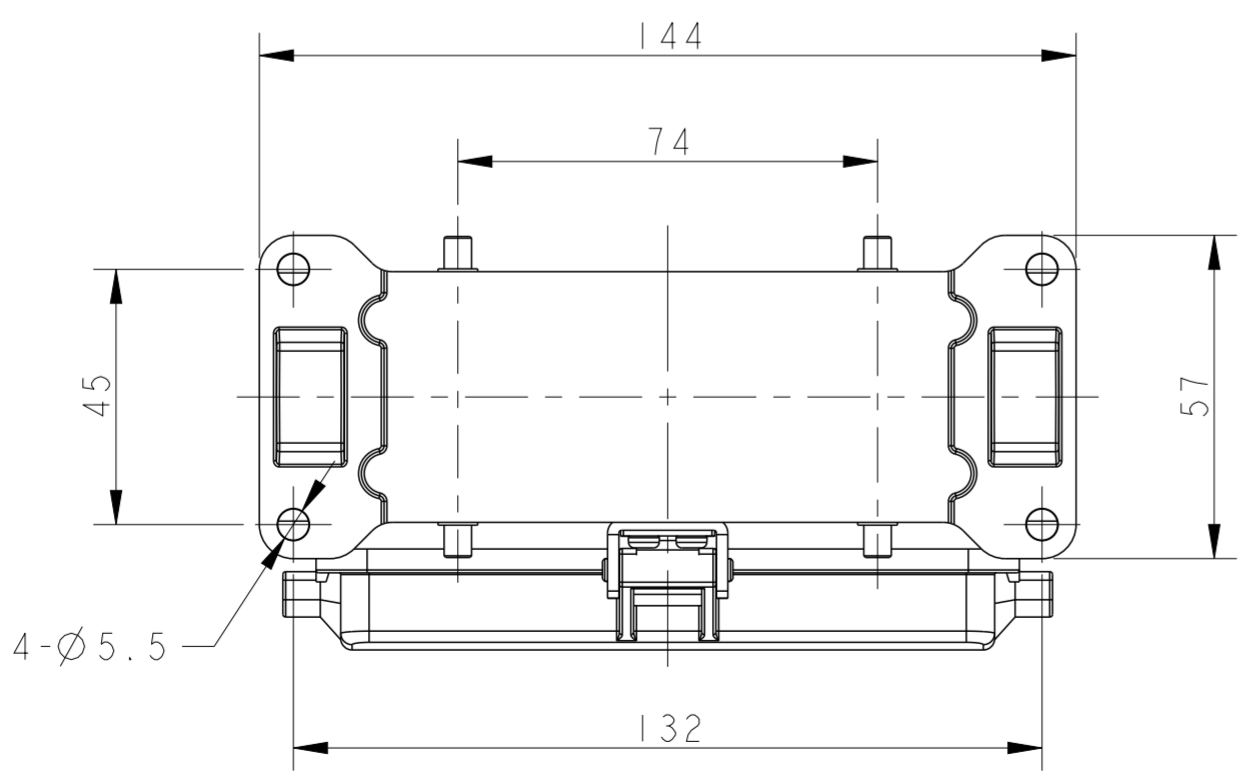
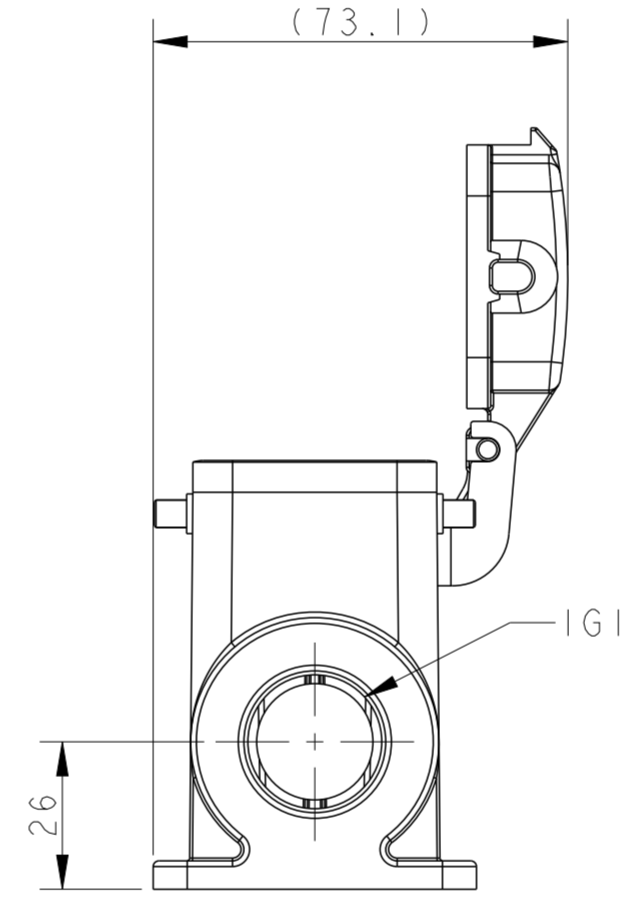
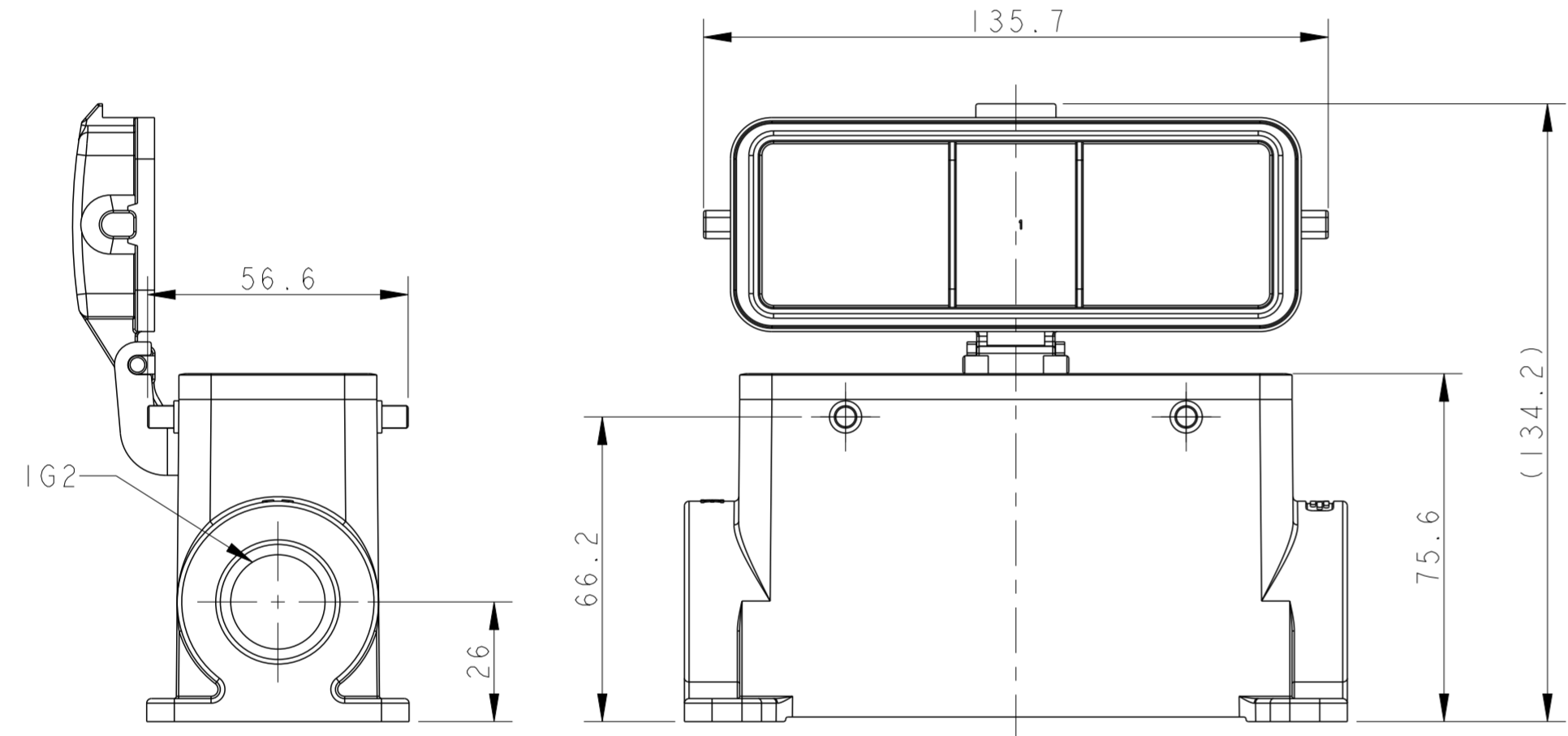
THIS DRAWING IS UNPUBLISHED. RELEASED FOR PUBLICATION 20
 © COPYRIGHT 20 BY - ALL RIGHTS RESERVED.

REVISIONS					
P	LTR	DESCRIPTION	DATE	DWN	APVD
A		INITIAL RELEASE	17JUN2015	DL	CW
AI		ECR-18-019196	11DEC2018	WOR	CW
B		ECR-20-014876	23JUL2021	WOR	CW
C		ECR-23-195696	09MAY2024	BS	CW



NOTES:
 1. TECHNICAL CHARACTERISTICS:
 BODY MATERIAL: DIE CAST ALUMINIUM ALLOY
 SURFACE TREATMENT: POWDER-COATED, GRAY
 DEGREE OF PROTECTION: IP65 (MATED)

注释:
 1. 技术参数:
 主体材料: 铝合金
 表面处理: 粉末喷涂, 灰色
 防护等级: IP65(配合)



PART NUMBER	DESCRIPTION	1G1	1G2	TYPE	
TI490240121-000	H24B-SDRH-BO-PG21 H24B HOUSING, SURFACE MOUNTED, 4 EAR, PG21, HIGH CONSTRUCTION, PLASTIC PROTECTION COVER, POWDER COATED, GREY H24B下壳, 表面安装, 4耳, PG21, 高结构, 带塑料保护盖, 灰色粉末喷涂	PG21	-	TYPE I 类型 I	
TI490240125-000	H24B-SDRH-BO-M25 H24B HOUSING, SURFACE MOUNTED, 4 EAR, M25, HIGH CONSTRUCTION, PLASTIC PROTECTION COVER, POWDER COATED, GREY H24B下壳, 表面安装, 4耳, M25, 高结构, 带塑料保护盖, 灰色粉末喷涂	M25	-		
TI490240129-000	H24B-SDRH-BO-PG29 H24B HOUSING, SURFACE MOUNTED, 4 EAR, PG29, HIGH CONSTRUCTION, PLASTIC PROTECTION COVER, POWDER COATED, GREY H24B下壳, 表面安装, 4耳, PG29, 高结构, 带塑料保护盖, 灰色粉末喷涂	PG29	-		
TI490240132-000	H24B-SDRH-BO-M32 H24B HOUSING, SURFACE MOUNTED, 4 EAR, M32, HIGH CONSTRUCTION, PLASTIC PROTECTION COVER, POWDER COATED, GREY H24B下壳, 表面安装, 4耳, M32, 高结构, 带塑料保护盖, 灰色粉末喷涂	M32	-		
TI490240221-000	H24B-SDRH-BO-2PG21 H24B HOUSING, SURFACE MOUNTED, 4 EAR, 2PG21, HIGH CONSTRUCTION, PLASTIC PROTECTION COVER, POWDER COATED, GREY H24B下壳, 表面安装, 4耳, 2PG21, 高结构, 带塑料保护盖, 灰色粉末喷涂	PG21	PG21		
TI490240225-000	H24B-SDRH-BO-2M25 H24B HOUSING, SURFACE MOUNTED, 4 EAR, 2M25, HIGH CONSTRUCTION, PLASTIC PROTECTION COVER, POWDER COATED, GREY H24B下壳, 表面安装, 4耳, 2M25, 高结构, 带塑料保护盖, 灰色粉末喷涂	M25	M25		
TI490240229-000	H24B-SDRH-BO-2PG29 H24B HOUSING, SURFACE MOUNTED, 4 EAR, 2PG29, HIGH CONSTRUCTION, PLASTIC PROTECTION COVER, POWDER COATED, GREY H24B下壳, 表面安装, 4耳, 2PG29, 高结构, 带塑料保护盖, 灰色粉末喷涂	PG29	PG29		
TI490240232-000	H24B-SDRH-BO-2M32 H24B HOUSING, SURFACE MOUNTED, 4 EAR, 2M32, HIGH CONSTRUCTION, PLASTIC PROTECTION COVER, POWDER COATED, GREY H24B下壳, 表面安装, 4耳, 2M32, 高结构, 带塑料保护盖, 灰色粉末喷涂	M32	M32		
		1G1	1G2		TYPE 类型

TYPE I: HIGH CONSTRUCTION + PLASTIC PROTECTION COVER
 类型 I: 高结构+带塑料保护盖

THIS DRAWING IS A CONTROLLED DOCUMENT.

DWN DAVID LI 17JUN2015
 CHK CHRIS WANG 17JUN2015
 APVD XU XIANG 17JUN2015

TE Connectivity

NAME H24B-SDRH/SDRHM-BO-PG/M

PRODUCT SPEC 108-137013
 APPLICATION SPEC 114-137013

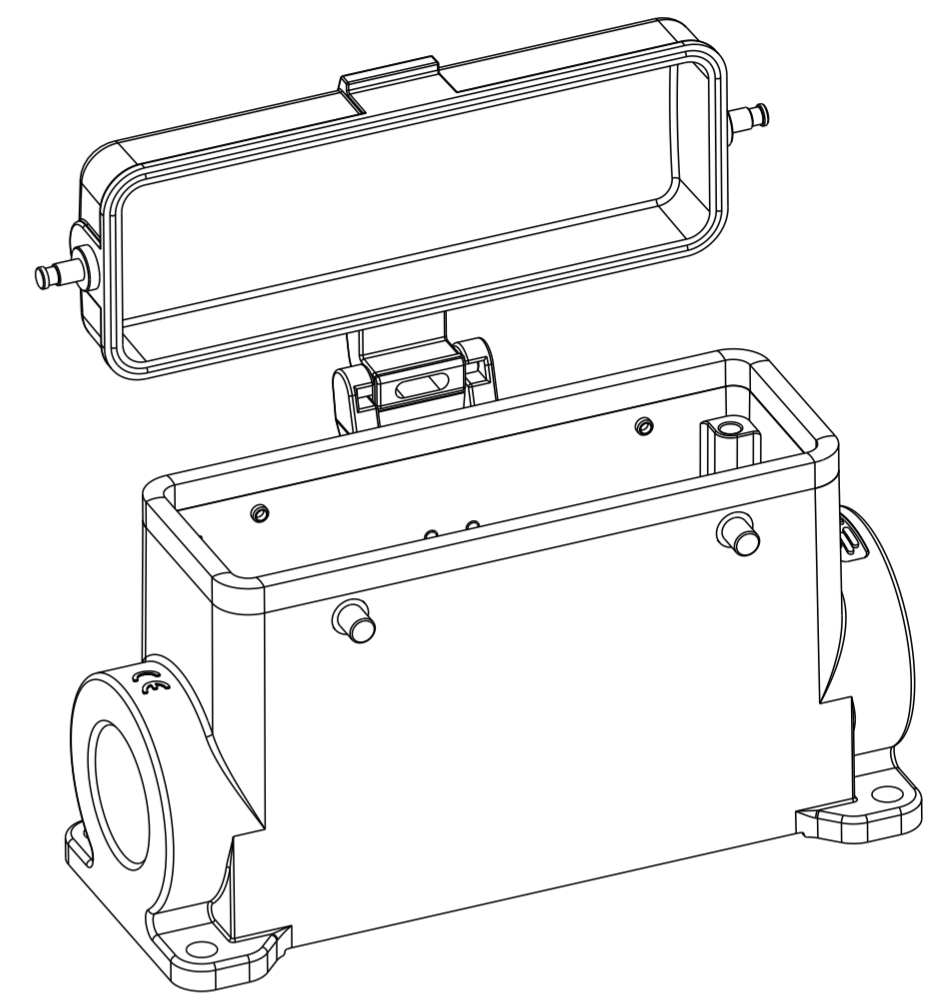
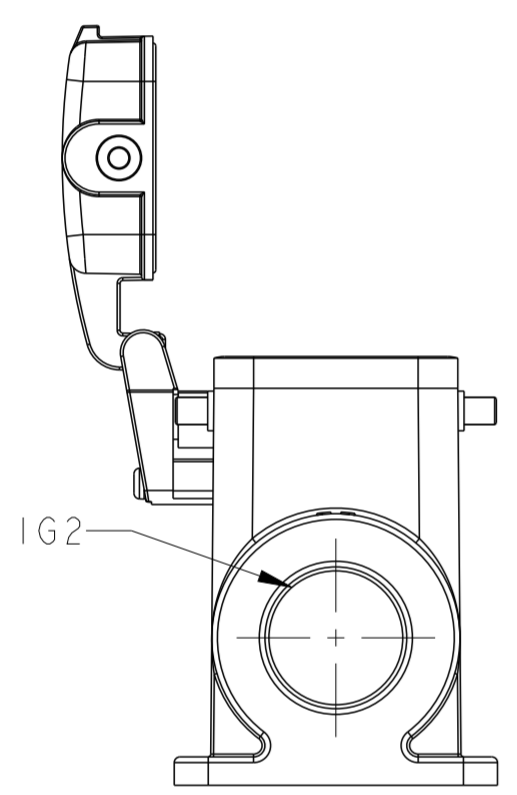
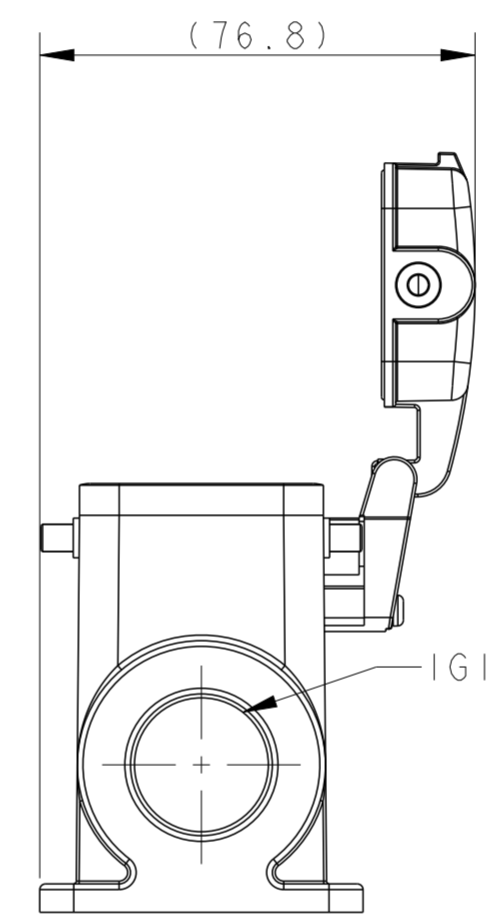
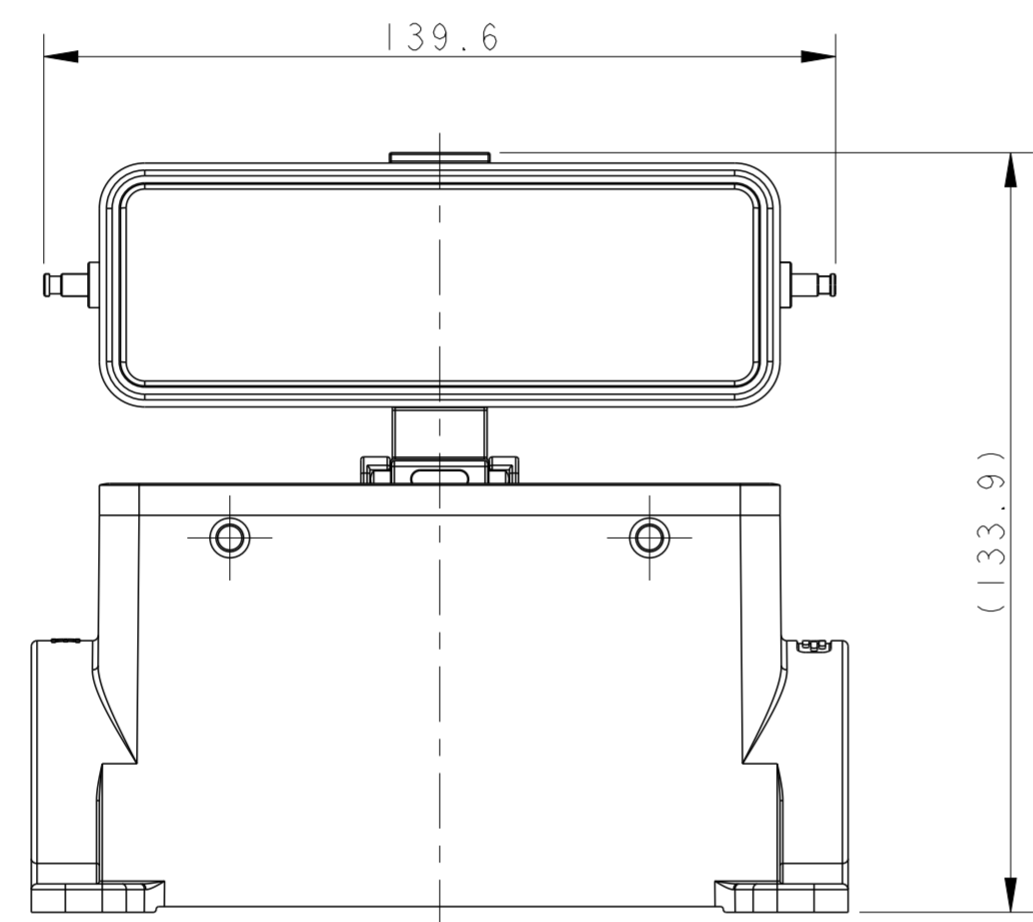
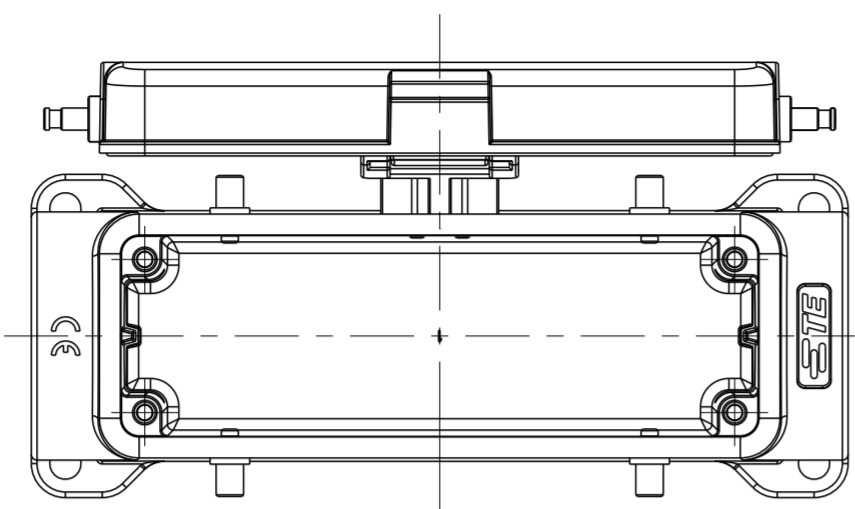
SIZE A2 CAGE CODE - DRAWING NO. C-TI49024XXXX000 RESTRICTED TO

WEIGHT - SCALE 3:4 SHEET 1 OF 2 REV C

CUSTOMER DRAWING

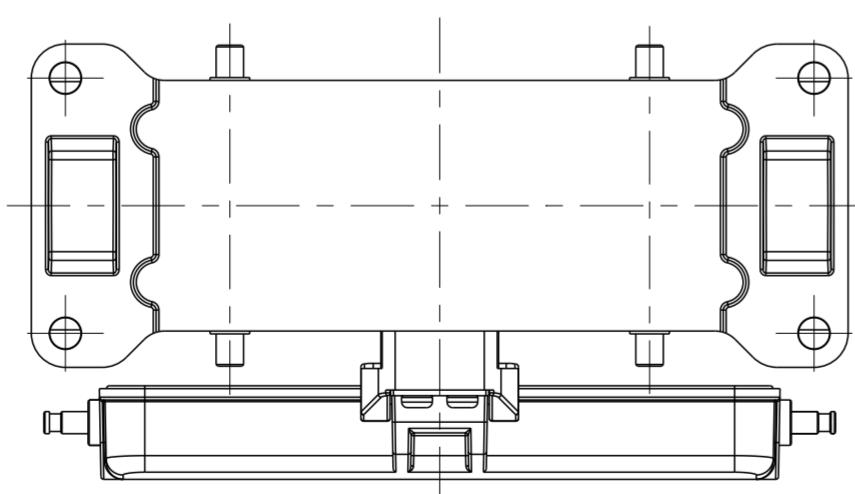
THIS DRAWING IS UNPUBLISHED. RELEASED FOR PUBLICATION 20
 © COPYRIGHT 20 BY - ALL RIGHTS RESERVED.

REVISIONS				
P	LTR	DESCRIPTION	DATE	APVD
-	-	SEE SHEET 1	-	-



NOTES:
SEE SHEET 1

注释:
见表 1



TYPE 2: HIGH CONSTRUCTION + METAL PROTECTION COVER
 OTHER SPEC REFER TO TYPE 1
 类型 2: 高结构+带金属保护盖保护盖
 其余规范参考类型 1

PART NUMBER	DESCRIPTION	IG1	IG2	TYPE
T1490241121-000	H24B HOUSING, SURFACE MOUNTED, 4 EAR, PG21, HIGH CONSTRUCTION, METAL PROTECTION COVER, POWDER COATED, GREY H24B外壳, 表面安装, 4耳, PG21, 高结构, 带金属保护盖, 灰色粉末喷涂	PG21	-	TYPE 2 类型 2
T1490241129-000	H24B HOUSING, SURFACE MOUNTED, 4 EAR, PG29, HIGH CONSTRUCTION, METAL PROTECTION COVER, POWDER COATED, GREY H24B外壳, 表面安装, 4耳, PG29, 高结构, 带金属保护盖, 灰色粉末喷涂	PG29	-	
T1490241132-000	H24B HOUSING, SURFACE MOUNTED, 4 EAR, M32, HIGH CONSTRUCTION, METAL PROTECTION COVER, POWDER COATED, GREY H24B外壳, 表面安装, 4耳, M32, 高结构, 带金属保护盖, 灰色粉末喷涂	M32	-	
T1490241221-000	H24B HOUSING, SURFACE MOUNTED, 4 EAR, 2PG21, HIGH CONSTRUCTION, METAL PROTECTION COVER, POWDER COATED, GREY H24B外壳, 表面安装, 4耳, 2PG21, 高结构, 带金属保护盖, 灰色粉末喷涂	PG21	PG21	
T1490241229-000	H24B HOUSING, SURFACE MOUNTED, 4 EAR, 2PG29, HIGH CONSTRUCTION, METAL PROTECTION COVER, POWDER COATED, GREY H24B外壳, 表面安装, 4耳, 2PG29, 高结构, 带金属保护盖, 灰色粉末喷涂	PG29	PG29	
T1490241232-000	H24B HOUSING, SURFACE MOUNTED, 4 EAR, 2M32, HIGH CONSTRUCTION, METAL PROTECTION COVER, POWDER COATED, GREY H24B外壳, 表面安装, 4耳, 2M32, 高结构, 带金属保护盖, 灰色粉末喷涂	M32	M32	
PART NUMBER	DESCRIPTION	IG1	IG2	TYPE

THIS DRAWING IS A CONTROLLED DOCUMENT.

DWN DAVID LI 17 JUN 2015	TE Connectivity
CHK CHRIS WANG 17 JUN 2015	
APVD XU XIANG 17 JUN 2015	
PRODUCT SPEC 108-137013	
APPLICATION SPEC 114-137013	NAME H24B-SDRH/SDRHM-BO-PG/M
WEIGHT -	SIZE A2
CUSTOMER DRAWING	SCALE 3:4
	SHEET 2 OF 2
	REV C